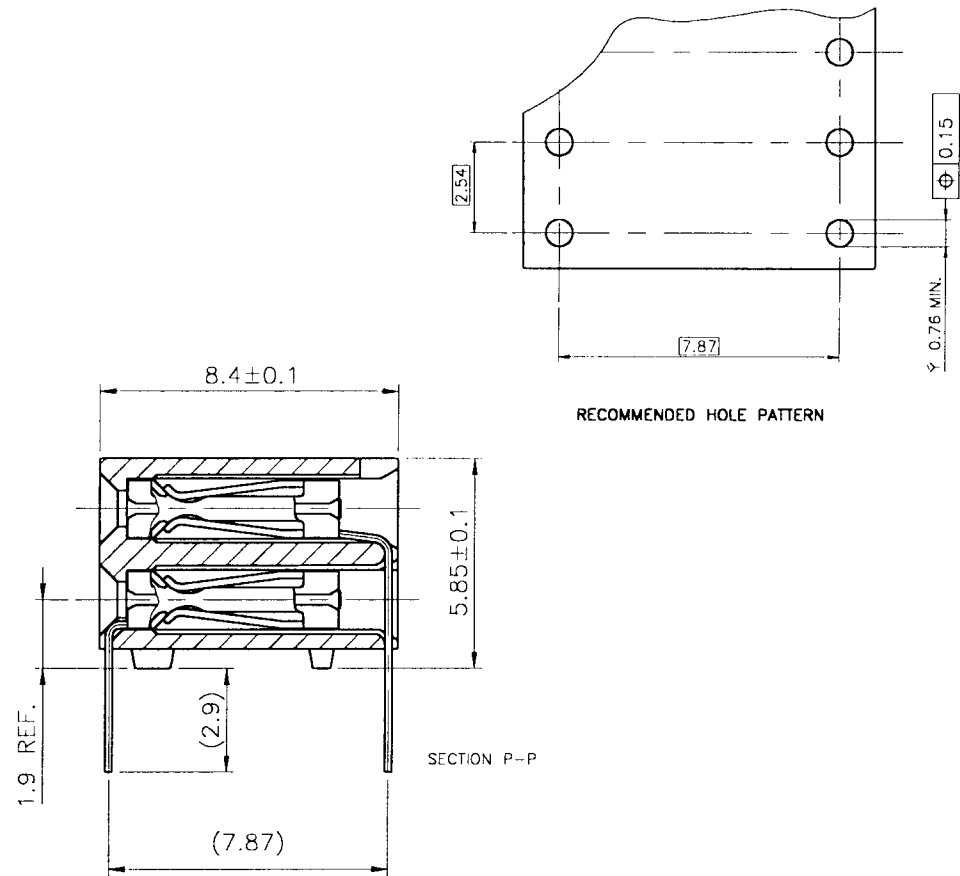
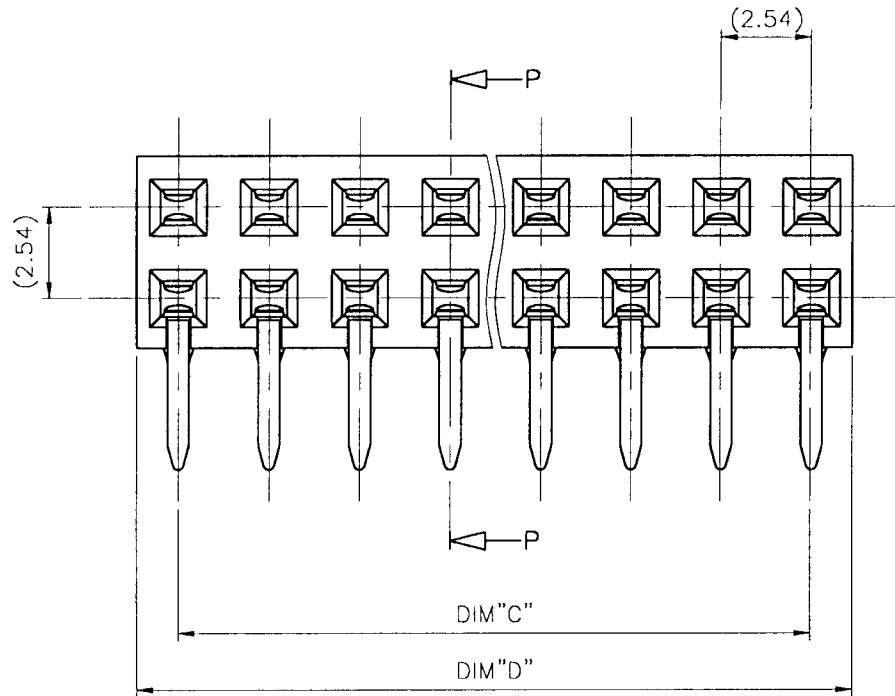


PRODUCT NUMBER	DIM "C"	DIM "D"
98403-YXX	SEE SHEET 2/2	



- NOTES:
- 1 - MATERIAL HOUSING: THERMOPLASTIC POLYESTER, 30% GLASS FILLED, COLOUR BLUE. FLAME RETARDANT PER UL-94 CATEGORY V0.
  - 2 - MATERIAL TERMINAL: PHOSPHOR BRONZE.
  - 3 - SEE SHEET 213 2/2 FOR DIM "C" AND DIM "D".

98403-BXX	0.4 μm 15 μm	Au MIN. OVER	1.3 μm 50 μm	Ni MIN.	SnPb OVER Ni
98403-4XX	5 μm 200 μm	SnPb MIN. OVER	0.1 μm 4 μm	Ni MIN.	SnPb OVER Ni
98403-3XX	0.75 μm 30 μm	Au MIN. OVER	1.3 μm 50 μm	Ni MIN.	SnPb OVER Ni
PLATING CODE	CONTACT AREA		SOLDER TAIL		
PLATING EXPLANATION					

part code		SEE NOTES		tolerances unless otherwise specified		CUSTOMER COPY		F C I ELECTRONICS	
Utr	ech. no.	gr	date	linear	angles	projection	file	www.fciconnect.com	
A	F90370	LMU	99.05.28				DUBOX HCC		
							D.R. 7.87 center legs		
				gr	L. MULIN 99.05.28	mm	product family	DUBOX	code
				engr	P. NUZZI 99.05.28		size / dwg no		213
				str	J.F. NOTTEAU 99.05.28	scale			sheet
				appr	RNZ 99.05.28	10/1	Az	98403	1 of 2
sheet index	revision	A	A						
	sheet	1	2						

PRODUCT NUMBER	NBR OF POS.	DIM"C"	DIM"D"
98403-Y02	2 X 02	2.54 / .100	5.00 / .197
98403-Y03	2 X 03	5.08 / .200	7.54 / .297
98403-Y04	2 X 04	7.62 / .300	10.08 / .397
98403-Y05	2 X 05	10.16 / .400	12.62 / .497
98403-Y06	2 X 06	12.70 / .500	15.16 / .597
98403-Y07	2 X 07	15.24 / .600	17.70 / .697
98403-Y08	2 X 08	17.78 / .700	20.24 / .797
98403-Y09	2 X 09	20.32 / .800	22.78 / .897
98403-Y10	2 X 10	22.86 / .900	25.32 / .997
98403-Y11	2 X 11	25.40 / 1.000	27.86 / 1.097
98403-Y12	2 X 12	27.94 / 1.100	30.40 / 1.197
98403-Y13	2 X 13	30.48 / 1.200	32.94 / 1.297
98403-Y14	2 X 14	33.02 / 1.300	35.48 / 1.397
98403-Y15	2 X 15	35.56 / 1.400	38.02 / 1.497
98403-Y16	2 X 16	38.10 / 1.500	40.56 / 1.597
98403-Y17	2 X 17	40.64 / 1.600	43.10 / 1.697
98403-Y18	2 X 18	43.18 / 1.700	45.64 / 1.797
98403-Y19	2 X 19	45.72 / 1.800	48.18 / 1.897
98403-Y20	2 X 20	48.26 / 1.900	50.72 / 1.997
98403-Y21	2 X 21	50.80 / 2.000	53.26 / 2.097
98403-Y22	2 X 22	53.34 / 2.100	55.80 / 2.197
98403-Y23	2 X 23	55.88 / 2.200	58.34 / 2.297
98403-Y24	2 X 24	58.42 / 2.300	60.88 / 2.397
98403-Y25	2 X 25	60.96 / 2.400	63.42 / 2.497
98403-Y26	2 X 26	63.50 / 2.500	65.96 / 2.597
98403-Y27	2 X 27	66.04 / 2.600	68.50 / 2.697
98403-Y28	2 X 28	68.58 / 2.700	71.04 / 2.797
98403-Y29	2 X 29	71.12 / 2.800	73.58 / 2.897
98403-Y30	2 X 30	73.66 / 2.900	76.12 / 2.997
98403-Y31	2 X 31	76.20 / 3.000	78.66 / 3.097
98403-Y32	2 X 32	78.74 / 3.100	81.20 / 3.197
98403-Y33	2 X 33	81.28 / 3.200	83.74 / 3.297
98403-Y34	2 X 34	83.82 / 3.300	86.28 / 3.397
98403-Y35	2 X 35	86.36 / 3.400	88.82 / 3.497
98403-Y36	2 X 36	88.90 / 3.500	91.36 / 3.597
98403-Y37	2 X 37	91.44 / 3.600	93.90 / 3.697
98403-Y38	2 X 38	93.98 / 3.700	96.44 / 3.797
98403-Y39	2 X 39	96.52 / 3.800	98.98 / 3.897
98403-Y40	2 X 40	99.06 / 3.900	101.52 / 3.997
98403-Y41	2 X 41	101.60 / 4.000	104.06 / 4.097
98403-Y42	2 X 42	104.14 / 4.100	106.60 / 4.197
98403-Y43	2 X 43	106.68 / 4.200	109.14 / 4.297

PRODUCT NUMBER	NBR OF	DIM"C"	DIM"D"
98403-Y44	2 X 44	109.22 / 4.300	111.68 / 4.397
98403-Y45	2 X 45	111.76 / 4.400	114.22 / 4.497
98403-Y46	2 X 46	114.30 / 4.500	116.76 / 4.597
98403-Y47	2 X 47	116.84 / 4.600	119.30 / 4.697
98403-Y48	2 X 48	119.38 / 4.700	121.84 / 4.797
98403-Y49	2 X 49	121.92 / 4.800	124.38 / 4.897
98403-Y50	2 X 50	124.46 / 4.900	126.92 / 4.997
98403-Y51	2 X 51	127.00 / 5.000	129.46 / 5.097
98403-Y52	2 X 52	129.54 / 5.100	132.00 / 5.197
98403-Y53	2 X 53	132.08 / 5.200	134.54 / 5.297
98403-Y54	2 X 54	134.62 / 5.300	137.08 / 5.397
98403-Y55	2 X 55	137.16 / 5.400	139.62 / 5.497
98403-Y56	2 X 56	139.70 / 5.500	142.16 / 5.597
98403-Y57	2 X 57	142.24 / 5.600	144.70 / 5.697
98403-Y58	2 X 58	144.78 / 5.700	147.24 / 5.797
98403-Y59	2 X 59	147.32 / 5.800	149.78 / 5.897
98403-Y60	2 X 60	149.86 / 5.900	152.32 / 5.997
98403-Y61	2 X 61	152.40 / 6.000	154.86 / 6.097
98403-Y62	2 X 62	154.94 / 6.100	157.40 / 6.197
98403-Y63	2 X 63	157.48 / 6.200	159.94 / 6.297
98403-Y64	2 X 64	160.02 / 6.300	162.48 / 6.397
98403-Y65	2 X 65	162.56 / 6.400	165.02 / 6.497

mat'l code		SFF NOTES		tolerances unless otherwise specified		CUSTOMER COPY		ELECTRONICS	
lth	ec'n no	dt	date	linear		projection	title	www.fciconnect.com	
A	F90370	LMU	99.05.28				DUBOX HCC		
				angles			D.R. 7.87 center legs		
		dr	L.MULIN	99.05.28		mm	product family	DUBOX	code
		engr	P.NIZZI	99.05.28			size	dwg no	213
		chf	JF.NOTTEAU	99.05.28		scale	A2	98403	sheet
		appd	PNZ	99.05.28		10/1			2 of -
sheet	revision								
index	sheet								