

TANTALUM CAPACITORS

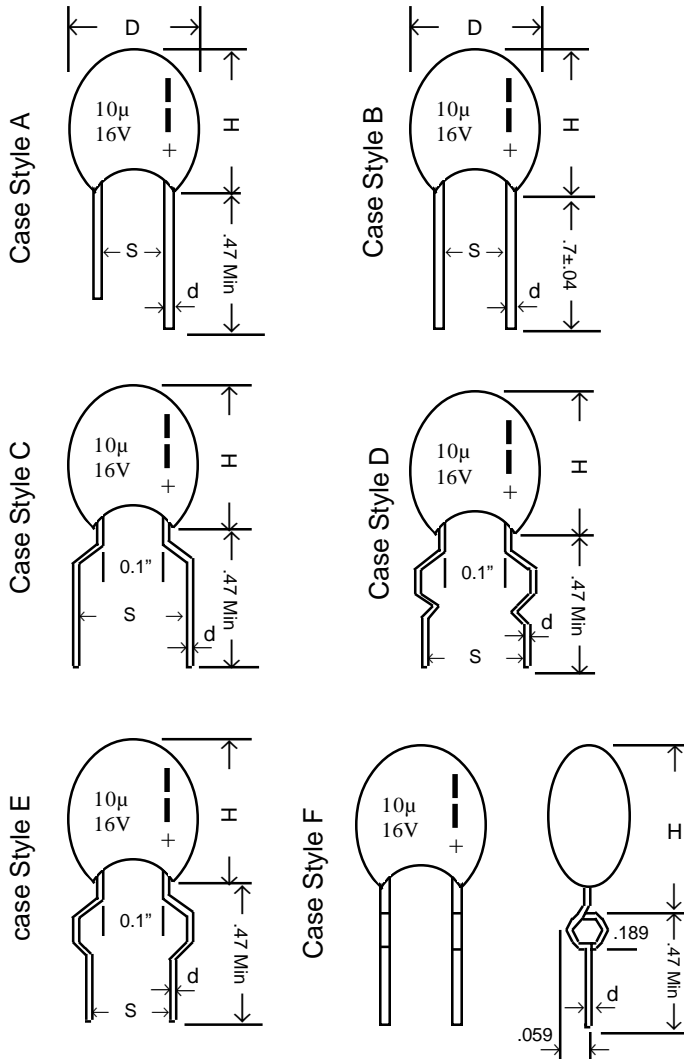
EPOXY RESIN COATED, RADIAL LEADS

TR SERIES



FEATURES

- Epoxy resin dipped, UL94V-0 Flame Retardant
- Excellent Humidity and Solder Resistance
- Laser marked capacitor body
- Several lead-wire forms available

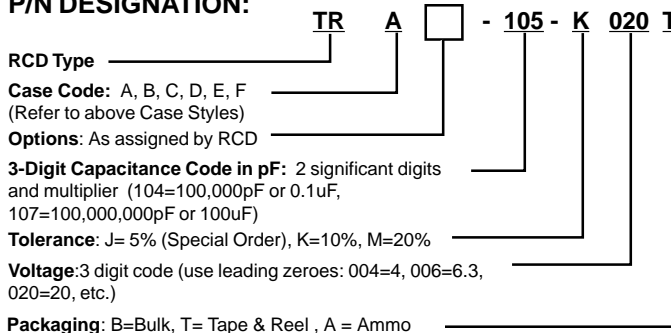


DIMENSIONS

Case Size	D(Max) [mm]	H(Max) [mm]	S (±.04") [mm]	d (±.002") [mm]
A	.180 [4.5]	0.28 [7.0]	0.20 [5.0]	.020 [0.50]
B	.200 [5.0]	.315 [8.0]	0.20 [5.0]	.020 [0.50]
C	.217 [5.5]	.375 [9.5]	.252 [6.4]	.020 [0.50]
D	.256 [6.5]	.433 [11.0]	0.20 [5.0]	.020 [0.50]
E	.335 [8.5]	.512 [13.0]	0.10 [2.5]	.020 [0.50]
F	.375 [9.5]	.650 [16.5]	0.10 [2.5]	.020 [0.50]

RATED VOLTAGE, NOMINAL CAPACITANCE AND CASE SIZES									
Rated Voltage	3	4	6.3	10	16	20	25	35	50
Voltage Derating	2	2.5	4	6.3	10	13	16	20	32
Surge Voltage	4	5.2	8	13	20	26	33	46	65
Capacitance (µF)	Case Code								
0.047								A	A
0.068								A	A
0.1								A	A
0.15								A	A
0.22								A	A
0.33								A	A
0.47								A	A
0.68								A	A
1.0					A	A	A	A	B
1.5					A	A	A	A	C
2.2				A	A	A	A	B	C
3.3			A	A	A	B	B	B	D
4.7	A	A	A	A	B	B	B	C	D
6.8	A	A	A	B	B	C	C	D	D
10	A	A	B	B	B	C	C	D	E
15	A	A	B	C	C	D	D	E	F
22	B	B	C	C	C	D	D	E	F
33	B	B	C	D	D	E	E	F	
47	C	C	D	D	D	E	E	F	
68	D	D	D	D	E	F	F		
100	D	D	E	E	E	F	F		
150	D	E	E	E	F				
220	E	E	E	F					
330	E	F	F						
470	F								
680	F								

P/N DESIGNATION:



SPECIFICATIONS

CAPACITANCE Range (µF)	ΔC FROM INITIAL LIMIT			DISSIPATION FACTOR			
	-55°C	+85°C	+125°C	-55°C	+25°C	+85°C	+125°C
<1.0				6%	4%	6%	6%
1.5 to 68	-10%	+10%	+12%	10%	6%	10%	10%
100 to 680				12%	8%	12%	12%