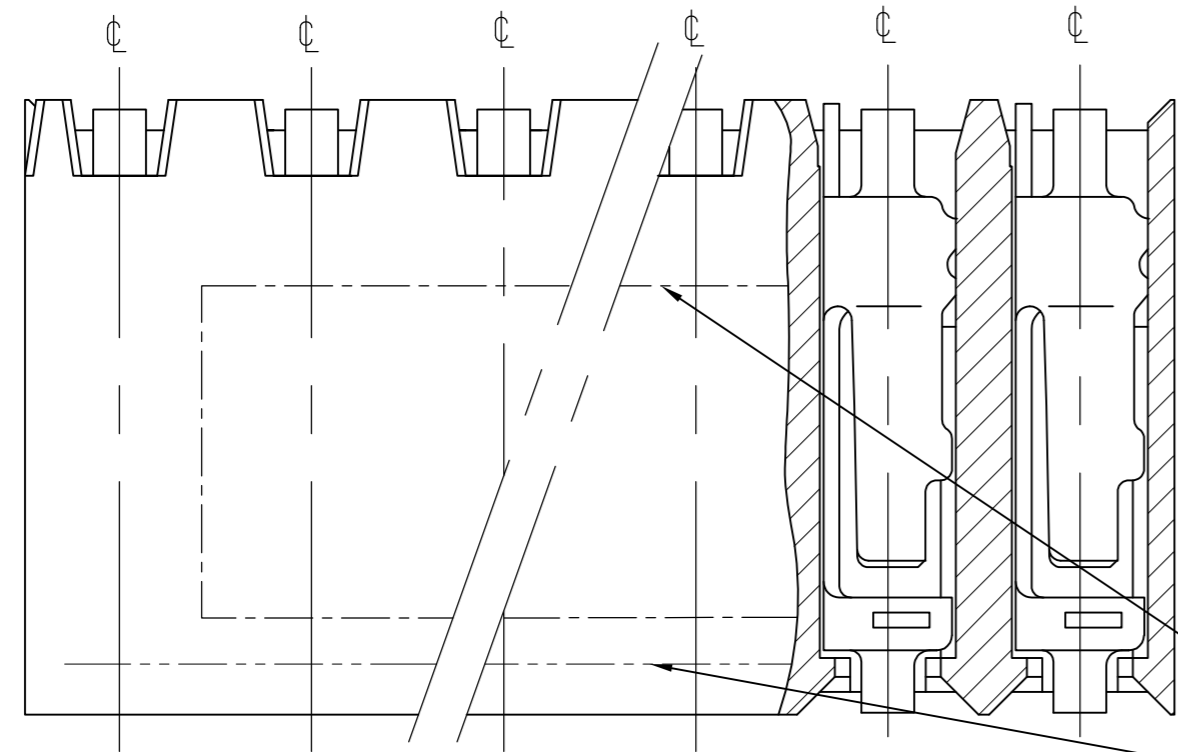


THIS DRAWING IS UNPUBLISHED. RELEASED FOR PUBLICATION Dec., 1991.  
 © COPYRIGHT 1991 BY TYCO ELECTRONICS CORPORATION. ALL INTERNATIONAL RIGHTS RESERVED.

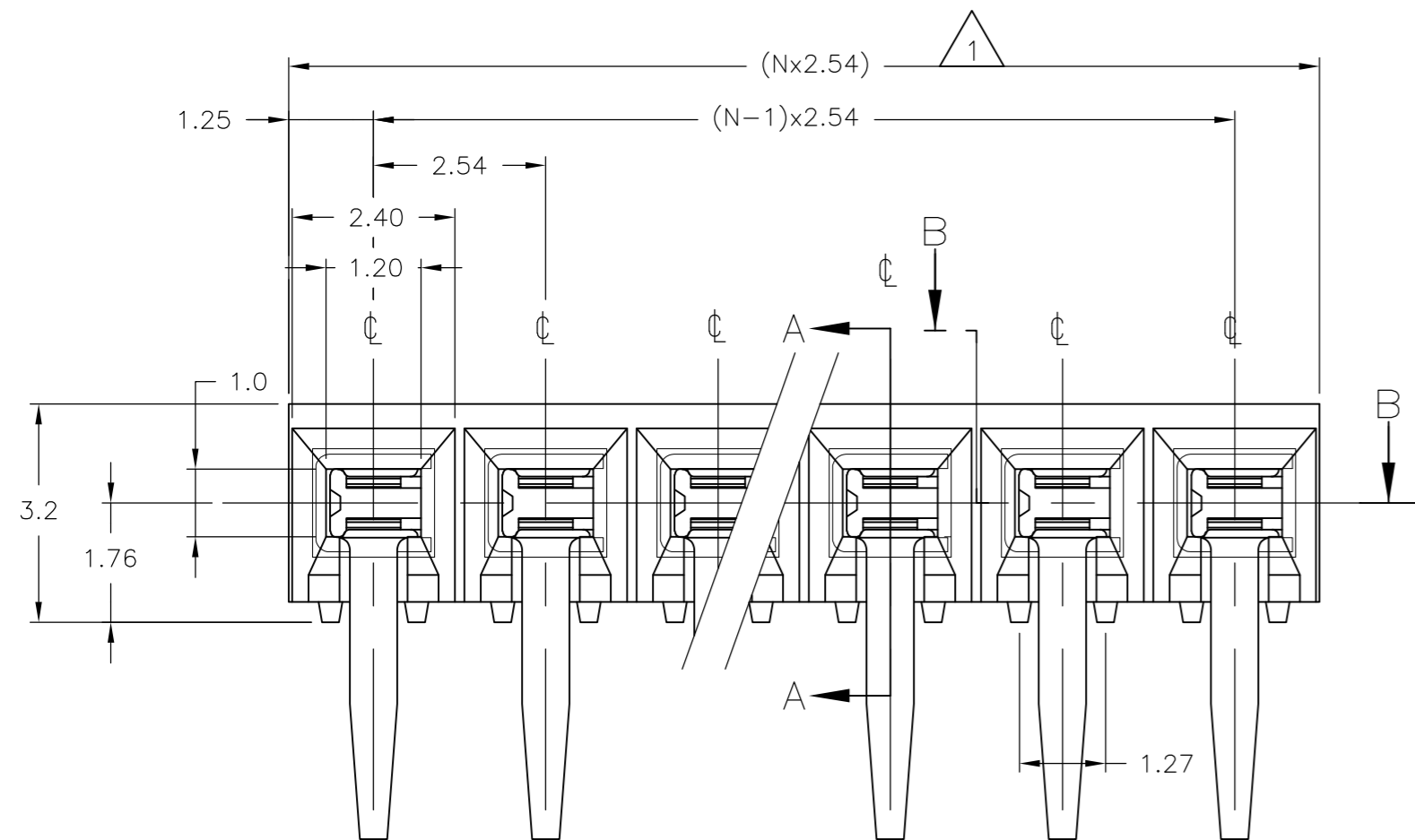
LOC		DIST		REVISIONS			
P	LTR	DESCRIPTION	DATE	DWN	APVD		
IR	-	H2	ECR-09-022923	11OCT2009	SRE	PCH	



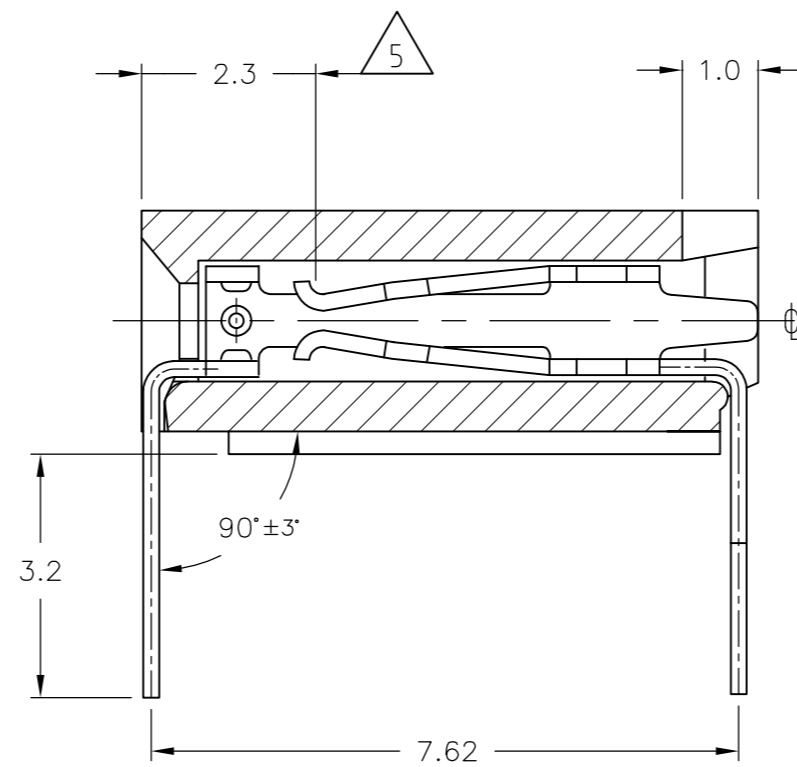
SECTION B-B/TOPVIEW

NOTES:

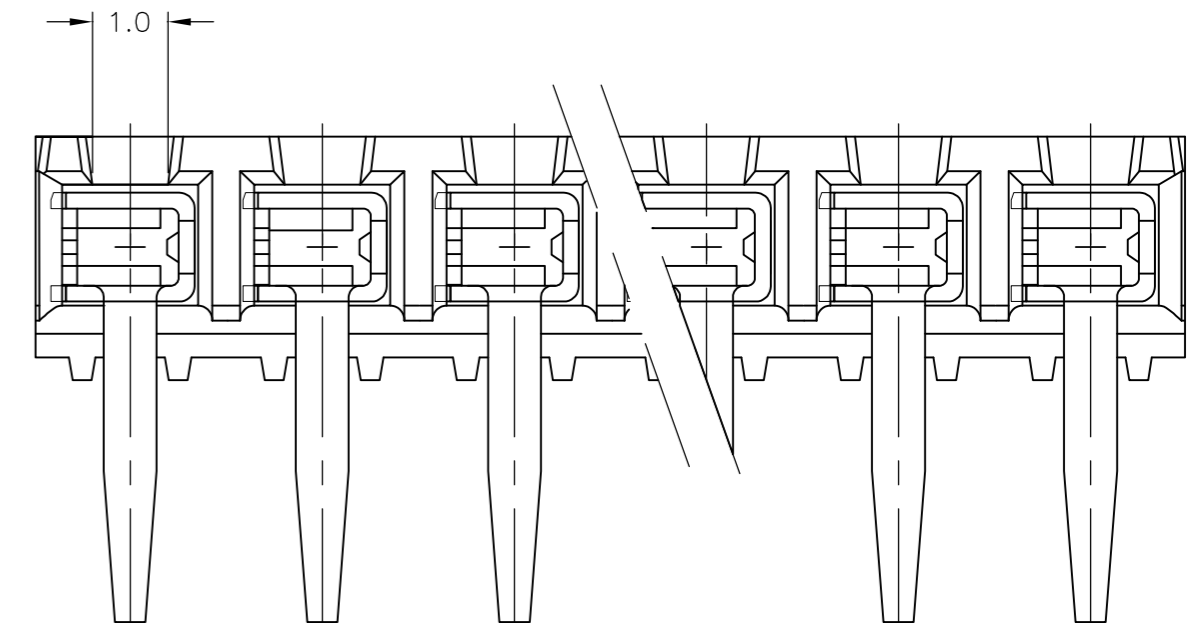
- 1 TO DETERMINE DIMENSION TAKE N= NR. OF POS  
 FOR EXAMPLE, 10 POS.,  $N \times 2.54 = 25.4\text{mm}$ .  
 FOR ORDER NR. USE BASIC NR. + NR. OF POS.  
 FOR EXAMPLE, 2 POS.= 216602-2 (SHORTEST VERSION)  
 65 POS.= 6-216602-5 (LONGEST VERSION)
- 2 HOUSING MATERIAL, GREEN GLASSFILLED POLYESTER, UL 94V-0  
 CONTACT MATERIAL, PHOSPHORBRONZE.
- 3 PLATING, UNDERCOATING, 1.3 $\mu\text{m}$  Ni  
 AT CONT.PLACE, 0.8 $\mu\text{m}$  Au  
 AT SOLDER-TINES, 3.0-5.0 $\mu\text{m}$  TIN
- 4 MATES WITH 0.63 SQUARE/ROUND MODU POSTS
- 5 CONTACT POINT
- 6 RECOMMENDED P.C.BOARD THICKNESS 1.6mm
- 7 PRINTED: BASIC PART NUMBER, THE WORD "AMP", PRODUCTION DATE  
 AND A DASHED LINE OVER THE LENGTH OF HOUSING TO INDICATE  
 CONTACT MATING SIDE



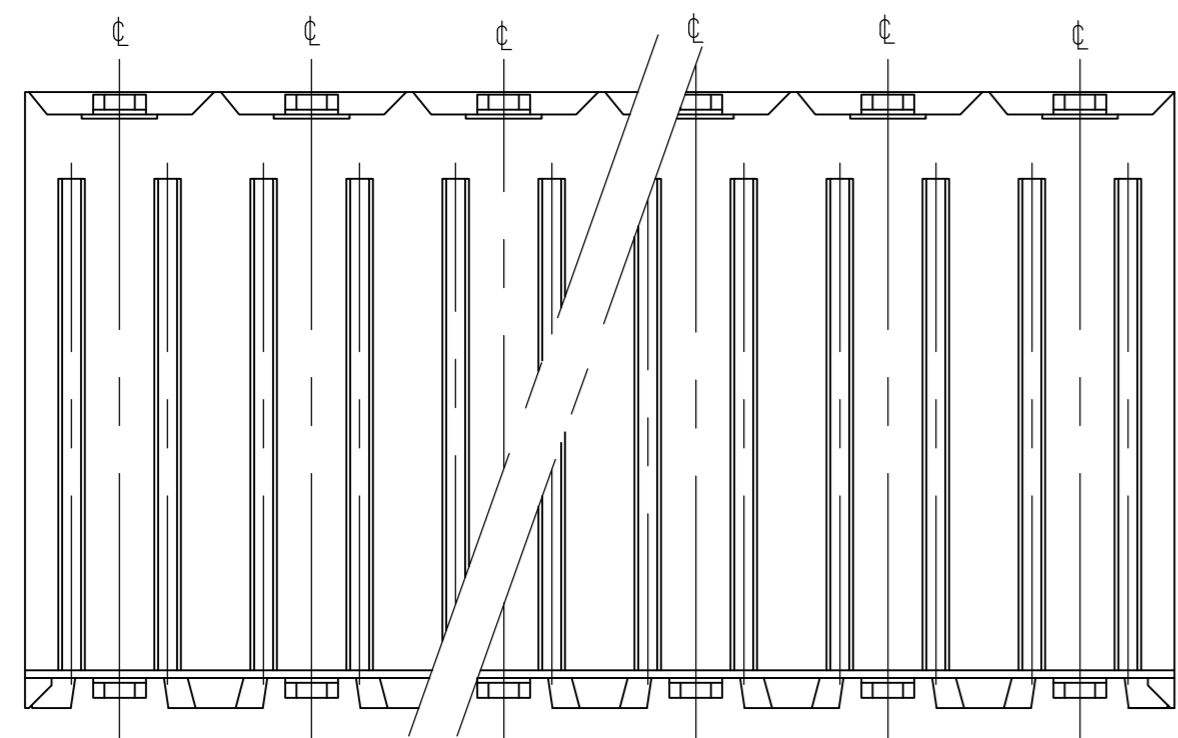
FRONT VIEW



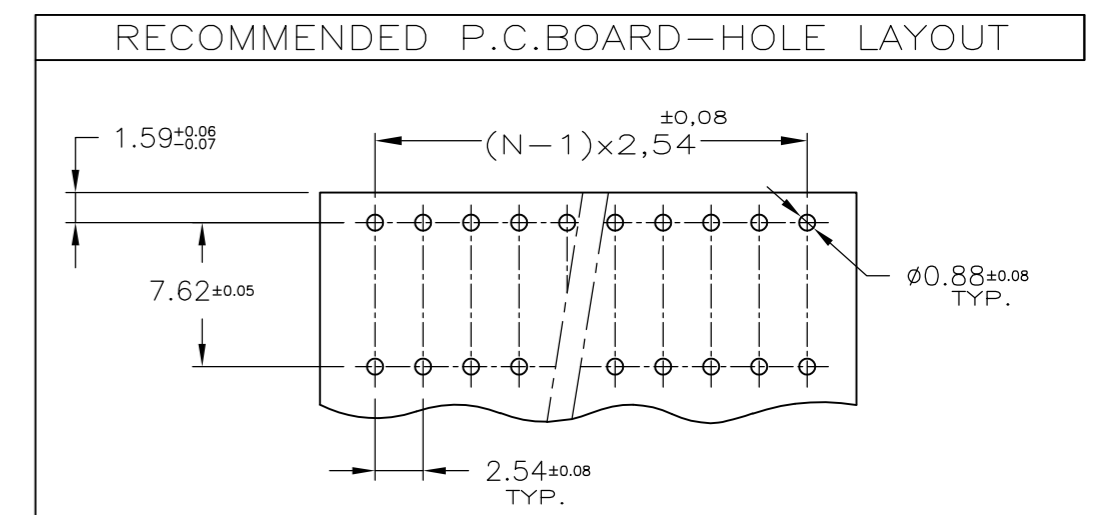
SECTION A-A



REAR VIEW



BOTTOM VIEW



THIS DRAWING IS A CONTROLLED DOCUMENT.		DWN	W.R.ANNOKKEE	19/12/91	Tyco Electronics Corporation Bangalore, India						
DIMENSIONS: mm		CHK	R.T.DE BLIECK	19/12/91							
TOLERANCES UNLESS OTHERWISE SPECIFIED:		APVD	R.SMEETS	19/12/91							
0 PLC ± - 1 PLC ± - 2 PLC ± - 3 PLC ± - 4 PLC ± - ANGLES ± - FINISH		PRODUCT SPEC	108-19072	NAME		HV 190 HOR. ASS'Y SINGLE ROW GOLD VERSION (MAX. 65 POSITION)					
MATERIAL		WEIGHT	-	SIZE	A2	CAGE CODE	00779	DRAWING NO	C=216602	RESTRICTED TO	-
CUSTOMER DRAWING		SCALE	10:1	SHEET	1 OF 1	REV	H2				