

SPECIFICATIONS

Friction Header Connector

Mechanical

Contact Retention Force: 910gf min.
Durability: 500 Cycles

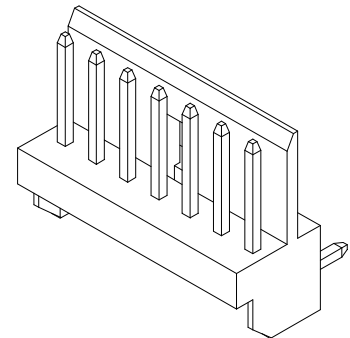
HF44 Series
Friction R/A Type
2.5mm [.100"] Pitch

Electrical

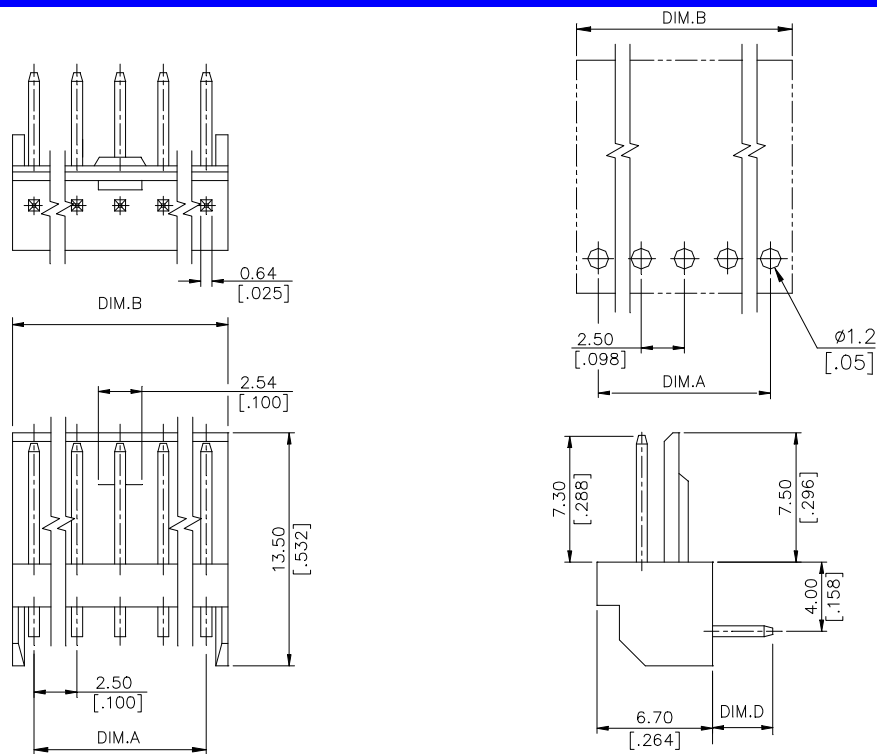
Voltage Rating: 250V
Current Rating: 1A per pin min.
Contact Resistance: 30mW max.
Dielectric Withstanding Voltage: 750V AC
Insulation Resistance: 1000MW min.

Physical

Housing: Thermoplastic, Glass Filled, UL94V-0 rated
Contact: Brass
Plating: See "ORDERING INFORMATION"
Operating Temperature: -55 to +105

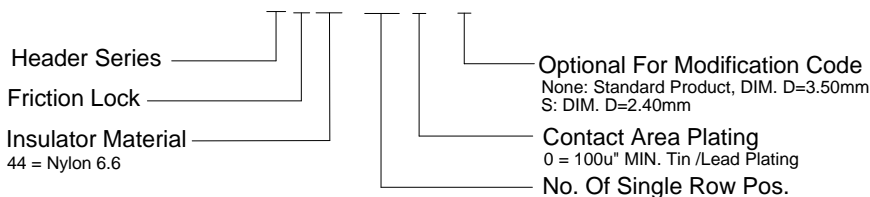


DRAWING



ORDERING INFORMATION

PRODUCT NO.: HF44 * * * - *



See Attachment



HF44120- *	12	27.50 [1.082]	30.00 [1.181]
HF44110- *	11	25.00 [.984]	27.50 [1.082]
HF44100- *	10	22.50 [.885]	25.00 [.984]
HF44090- *	9	20.00 [.787]	22.50 [.885]
HF44080- *	8	17.50 [.688]	20.00 [.787]
HF44070- *	7	15.00 [.590]	17.50 [.688]
HF44060- *	6	12.50 [.492]	15.00 [.590]
HF44050- *	5	10.00 [.393]	12.50 [.492]
HF44040- *	4	7.50 [.295]	10.00 [.393]
HF44030- *	3	5.00 [.196]	7.50 [.295]
PROD. NO.	NO. OF POS.	DIM.A	DIM.B