

REV.	SPECIFICATION	ECN NO.	APPD.
R3		ECN140707	

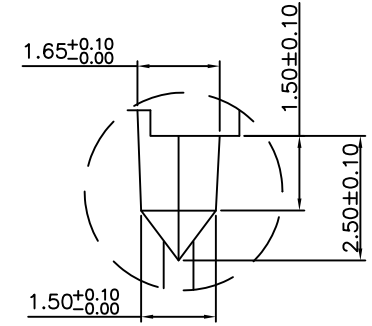
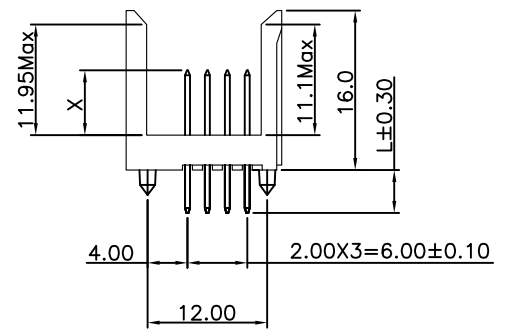
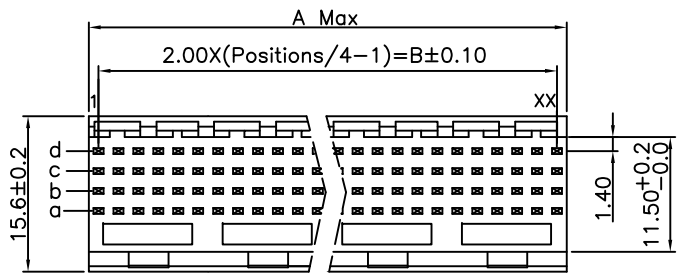
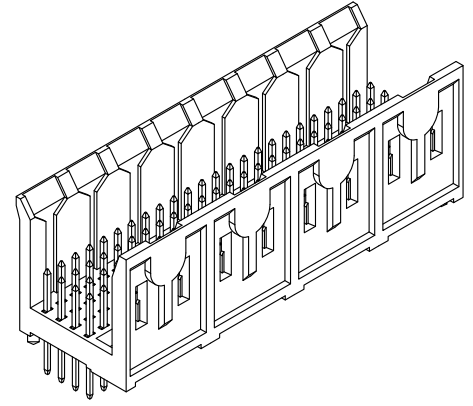
Material:

Housing: High Temperature Plastic UL94V-0
 Contacts: Copper Alloy.

Electrical Characteristics:

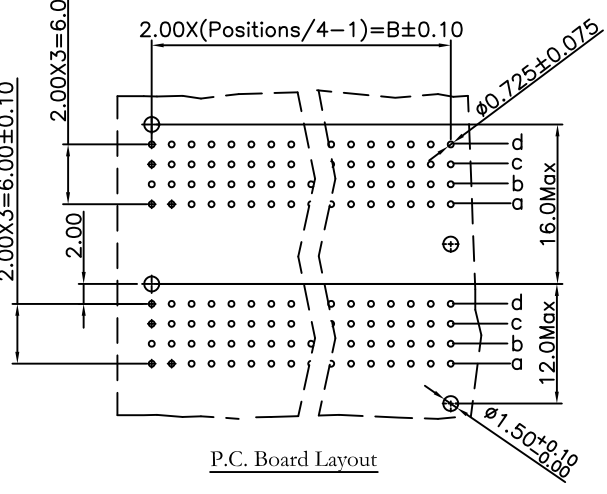
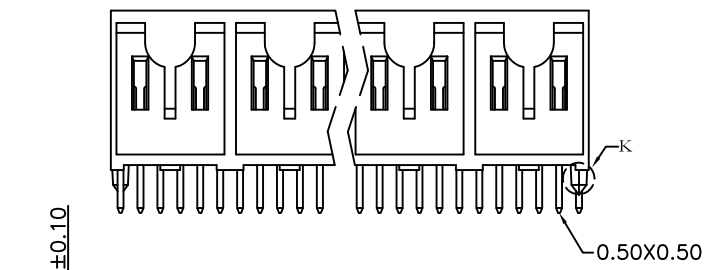
Current Rating: 1 AMP.
 Dielectric Withstanding Voltage: AC 1000V For 1 minute.
 Insulator Resistance: 1000MΩ min. at DC 500V.
 Contact Resistance: 30mΩ max. at DC 100mA.
 Operating Temperature: -55°C~+125°C .

***RoHS Compliant**



Detail K
(S=5/1)

9111- 4 1 xx x C xx D U
 Series: 4: 4Rows
 1: Male Signal
 Position: A: A~V See Dimension
 C: Dip Tin
 Contact Gold
 G: Gold Plated
 U: Tube Package
 D: Dip Type
 10: 10μ"
 30: 30μ"



P/N.	L	X
9111-41xxACxxD	4.3	5.00
9111-41xxBCxxD		5.75
9111-41xxECxxD		6.50
9111-41xxFCxxD		7.25
9111-41xxHCxxD		8.00
9111-41xxJCxxD	13.6	5.00
9111-41xxKCxxD		5.75
9111-41xxLCxxD		6.50
9111-41xxMCxxD		7.25
9111-41xxNCxxD		8.00
9111-41xxRCxxD	17.0	5.00
9111-41xxSCxxD		5.75
9111-41xxTCxxD		6.50
9111-41xxUCxxD		7.25
9111-41xxVCxxD		8.00

Position (XX)	Dimension	
	A	B
24	11.95	10
48	23.95	22
72	35.95	34
96	47.95	46
120	59.95	58
144	71.95	70
168	83.95	82
192	95.95	94

Tolerances	Dwg. No.	9111D41001
x = ±0.5	Projection	
.x = ±0.25	Unit	mm
.xx = ±0.15	Scale	1:1
	Drawn By	YQ 08/27'14

Title: 9111 Series
 H.D.2.0mm(0.079") Futurebus(+)
 4 Rows Male Straight Type

OUPIIN
OUPIIN ELECTRONIC(KUNSHAN) CO., LTD.
 P/N: 9111-41xxxCxxDU
 SHEET 1/1 Ver.No. R3