

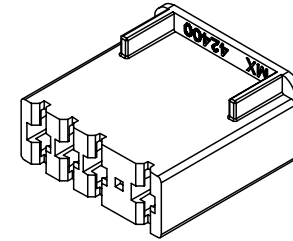
13 12 11 10 9 8 7 6 5 4 3 2 1

J
I
H
G
F
E
D
C
B
A

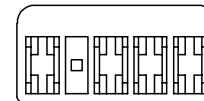
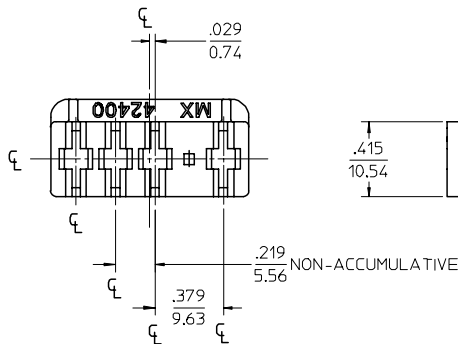
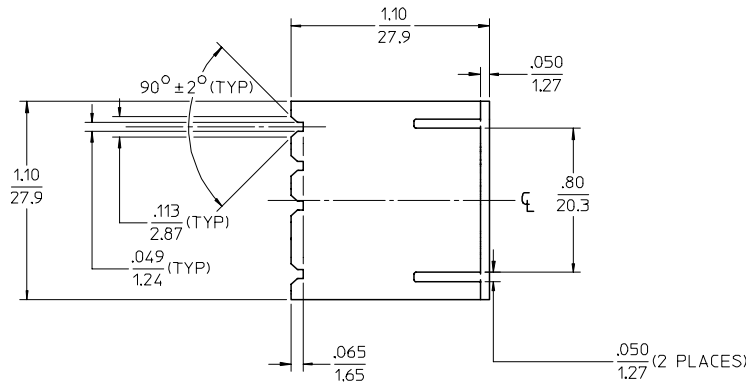
J
I
H
G
F
E
D
C
B
A

NOTES:

1. MATERIAL: SEE CHART ON SHEET 3
2. FINISH: NONE
3. PRODUCT SPECIFICATION: NONE
4. HOUSING MATES TO .032±.0005/0.81±0.013 THICK BY .250/6.35 WIDE BY .31/7.9 LONG SPADE TERMINALS. MAXIMUM LENGTH OF SPADE TERMINALS TO BE .450/11.43.
5. USE TERMINALS: ENG. NO. 41422-3* & -5*.
6. PARTS CONFORM TO CLASS 'B' REQUIREMENTS OF COSMETIC SPECIFICATION PS-45499-002.



42400-000*



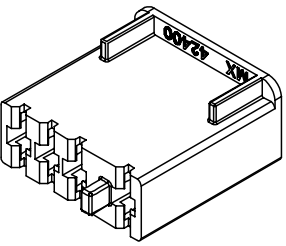
ANGLE TOLERANCE FCC NO: UCP2008-1155 2007/11/20 DRWNL:LSCHM1DT 2007/11/20 CHKD:ADERR 2007/11/20 APPR:FSM TH 2007/11/20 REVISION DESCRIPTION	QUALITY SYMBOLS = 0 = 0.010	GENERAL TOLERANCES (UNLESS SPECIFIED)	DIMENSION STYLE IN/MM	SCALE 2:1	DESIGN UNITS INCH	THIRD ANGLE PROJECTION																											
		<table border="1"> <thead> <tr> <th></th> <th>mm</th> <th>INCH</th> </tr> </thead> <tbody> <tr> <td>4 PLACES</td> <td>± .010</td> <td>± .0004</td> </tr> <tr> <td>3 PLACES</td> <td>± .014</td> <td>± .0005</td> </tr> <tr> <td>2 PLACES</td> <td>± 0.25</td> <td>± .010</td> </tr> <tr> <td>1 PLACE</td> <td>± 0.35</td> <td>± .014</td> </tr> </tbody> </table>		mm	INCH	4 PLACES	± .010	± .0004	3 PLACES	± .014	± .0005	2 PLACES	± 0.25	± .010	1 PLACE	± 0.35	± .014	<table border="1"> <thead> <tr> <th>DRAWN BY</th> <th>DATE</th> </tr> </thead> <tbody> <tr> <td>MAB</td> <td>1995/06/09</td> </tr> <tr> <th>CHECKED BY</th> <th>DATE</th> </tr> <tr> <td>KBP</td> <td>1995/06/09</td> </tr> <tr> <th>APPROVED BY</th> <th>DATE</th> </tr> <tr> <td>RAS</td> <td>1995/06/09</td> </tr> </tbody> </table>	DRAWN BY	DATE	MAB	1995/06/09	CHECKED BY	DATE	KBP	1995/06/09	APPROVED BY	DATE	RAS	1995/06/09	TITLE 4 CIRCUIT CONNECTOR HOUSING		
		mm	INCH																														
	4 PLACES	± .010	± .0004																														
3 PLACES	± .014	± .0005																															
2 PLACES	± 0.25	± .010																															
1 PLACE	± 0.35	± .014																															
DRAWN BY	DATE																																
MAB	1995/06/09																																
CHECKED BY	DATE																																
KBP	1995/06/09																																
APPROVED BY	DATE																																
RAS	1995/06/09																																
	DRAFT WHERE APPLICABLE MUST REMAIN WITHIN DIMENSIONS	SEE CHART	MOLEX INCORPORATED	MATERIAL NO. SD-42400-*00*	DOCUMENT NO. SD-42400-*00*	SHEET NO. 1 OF 3																											

12 11 10 9 8 7 6 5 4 3 2 1

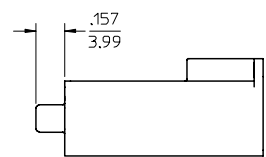
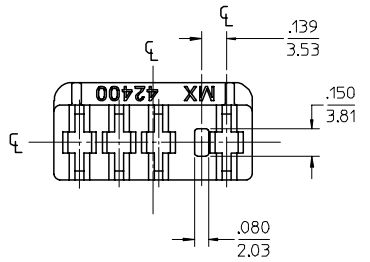
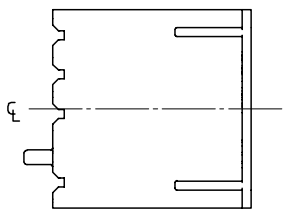
13 12 11 10 9 8 7 6 5 4 3 2 1

J
I
H
G
F
E
D
C
B
A

J
I
H
G
F
E
D
C
B
A



42400-100*



42400-100*
SEE SHEET 1 FOR DIMENSIONS NOT SHOWN

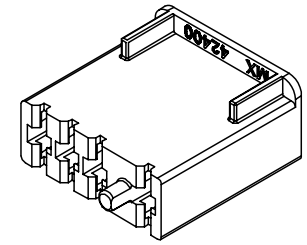
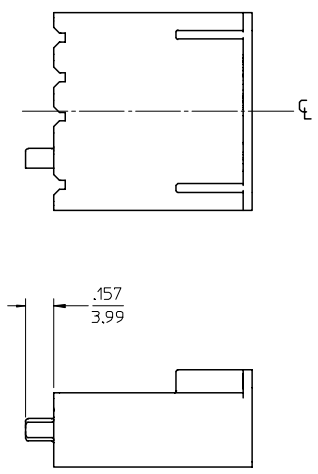
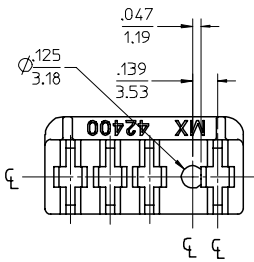
SEE SHEET 1 FC NO: UCP2008-1155 DRAWN: LSCHMIDT 2007/11/20 CHKD: ADERR 2007/11/20 APPR: FSM TH 2007/11/20 REV DESCRIPTION	QUALITY SYMBOLS	GENERAL TOLERANCES (UNLESS SPECIFIED)	DIMENSION STYLE	SCALE	DESIGN UNITS	THIRD ANGLE PROJECTION
	▽=0 ▽=0	mm INCH 4 PLACES ± --- ± --- 3 PLACES ± --- ± .010 2 PLACES ± 0.25 ± .014 1 PLACE ± 0.35 ± --- ANGULAR ± 1 °	IN/MM	2:1	INCH	☉ □ THIRD ANGLE PROJECTION
		DRAFT WHERE APPLICABLE MUST REMAIN WITHIN DIMENSIONS	DRAWN BY DATE MAB 1995/06/09 CHECKED BY DATE KBP 1995/06/09 APPROVED BY DATE RAS 1995/06/09 MATERIAL NO. SEE CHART SIZE C	TITLE	4 CIRCUIT CONNECTOR HOUSING MOLEX INCORPORATED SD-42400-*00* SHEET NO. 2 OF 3	
			THIS DRAWING CONTAINS INFORMATION THAT IS PROPRIETARY TO MOLEX INCORPORATED AND SHOULD NOT BE USED WITHOUT WRITTEN PERMISSION			

12 11 10 9 8 7 6 5 4 3 2 1

13 12 11 10 9 8 7 6 5 4 3 2 1

J
I
H
G
F
E
D
C
B
A

ENG. NUMBER	E.D.P. NUMBER	NUMBER CIRCUITS	MATERIAL	COLOR	COMMENTS
42400-0001	06-02-3042	4	UL94 V-2 NYLON	NATURAL	NO PEG (SHT.1)
42400-0003	42400-0003	4	UL94 V-0 NYLON	WHITE	NO PEG (SHT.1)
42400-0004	42400-0004	4	UL94 V-0 NYLON	BLACK	NO PEG (SHT.1)
42400-1003	42400-1003	4	UL94 V-0 NYLON	WHITE	SQUARE PEG (SHT.2)
42400-1004	42400-1004	4	UL94 V-0 NYLON	BLACK	SQUARE PEG (SHT.2)
42400-2001	42400-2001	4	UL94 V-2 NYLON	NATURAL	ROUND PEG (SHT.3)
42400-2003	42400-2003	4	UL94 V-0 NYLON	WHITE	ROUND PEG (SHT.3)
42400-2004	42400-2004	4	UL94 V-0 NYLON	BLACK	ROUND PEG (SHT.3)



42400-200*

42400-200*
SEE SHEET 1 FOR DIMENSIONS NOT SHOWN

SEE SHEET 1 FCC NO: UCP2008-1155 DRW: NLSCHMIDT 2007/11/20 CHKD: ADERR 2007/11/20 APPR: FSM TH 2007/11/20 REV DESCRIPTION	QUALITY SYMBOLS ▽=0 ▽=0	GENERAL TOLERANCES (UNLESS SPECIFIED) <table border="1"> <thead> <tr> <th></th> <th>mm</th> <th>INCH</th> </tr> </thead> <tbody> <tr> <td>4 PLACES</td> <td>± .010</td> <td>± .0004</td> </tr> <tr> <td>3 PLACES</td> <td>± .015</td> <td>± .0006</td> </tr> <tr> <td>2 PLACES</td> <td>± 0.25</td> <td>± .010</td> </tr> <tr> <td>1 PLACE</td> <td>± 0.35</td> <td>± .014</td> </tr> </tbody> </table> ANGULAR ± 1 °		mm	INCH	4 PLACES	± .010	± .0004	3 PLACES	± .015	± .0006	2 PLACES	± 0.25	± .010	1 PLACE	± 0.35	± .014	DIMENSION STYLE IN/MM DRAWN BY DATE MAB 1995/06/09 CHECKED BY DATE KBP 1995/06/09 APPROVED BY DATE RAS 1995/06/09 MATERIAL NO. DOCUMENT NO.	SCALE 2:1 DESIGN UNITS INCH THIRD ANGLE PROJECTION	TITLE 4 CIRCUIT CONNECTOR HOUSING MOLEX INCORPORATED SD-42400-*00* SHEET NO. 3 OF 3
		mm	INCH																	
	4 PLACES	± .010	± .0004																	
	3 PLACES	± .015	± .0006																	
2 PLACES	± 0.25	± .010																		
1 PLACE	± 0.35	± .014																		
DRAFT WHERE APPLICABLE MUST REMAIN WITHIN DIMENSIONS		SEE CHART	THIS DRAWING CONTAINS INFORMATION THAT IS PROPRIETARY TO MOLEX INCORPORATED AND SHOULD NOT BE USED WITHOUT WRITTEN PERMISSION																	

12 11 10 9 8 7 6 5 4 3 2 1