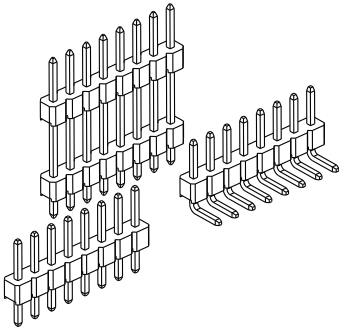


RoHS



## K200PX Series

### 2.0MM Pin Header Single Row

#### Features

- Offered as Right angle or Straight Header
- 0.079" spacing for real estate savings
- Multiple stack height options
- Circuit sizes range from 2-40

#### Performance Specifications

##### Material and Finish

**Housing** : High Temp plastic (UL94V-0)

**Contact** : Copper Alloy

**Plated** : Gold Plated

##### Electrical Characteristics

**Current Rating** : 2.0A AC/DC

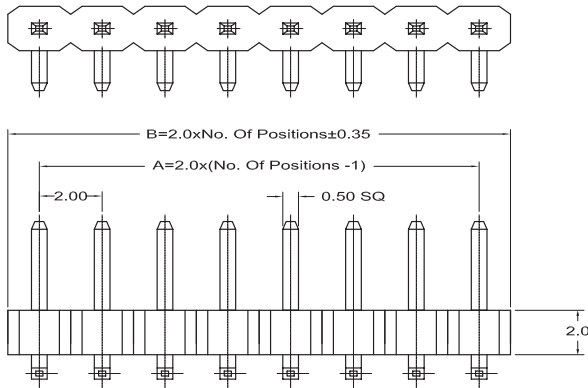
**Voltage Rating** : 250V AC/DC

**Resistance** : 20m ohm.max.

**Insulation Resistance** : 1000M ohm.Min.

**Withstanding Voltage** : 500V AC for one minute

**Operating Temperature Range** : -40°C to +105°C



## 2.0MM Pin Header Single Row

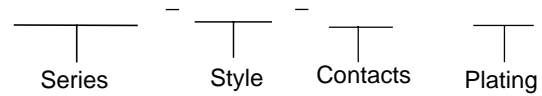
### K200PX Series

#### Documentation & Ordering Information

|  |  |  |
|--|--|--|
|  |  |  |
|  |  |  |

Kycon Part #

#### Part Number Builder



##### Series

K200PX - 2.0 Pin Header Single Row

##### Style



R1 - Right Angle

S1 - Straight Type

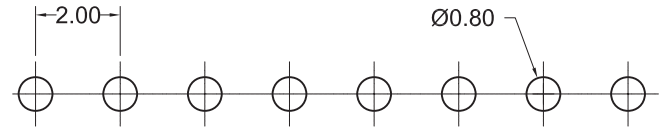
##### Number of Contacts

| Contacts | A    | B    | Contacts | A    | B    | Contacts | A    | B    | Contacts | A    | B    |
|----------|------|------|----------|------|------|----------|------|------|----------|------|------|
| 02       | 2.0  | 4.0  | 12       | 22.0 | 24.0 | 22       | 42.0 | 44.0 | 32       | 62.0 | 64.0 |
| 03       | 4.0  | 6.0  | 13       | 24.0 | 26.0 | 23       | 44.0 | 46.0 | 33       | 64.0 | 66.0 |
| 04       | 6.0  | 8.0  | 14       | 26.0 | 28.0 | 24       | 46.0 | 48.0 | 34       | 66.0 | 68.0 |
| 05       | 8.0  | 10.0 | 15       | 28.0 | 30.0 | 25       | 48.0 | 50.0 | 35       | 68.0 | 70.0 |
| 06       | 10.0 | 12.0 | 16       | 30.0 | 32.0 | 26       | 50.0 | 52.0 | 36       | 70.0 | 72.0 |
| 07       | 12.0 | 14.0 | 17       | 32.0 | 34.0 | 27       | 52.0 | 54.0 | 37       | 72.0 | 74.0 |
| 08       | 14.0 | 16.0 | 18       | 34.0 | 36.0 | 28       | 54.0 | 56.0 | 38       | 74.0 | 76.0 |
| 09       | 16.0 | 18.0 | 19       | 36.0 | 38.0 | 29       | 56.0 | 58.0 | 39       | 76.0 | 78.0 |
| 10       | 18.0 | 20.0 | 20       | 38.0 | 40.0 | 30       | 58.0 | 60.0 | 40       | 78.0 | 80.0 |
| 11       | 20.0 | 22.0 | 21       | 40.0 | 42.0 | 31       | 60.0 | 62.0 |          |      |      |

##### Plating

G - Gold

Contact Kycon for more options



#### PCB Layout Reference