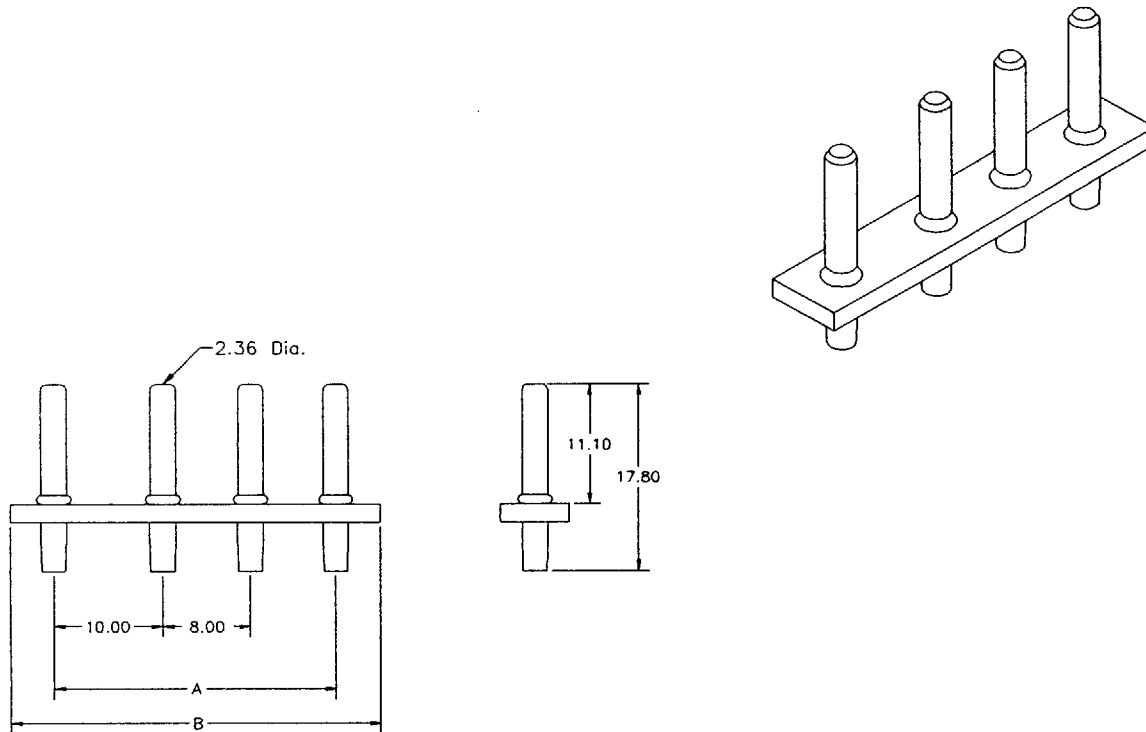


8.0mm (0.315") Power Wafer

KH Series

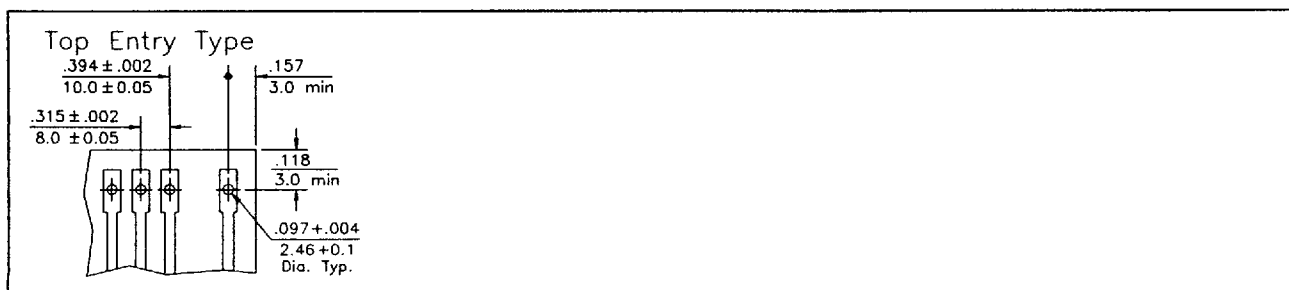
Top Entry Type



Circuits	Model No.		Dimension mm	
	Top Entry	Side Entry	A	B
1	KH-T- 1	KH-S- 1	2.0	5.9
2	KH-T- 2	KH-S- 2	2.0	5.9
3	KH-T- 3	KH-S- 3	4.0	7.9

Circuits	Model No.		Dimension mm	
	Top Entry	Side Entry	A	B
4	KH-T- 4	KH-S- 4	6.0	9.9
5	KH-T- 5	KH-S- 5	8.0	11.9
6	KH-T- 6	KH-S- 6	10.0	13.9

DIP Type P.C.Board Layout



SINGATRON ENT. CO., LTD. Tel.: (909) 464-1883 Fax.: (909) 464-1884

■ 9011184 0000184 78T ■