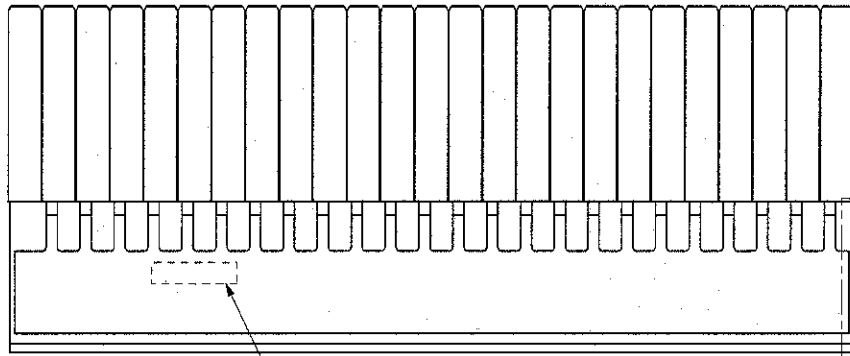


DO NOT SCALE  
DIMENSIONS IN mm

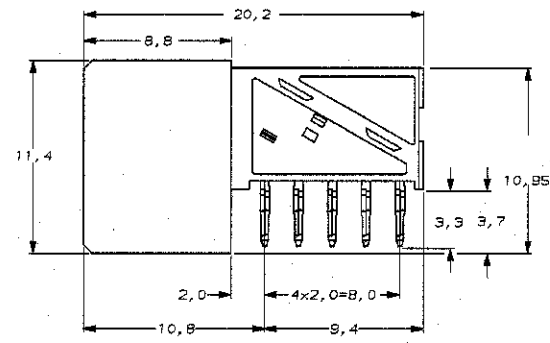
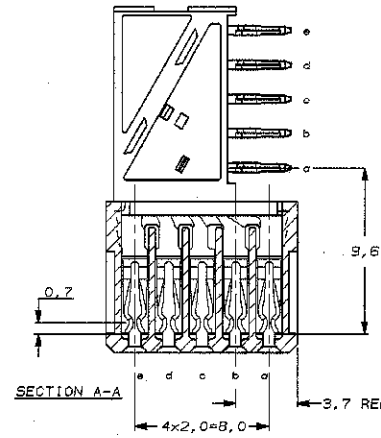
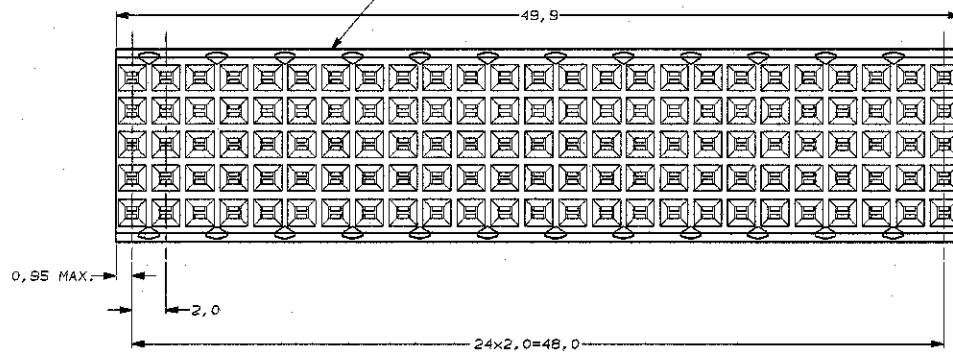
METRIC

THIRD ANGLE  
PROJECTION

25



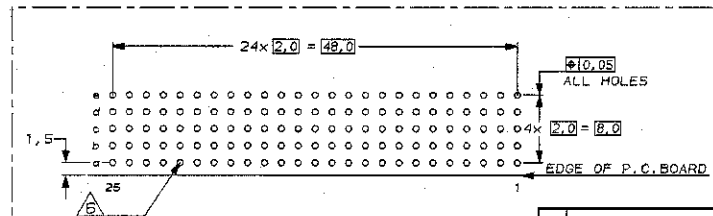
PRINTING AREA (THIS SIDE)



THIS DRAWING IS  
PRELIMINARY

NOTES:

- △ PLATING CONTACT AREA: 0,8µm Au MIN. OVER 1,3µm Ni MIN.  
ACTION PIN, 0,5µm SnPb MIN. OVER 1,3µm Ni MIN.
- △ PLATING CONTACT AREA: 2,0µm Au MIN. OVER 1,3µm Ni MIN.  
ACTION PIN, 0,5µm SnPb MIN. OVER 1,3µm Ni MIN.
- △ PLATING CONTACT AREA: 1,3µm Au MIN. OVER 1,3µm Ni MIN.  
ACTION PIN, 0,5µm SnPb MIN. OVER 1,3µm Ni MIN.
- △ MATERIAL CONTACT, PHOSPHORBRONZE
- △ MATERIAL HOUSING, GLASSFILLED POLYESTER (GRAY)  
UL-RATING 94V0.
- △ CONNECTOR PRINTED WITH PARTNUMBER AND DATECODE
- △ PLATED-THROUGH HOLES AT 2x2mm SQUARE GRID. 125 HOLES
- △ CONNECTOR LUBRICATED WITH BELLCORE  
APPROVED LUBRICANT. TECHNICAL REFERENCE:  
TR-NWT-001217 ISSUE 1, SEPT. 1992.
- △ CONNECTOR TESTED AND QUALIFIED AGAINST BELLCORE  
QUALITY LEVEL III, CENTRAL OFFICE APPLICATIONS.
- 8 FITS WITH INTEGRATED GROUND RETURN UPSHIELD, BASIC P.N. 338109  
AND INTEGRATED GROUND RETURN LOWERSHIELD, BASIC P.N. 338110



SCALE 2.5:1  
COMPONENT SIDE AS SHOWN  
RECOMMENDED PCB-HOLE LAY-OUT

P.C.B. HOLE DIM.	ACTION PIN
DRILLED HOLE:	0,7±0,025mm
FIN. HOLE	: 0,55 TO 0,65mm
CU-thks	: 0,025 TO 0,050mm
SnPb-thks	: 0,004 TO 0,010mm

FINISH	MATERIAL	PARTNUMBER
△△	△	I-100145-9
△△	△	100145-8
△△	△	100145-4
△△	△	100145-3
△△	△	100145-1

CUSTOMER DRAWING				FOR REFERENCE ONLY WILL NOT BE UPDATED	
DR.	D. TRUEN	CHK.	K. V. DE JONCK	APP.	1
DATE:	20-01-97	DATE:	20-07-97	DATE:	20-07-97
H EH-0436-97		LvdR	MvdP	8 MAY 97	
G EH-0816-96		DT	MvdH	20-01-97	
AMP-HOLLAND B.V. 's-Hertogenbosch, The Netherlands.					
Z-PACK 2mm HM TYPE B 125 POS. FEMALE CONNECTOR					
C-100145		REV. LTR.	SHEET		A2
		H		1 of 1	