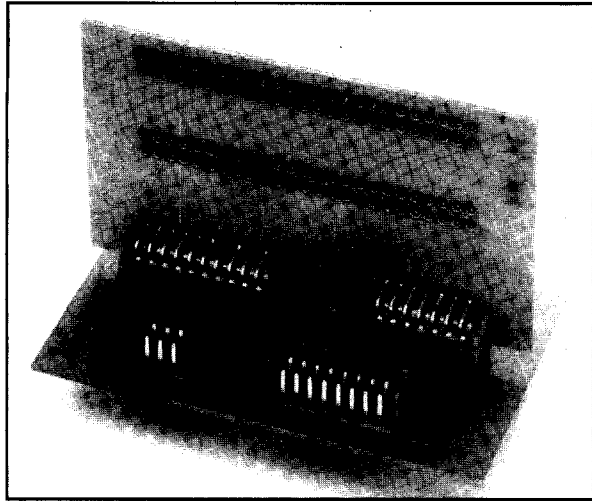


# IL-WY SERIES CONNECTORS

## 1.5mm (.059") Contact Spacing, PCB-to-PCB Connectors



.....

IL-WY Series connectors are double row, two-piece, high density connectors on 1.5mm (.059") centers for board-to-board applications.

Combinations of pin headers (straight) and sockets (straight and right angle) enable vertical and parallel connections of boards.

### FEATURES

- Small size, low profile
- Standard and S1 versions of straight type sockets are available
- Highly reliable socket contacts have 3 contacting points to ensure stable electrical continuity
- The contact terminals (2 on each side) are "jogged" to prevent floating up during mounting operation
- Molded-in structure prevents solder flux contamination

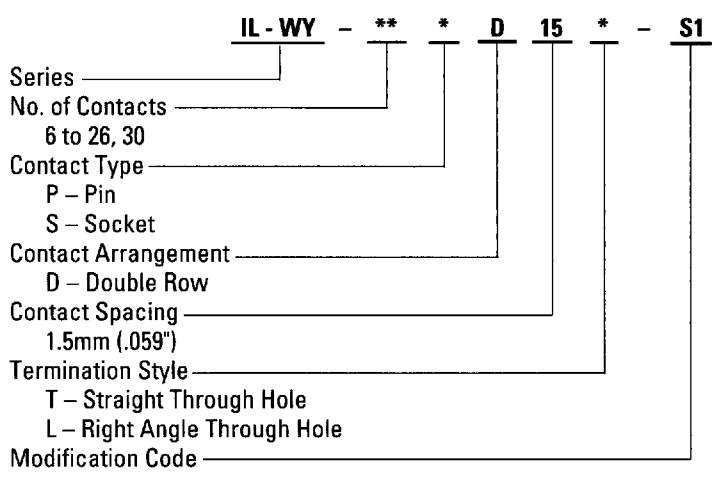
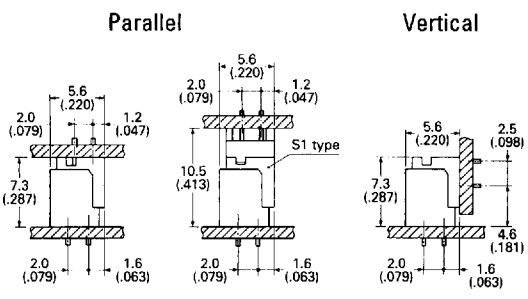
### GENERAL SPECIFICATIONS

Number of Contacts	6 to 26, 30 (double row)
Contact Spacing	1.5mm (.059")
Current Rating	1 Amp
Dielectric Withstanding Voltage	500 VAC r.m.s. (for one minute)
Insulation Resistance	100 megohms min.
Contact Resistance	20 milliohms max.
Applicable PCB Thickness	0.8mm (.031")
Operating Temperature Range	-40°C to +80°C

### MATERIALS AND FINISHES

Description	Materials/Finishes
Insulator	6-6 Nylon (UL94V-0, Brown)
Pin Contact	Brass/Tin Plating
Socket Contact	Phosphor Bronze/Tin Plating
Spacer (S1 Type)	6-6 Nylon (UL94V-0, Brown)

### ORDERING INFORMATION



D 05F ■ 4893465 0000663 111 ■

Dimensions and specifications subject to change without notice.

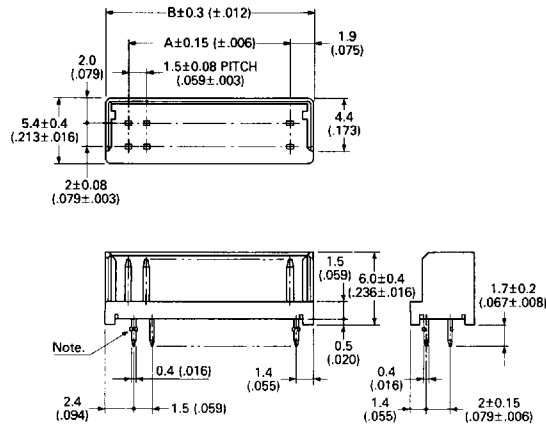
Hong Kong Tel: 852-2723-7782 Fax: 852-2723-9028	Japan 03-3780-2715 03-3780-2883	Singapore 65-748-1332 65-748-2920	Taiwan 02-555-9711 02-556-5424	United Kingdom 1276-21717 1276-66165	United States 714-753-2600 714-753-2699
---	---------------------------------------	---	--------------------------------------	--	---



# IL-WY SERIES CONNECTORS

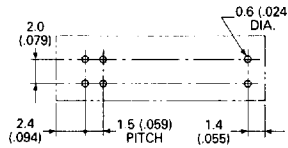
1.5mm (.059") Contact Spacing, PCB-to-PCB Connectors

## PIN HEADER (STRAIGHT THROUGH HOLE TYPE)



Note: 4 contacts on both sides are "jogged".

## PCB Hole Patterns (Ref.)



No. of Contacts	Part Number	A ± 0.15 (±.006)	B ± 0.3 (±.012)
6	IL-WY- 6P-D15T	3.0 (.118)	6.8 (.268)
8	IL-WY- 8P-D15T	4.5 (.177)	8.3 (.327)
10	IL-WY-10P-D15T	6.0 (.236)	9.8 (.386)
12	IL-WY-12P-D15T	7.5 (.295)	11.3 (.445)
14	IL-WY-14P-D15T	9.0 (.354)	12.8 (.504)
16	IL-WY-16P-D15T	10.5 (.413)	14.3 (.563)
18	IL-WY-18P-D15T	12.0 (.472)	15.8 (.622)
20	IL-WY-20P-D15T	13.5 (.531)	17.3 (.681)
22	IL-WY-22P-D15T	15.0 (.591)	18.8 (.740)
24	IL-WY-24P-D15T	16.5 (.650)	20.3 (.799)
26	IL-WY-26P-D15T	18.0 (.709)	21.8 (.858)
30	IL-WY-30P-D15T	21.0 (.827)	24.8 (.976)

Dimensions in mm (inches).

D 05F ■ 4893465 0000664 058 ■



Hong Kong  
Tel: 852-2723-7782  
Fax: 852-2723-9028

Japan  
03-3780-2715  
03-3780-2883

Singapore  
65-748-1332  
65-748-2920

Taiwan  
02-555-9711  
02-556-5424

United Kingdom  
1276-21717  
1276-66165

United States  
714-753-2600  
714-753-2699

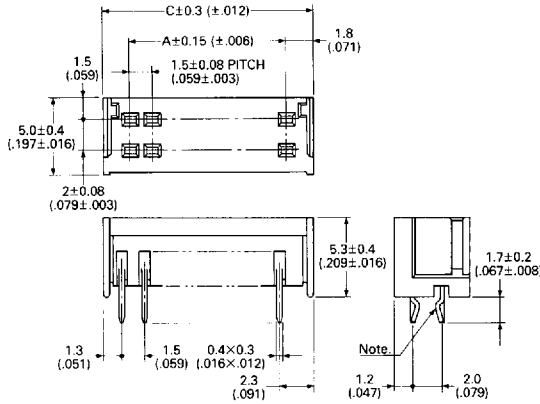
# IL-WY SERIES CONNECTORS

## 1.5mm (.059") Contact Spacing, PCB-to-PCB Connectors

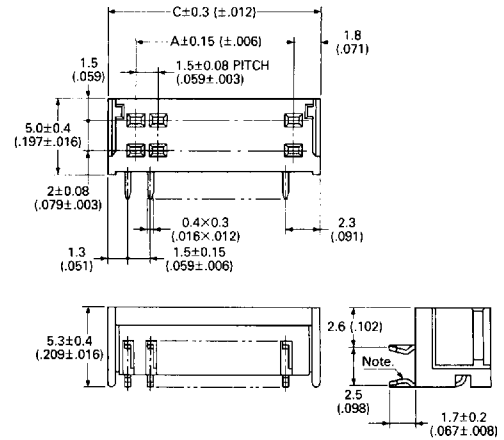
### SOCKET (STRAIGHT & RIGHT ANGLE THROUGH HOLE TYPE)

#### STRAIGHT TYPE

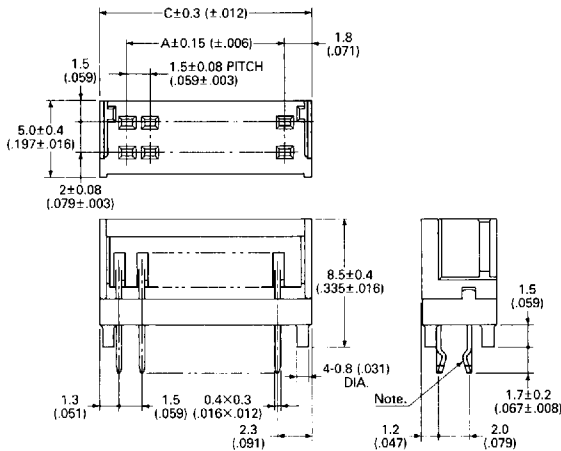
• Standard Type



#### RIGHT ANGLE TYPE

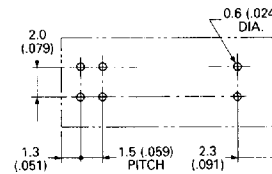


• S1 Type

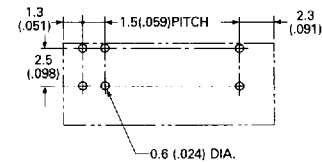


#### PCB Hole Patterns (Ref.)

##### Straight type



##### Right angle type



Note: 4 contacts on both sides are "jogged".

No. of Contacts	Part Number			A ± 0.15 (±.006)	C ± 0.3 (±.012)
	Right Angle	Straight (Std.)	Straight (S1)		
6	IL-WY- 6S-D15L	IL-WY- 6S-D15T	IL-WY- 6S-D15T-S1	3.0 (.118)	6.6 (.260)
8	IL-WY- 8S-D15L	IL-WY- 8S-D15T	—	4.5 (.177)	8.1 (.319)
10	IL-WY-10S-D15L	IL-WY-10S-D15T	IL-WY-10S-D15T-S1	6.0 (.236)	9.6 (.378)
12	IL-WY-12S-D15L	IL-WY-12S-D15T	IL-WY-12S-D15T-S1	7.5 (.295)	11.1 (.437)
14	IL-WY-14S-D15L	IL-WY-14S-D15T	—	9.0 (.354)	12.6 (.496)
16	IL-WY-16S-D15L	IL-WY-16S-D15T	IL-WY-16S-D15T-S1	10.5 (.413)	14.1 (.555)
18	IL-WY-18S-D15L	IL-WY-18S-D15T	IL-WY-18S-D15T-S1	12.0 (.472)	15.6 (.614)
20	IL-WY-20S-D15L	IL-WY-20S-D15T	IL-WY-20S-D15T-S1	13.5 (.531)	17.1 (.673)
22	IL-WY-22S-D15L	IL-WY-22S-D15T	IL-WY-22S-D15T-S1	15.0 (.591)	18.6 (.732)
24	IL-WY-24S-D15L	IL-WY-24S-D15T	—	16.5 (.650)	20.1 (.791)
26	IL-WY-26S-D15L	IL-WY-26S-D15T	IL-WY-26S-D15T-S1	18.0 (.709)	21.6 (.850)
30	IL-WY-30S-D15L	IL-WY-30S-D15T	IL-WY-30S-D15T-S1	21.0 (.827)	24.6 (.969)

D 05F ■ 4893465 0000665 T94 ■

Dimensions in mm (inches).

Hong Kong  
Tel: 852-2723-7782  
Fax: 852-2723-9028

Japan  
03-3780-2715  
03-3780-2883

Singapore  
65-748-1332  
65-748-2920

Taiwan  
02-555-9711  
02-556-5424

United Kingdom  
1276-21717  
1276-66165

United States  
714-753-2600  
714-753-2699

