

Customer Information Sheet

DRAWING No.: M80-5L2XXM5

SHEET 2 OF 2

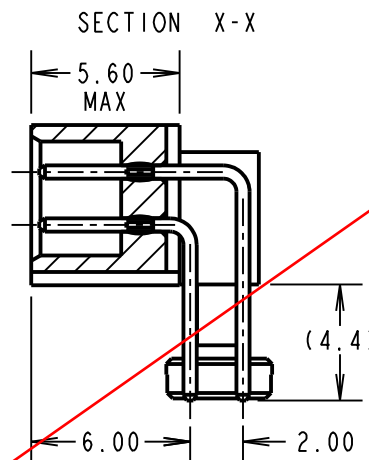
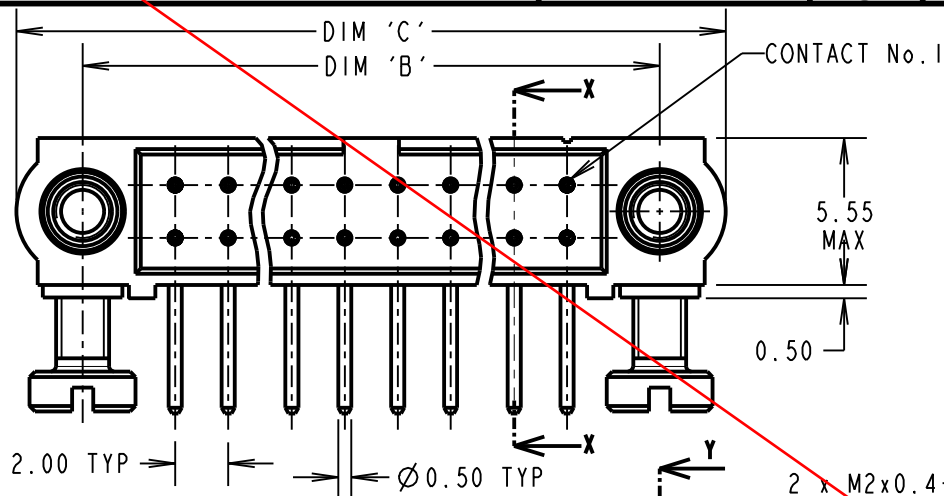
IF IN DOUBT - ASK

©

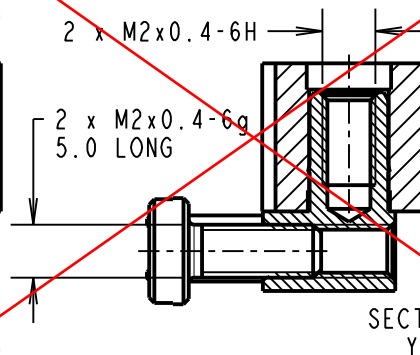
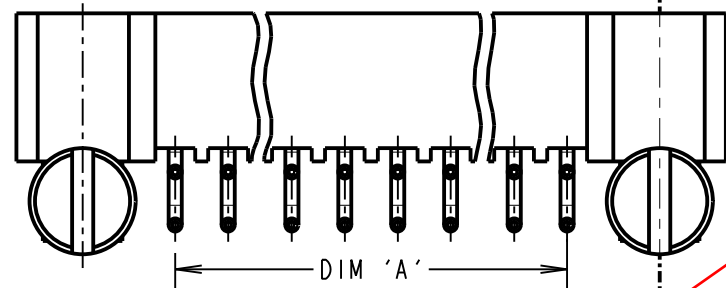
NOT TO SCALE

THIRD ANGLE PROJECTION

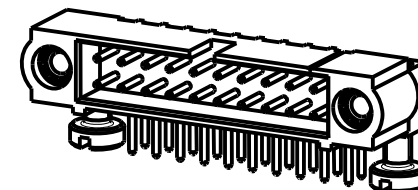
ALL DIMENSIONS IN mm



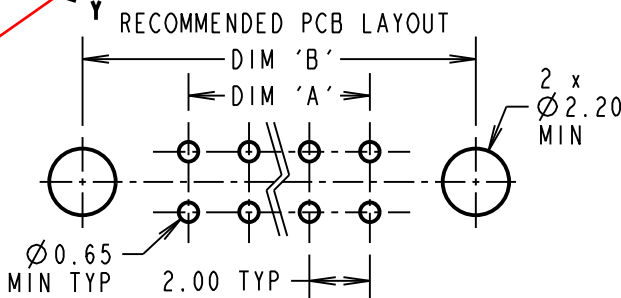
SPECIFICATIONS:
MATERIAL:
 MOULDING = GLASS-FILLED PPS, UL94V-0, BLACK
 CONTACT = PHOSPHOR BRONZE
 JACKSCREW = STAINLESS STEEL
FINISH (CONTACTS):
 0.75µ GOLD ON CONTACT AREA,
 3µ 100% TIN OVER NICKEL ON TAILS
ELECTRICAL:
 CURRENT RATING AT 25°C = 3.0A MAX
 CURRENT RATING AT 85°C = 2.2A MAX
 WORKING VOLTAGE = 120V AC/DC
 VOLTAGE PROOF = 360V AC/DC
 CONTACT RESISTANCE = 25 mΩ MAX
 INSULATION RESISTANCE = 100 MΩ MIN
MECHANICAL:
 DURABILITY = 500 OPERATIONS
ENVIRONMENTAL:
 TEMPERATURE RANGE = -55°C TO +125°C
PACKING: TUBE
 FOR COMPLETE SPECIFICATION, SEE COMPONENT SPECIFICATION C005XX (LATEST ISSUE)



OBSOLETE



ASSY PART No.	No. CONTACTS	DIM 'A'	DIM 'B'	DIM 'C'
M80-5L206M5	6	4.00	11.00	16.00
M80-5L210M5	10	8.00	15.00	20.00
M80-5L214M5	14	12.00	19.00	24.00
M80-5L220M5	20	18.00	25.00	30.00
M80-5L226M5	26	24.00	31.00	36.00
M80-5L234M5	34	32.00	39.00	44.00
M80-5L238M5	38	36.00	43.00	48.00
M80-5L242M5	42	40.00	47.00	52.00
M80-5L250M5	50	48.00	55.00	60.00



ORDER CODE:
M80-5L2XXM5
 TOTAL No. CONTACTS
 06, 10, 14, 20, 26
 34, 38, 42, 50

SM	I	19.04.11	11242
NAME	ISS.	DATE	C/NOTE
APPROVED: S. MCCULLAGH			
CHECKED: M. G. PLESTED			
DRAWN: J. M. BROOKES			
CUSTOMER REF.:			
ASSEMBLY DRG:			

HARWIN

HARWIN USA
 TEL: 603 893 5376
 FAX: 603 893 5396
 mis@harwin.com

HARWIN Europe (UK)
 TEL: 023 9231 4545
 FAX: 023 9231 4590
 mis@harwin.co.uk

HARWIN Asia
 TEL: +65 6 779 4909
 FAX: +65 6 779 3868
 mis@harwin.com.sg

THIS DRAWING AND ANY INFORMATION OR DESCRIPTIVE MATTER SET OUT HEREON ARE CONFIDENTIAL AND COPYRIGHT PROPERTY OF THE HARWIN GROUP AND MUST NOT BE DISCLOSED, LOANED, COPIED OR USED FOR MANUFACTURING, TENDERING OR FOR ANY OTHER PURPOSE WITHOUT THEIR WRITTEN PERMISSION.

TOLERANCES
 X. = ±1mm
 X.X = ±0.25mm
 X.XX = ±0.10mm
 X.XXX = ±0.01mm
 ANGLES = ±5°
 UNLESS STATED

MATERIAL:
 SEE ABOVE
FINISH: SEE ABOVE
S/AREA: mm²

TITLE: JACKSCREW DATAMATE
 DIL HORIZONTAL PC TAIL (4.5mm)
 MALE ASSEMBLY (BOARD MOUNT)
DRAWING NUMBER:
M80-5L2XXM5
 SHT 2 OF 2