

T-43-15-00

82



## DM54ALS08/DM74ALS08 Quad 2-Input AND Gate

### General Description

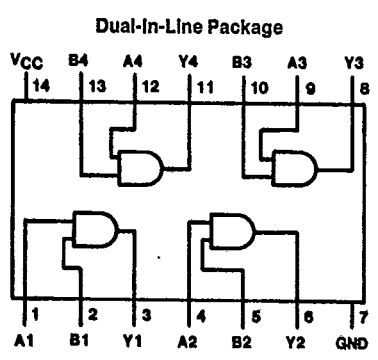
This device contains four independent gates, each of which performs the logic AND function.

### Features

- Switching specifications at 50 pF
- Switching specifications guaranteed over full temperature and V<sub>CC</sub> range

- Advanced oxide-isolated, ion-implanted Schottky TTL process
- Functionally and pin for pin compatible with Schottky and low power Schottky TTL counterpart
- Improved AC performance over Schottky and low power Schottky counterparts

### Connection Diagram



TL/F/8271-1

Order Number DM54ALS08J, DM74ALS08M, DM74ALS08N or DM74ALS08SJ  
See NS Package Number J14A, M14A, M14D or N14A

### Function Table

$Y = AB$

Inputs		Output
A	B	Y
L	L	L
L	H	L
H	L	L
H	H	H

H = High Logic Level  
L = Low Logic Level



08

### Absolute Maximum Ratings

If Military/Aerospace specified devices are required, please contact the National Semiconductor Sales Office/Distributors for availability and specifications.

Supply Voltage	7V
Input Voltage	7V
Operating Free Air Temperature Range	
DM54ALS	-55°C to +125°C
DM74ALS	0°C to +70°C
Storage Temperature Range	-65°C to +150°C
Typical $\theta_{JA}$	
N Package	86.5°C/W
M Package	116.0°C/W

T-43-15

Note: The "Absolute Maximum Ratings" are those values beyond which the safety of the device cannot be guaranteed. The device should not be operated at these limits. The parametric values defined in the "Electrical Characteristics" table are not guaranteed at the absolute maximum ratings. The "Recommended Operating Conditions" table will define the conditions for actual device operation.

### Recommended Operating Conditions

Symbol	Parameter	DM54ALS08			DM74ALS08			Units
		Min	Nom	Max	Min	Nom	Max	
V <sub>CC</sub>	Supply Voltage	4.5	5	5.5	4.5	5	5.5	V
V <sub>IH</sub>	High Level Input Voltage	2			2			V
V <sub>IL</sub>	Low Level Input Voltage			0.7			0.8	V
I <sub>OH</sub>	High Level Output Current			-0.4			-0.4	mA
I <sub>OL</sub>	Low Level Output Current			4			8	mA
T <sub>A</sub>	Free Air Operating Temperature	-55		125	0		70	°C

### Electrical Characteristics

over recommended operating free air temperature range. All typical values are measured at V<sub>CC</sub> = 5V, T<sub>A</sub> = 25°C.

Symbol	Parameter	Conditions	Min	Typ	Max	Units	
V <sub>IK</sub>	Input Clamp Voltage	V <sub>CC</sub> = 4.5V, I <sub>I</sub> = -18 mA			-1.5	V	
V <sub>OH</sub>	High Level Output Voltage	I <sub>OH</sub> = -0.4 mA V <sub>CC</sub> = 4.5V to 5.5V	V <sub>CC</sub> - 2			V	
V <sub>OL</sub>	Low Level Output Voltage	V <sub>CC</sub> = 4.5V	54/74ALS I <sub>OL</sub> = 4 mA		0.25	0.4	V
			74ALS I <sub>OL</sub> = 8 mA		0.35	0.5	V
I <sub>I</sub>	Input Current @ Max. Input Voltage	V <sub>CC</sub> = 5.5V, V <sub>IH</sub> = 7V			0.1	mA	
I <sub>IH</sub>	High Level Input Current	V <sub>CC</sub> = 5.5V, V <sub>IH</sub> = 2.7V			20	μA	
I <sub>IL</sub>	Low Level Input Current	V <sub>CC</sub> = 5.5V, V <sub>IL</sub> = 0.4V			-0.1	mA	
I <sub>O</sub>	Output Drive Current	V <sub>CC</sub> = 5.5V V <sub>O</sub> = 2.25V	-30		-112	mA	
I <sub>CC</sub>	Supply Current	V <sub>CC</sub> = 5.5V	Outputs High		1.3	2.4	mA
			Outputs Low		2.2	4	mA

### Switching Characteristics

over recommended operating free air temperature range (Note 1).

Symbol	Parameter	Conditions	DM54ALS08		DM74ALS08		Units
			Min	Max	Min	Max	
t <sub>PLH</sub>	Propagation Delay Time Low to High Level Output	V <sub>CC</sub> = 4.5V to 5.5V R <sub>L</sub> = 500Ω C <sub>L</sub> = 50 pF	4	14	4	14	ns
t <sub>PHL</sub>	Propagation Delay Time High to Low Level Output		3	12.5	3	10	ns

Note 1: See Section 1 for test waveforms and output load.