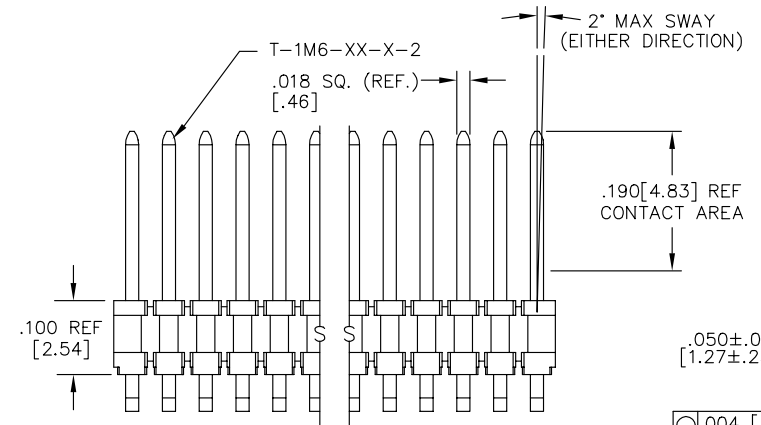
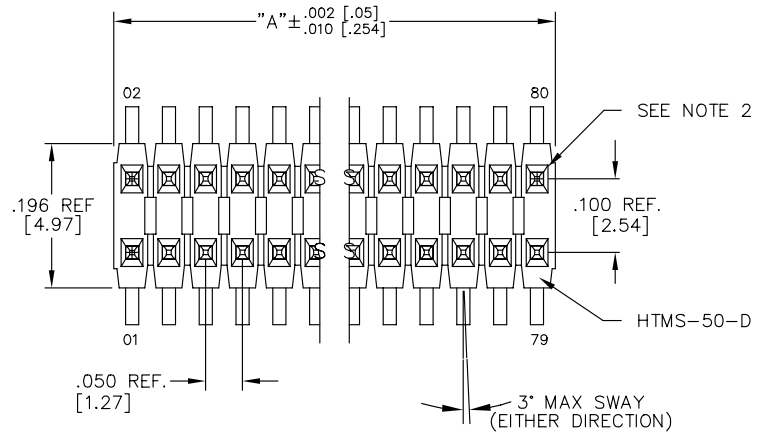


UNLESS OTHERWISE NOTED
 DIMENSIONS ARE IN INCHES TOLERANCES ARE:
 ONE PLACE DECIMALS ± .1 [2.5] THREE PLACE DECIMALS ± .005 [.13]
 TWO PLACE DECIMALS ± .01 [.25] FOUR PLACE DECIMALS ± .0020 [.051]
 ANGLES ± 2°

TITLE:
 HI-TEMP TERMINAL
 MICRO-STRIP (DOUBLE ROW)

DWG NO:
 FTR-1XX-XX-XX-D-X-XX
 SHEET 1 OF 2



FTR-1XX-XX-XX-D-X-XX

BODY LENGTH SPEC
 EXPRESSED IN # POS PER ROW
 (-02 THRU -40)
 "A" = 'XX' x .050 [1.27]

LEAD STYLE SPEC
 SEE TABLE 1

PLATING SPECIFICATION
 -G: GOLD (USE T-1M6-XX-G-2)
 -T: TIN (USE T-1M6-XX-T-2)
 (LEAD STYLES -01, -02, -03, -51, -52 ONLY)
 -S: SELECTIVE (USE T-1M6-XX-S-2)
 -F: FLASH SELECTIVE GOLD (USE T-1M6-XX-F-2)
 (LEAD STYLE -01 ONLY)
 -SM: HEAVY GOLD SELECTIVE, MATTE TIN TAIL
 (USE T-1M6-XX-SM-2)
 -TM: MATTE TIN (USE T-1M6-XX-TM-2)
 -FM: FLASH GOLD SELECTIVE, MATTE TIN TAIL
 (USE T-1M6-XX-FM-2)
 -H: HEAVY GOLD
 (USE T-1M6-XX-H-2)

OPTION
 -XX: POLARIZING SPECIFICATION
 XX INDICATES POS. TO BE OMITTED
 -A: ALIGNMENT PIN; STAKED (6 POS MIN) OR
 MOLDED (5 POS MIN)
 (SEE FIG 2 & 4, SHT 2)
 SAMTEC DISCRETION ON WHICH
 -A PIN USED
 -LC: STAKED LOCKING CLIP (USE LC-05-TM)
 [BODY SPEC -D ONLY]
 (SEE FIG 4, SHT 2)
 -TR: TAPE & REEL PACKAGING

OPTION
 -P: PICK & PLACE PAD
 (USE PPP-22)
 (SEE FIG 3, SHT 2)
 [5 POS MIN]

BODY SPECIFICATION
 -D: DOUBLE (USE HTMS-50-D)

NOTES:

1. TERMINAL PUSHOUT FORCE: 2 lbs. MIN.
2. MAX PIN ROTATION IN BODY: 2°.
3. SHEAR TAIL TO DIMENSION GIVEN.
4. NOTE DELETED.
5. Ⓞ REPRESENTS A CRITICAL DIMENSION FOR STATISTICAL PROCESS CONTROL USE.
6. TUBE POSITIONS -05 THRU -40; LAYER PACKAGE POSITIONS -02 THRU -04.
7. -P OPTION: TUBE POSITIONS -07 THRU -40; ALL OTHERS, TAPE & REEL ONLY.
8. CUT FLASH: .010 [.25] MAX
9. .003 [.08] MAX BURR

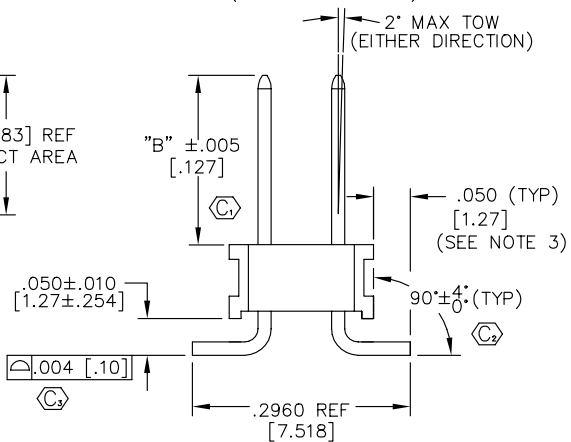


TABLE 1

LEAD STYLE	TERMINAL SPEC.	'B'
-01	T-1M6-13-XX-2	.230 [5.84]
-02	T-1M6-04-XX-2	.100 [2.54]
-03	T-1M6-04-XX-2	.125 [3.18]
-51	T-1M6-13-XX-2	.190 [4.83]
-52	T-1M6-13-XX-2	.205 [5.21]
-53	T-1M6-05-XX-2	.285 [7.24]
-54	T-1M6-15-XX-2	.335 [8.51]
-55	T-1M6-16-XX-2	.390 [9.91]
-56	T-1M6-16-XX-2	.405 [10.29]
-57	T-1M6-16-XX-2	.430 [10.92]

TABLE 2

LEAD STYLE	PACKAGING TUBE	PLUG
-01, -02, -03, -51, -52	PT-1-24-02-44 (SEE NOTE 6)	TP-03
-01-P, -02-P, -03-P, -51-P, -52-P	PT-1-24-02-44 (SEE NOTE 7)	TP-03
-53, -54	PT-1-24-01-29 (SEE NOTE 6)	TP-03
-55, -56, -57	PT-1-24-09-29 (SEE NOTE 6)	TP-03
-53-P	PT-1-24-03-44 (SEE NOTE 7)	TP-03
-54-P, -55-P, -56-P, -57-P	PT-1-24-05-44 (SEE NOTE 7)	TP-03

TABLE 3

LENGTH	"L"
-04	.505 [12.83]
-05	.705 [17.91]
-13	.625 [15.88]
-15	.755 [19.18]
-16	.825 [20.96]

* REF FOR PIN LENGTH

MATERIAL:
 BODY:
 LIQUID CRYSTAL POLYMER
 COLOR: BLACK
 TERMINAL:
 PHOS BRONZE
 MAX FLASH ALLOWED:
 .004 [.10]
 MAX GATE VESTIGE
 ALLOWED: .002 [.05]



520 PARK EAST BLVD. NEW ALBANY, INDIANA 47150
 PHONE (812) 944-6733 P.O. BOX 1147
 CODE 55322

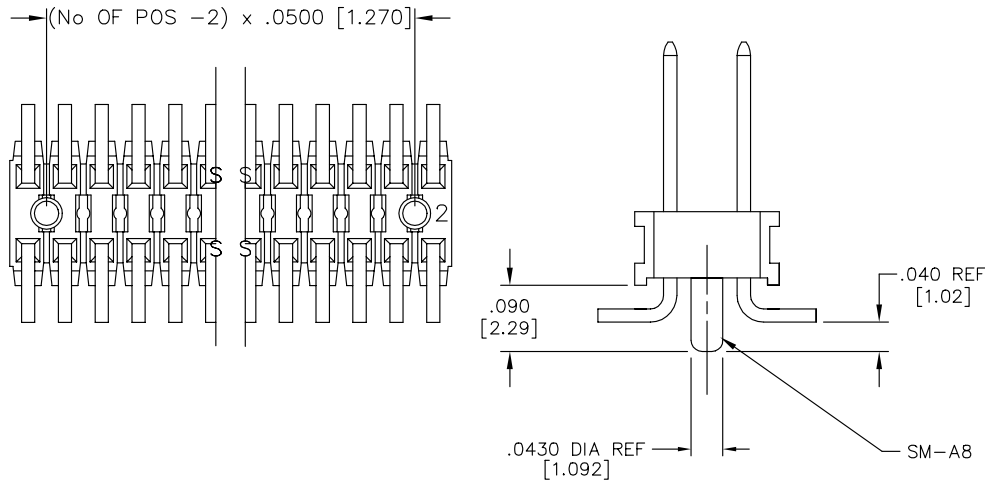
MADE BY: BRATCHER 2-9-95

FTR-1XX-XX-XX-D-X-XX
 SHEET 1 OF 2

REV. AJ

FIG 2

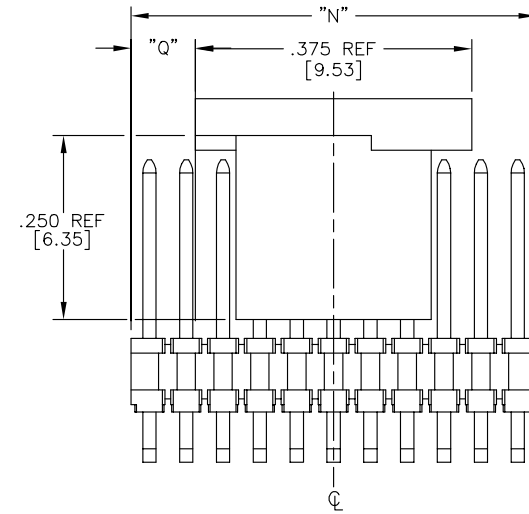
-A OPTION: STAKED
(6 POSITIONS MINIMUM)
[BODY SPEC -D ONLY]



UNLESS OTHERWISE NOTED
DIMENSIONS ARE IN INCHES TOLERANCES ARE:
ONE PLACE DECIMALS ± .1 [2.5] THREE PLACE DECIMALS ± .005 [.13]
TWO PLACE DECIMALS ± .01 [.25] FOUR PLACE DECIMALS ± .0020 [.051]
ANGLES ± 2°

TITLE:
HI-TEMP TERMINAL
MICRO-STRIP (DOUBLE ROW)

DWG NO:
FTR-1XX-XX-XX-D-X-XX
SHEET 2 OF 2



USE FOR 11 POS OR ABOVE:
"N" = USE MEASURED DIM
"Q" = {"N" - .375} / 2 ± .020

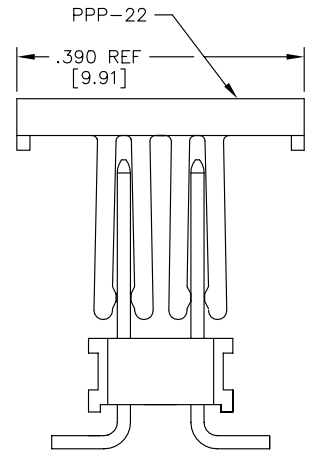


FIG 3
-P: PICK & PLACE
AVAIL. ON 5 - 40 POS
(SEE NOTE 7)

FIG 3

-LC OPTION: STAKED LOCKING CLIP
(6 POSITIONS MINIMUM)
[BODY SPEC -D ONLY]

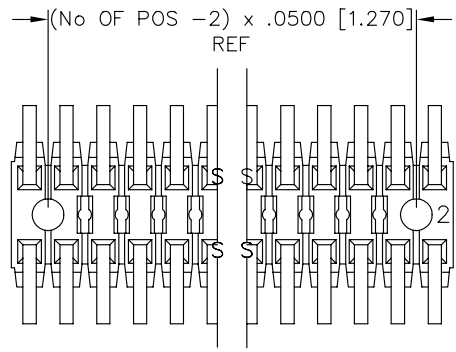
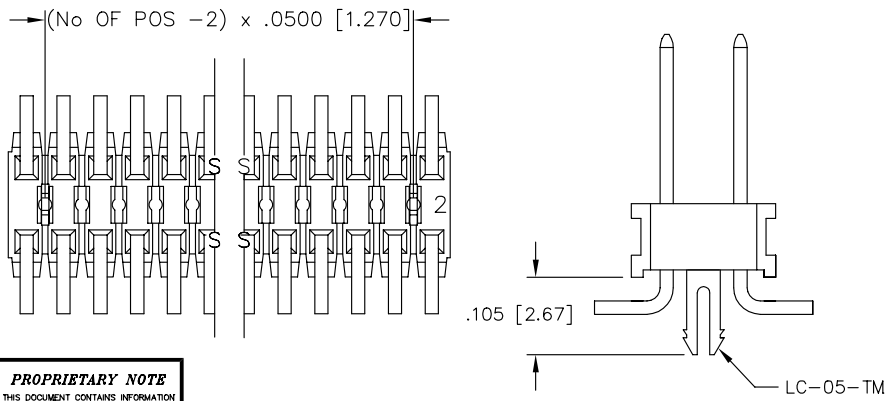
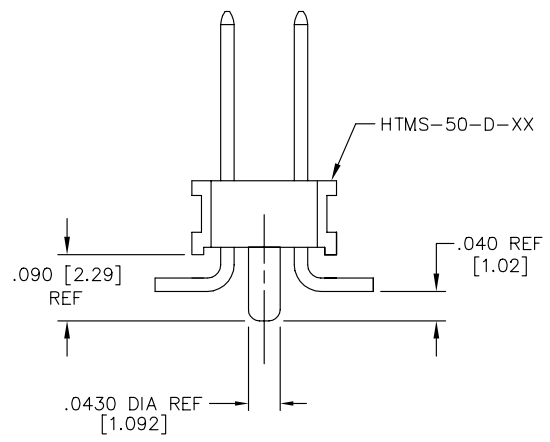


FIG 4
-A OPTION: (MOLDED)
(5 POSITIONS MINIMUM)
[BODY SPEC -D ONLY]



PROPRIETARY NOTE
THIS DOCUMENT CONTAINS INFORMATION
CONFIDENTIAL AND PROPRIETARY TO
SAMTEC INC. AND SHALL NOT BE
REPRODUCED OR TRANSFERRED TO
OTHER DOCUMENTS OR DISCLOSED TO
OTHERS OR USED FOR ANY PURPOSE
OTHER THAN THAT FOR WHICH IT WAS
OBTAINED WITHOUT THE EXPRESSED
WRITTEN CONSENT OF SAMTEC INC.

DO NOT SCALE
FROM THIS PRINT.

MISC\MKTG
FTR-MKT2

samtec

520 PARK EAST BLVD. NEW ALBANY, INDIANA 47150
PHONE (812) 944-6733 P.O. BOX 1147
CODE 55322

MADE BY: BRATCHER 2-9-95

FTR-1XX-XX-XX-D-X-XX
SHEET 2 OF 2