

SPECIFICATIONS

Mechanical

Contact Retention Force: 1.36kg (3.00Lb) min.
Contact Engagement Force: 0.34kg (0.75Lb) max.
Contact Separation Force: 0.021kg (0.05Lb) min.
Durability: 500 Cycles

Electrical

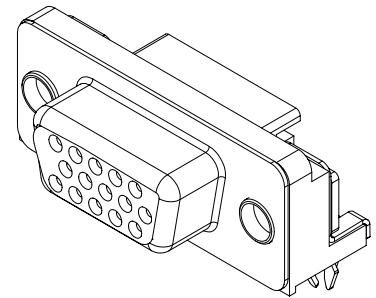
Current Rating: 2A
Contact Resistance: 15mΩ max.
Dielectric Withstanding Voltage: 1000V AC/1min min.
Insulation Resistance: 5000MΩ min.

Physical

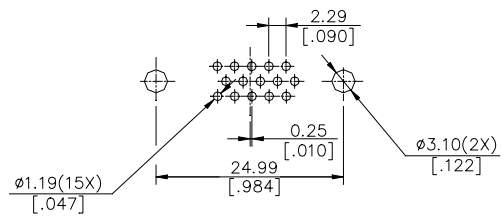
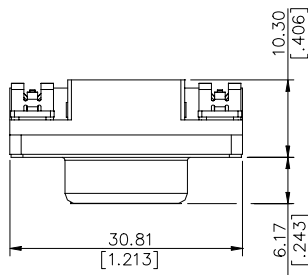
Housing: Thermoplastic, UL 94V-0 rated in Blue 661C Color
Contact: Copper alloy
Plating: See "ORDERING INFORMATION"
Operating Temperature: -20°C to +85°C
Recommended Thickness of PCB: 1.57[.062]

D-SUB Connector

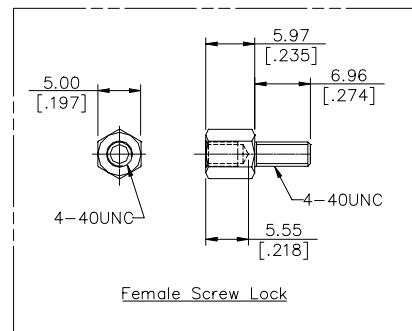
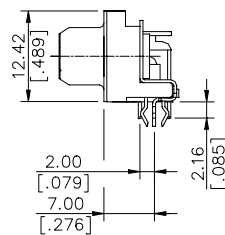
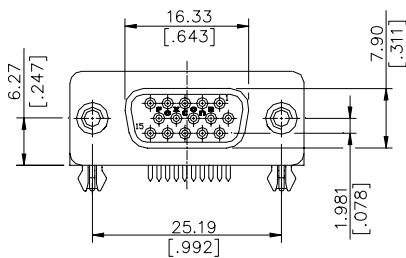
DZ Series
Right Angle, T/H Type
2.29mm [.090"] Pitch
15 Pos.



DRAWING



RECOMMENDED P.C.B. LAYOUT



Female Screw Lock

ORDERING INFORMATION

PRODUCT NO.: DZ 1 1 A 3 * - P*

VGA Series
 Body Type
 1=Right Angle PCB Mount
 Termination Type
 1=Female
 NO. of Pos.
 A=H/D 15 Pos.
 Body Length
 3=7.0

Extension Code
 Contact Area Plating
 1=Gold Flash
 2=20u" Gold
 3=30u" Gold
 6=10u" Gold
 7=15u" Gold
 F=Gold Flash(Lead Free)

DZ11A3*-P9	WITH FEMALE SCREW LOCK
DZ11A3*-P8	WITHOUT FEMALE SCREW LOCK
P/N	CHARACTER