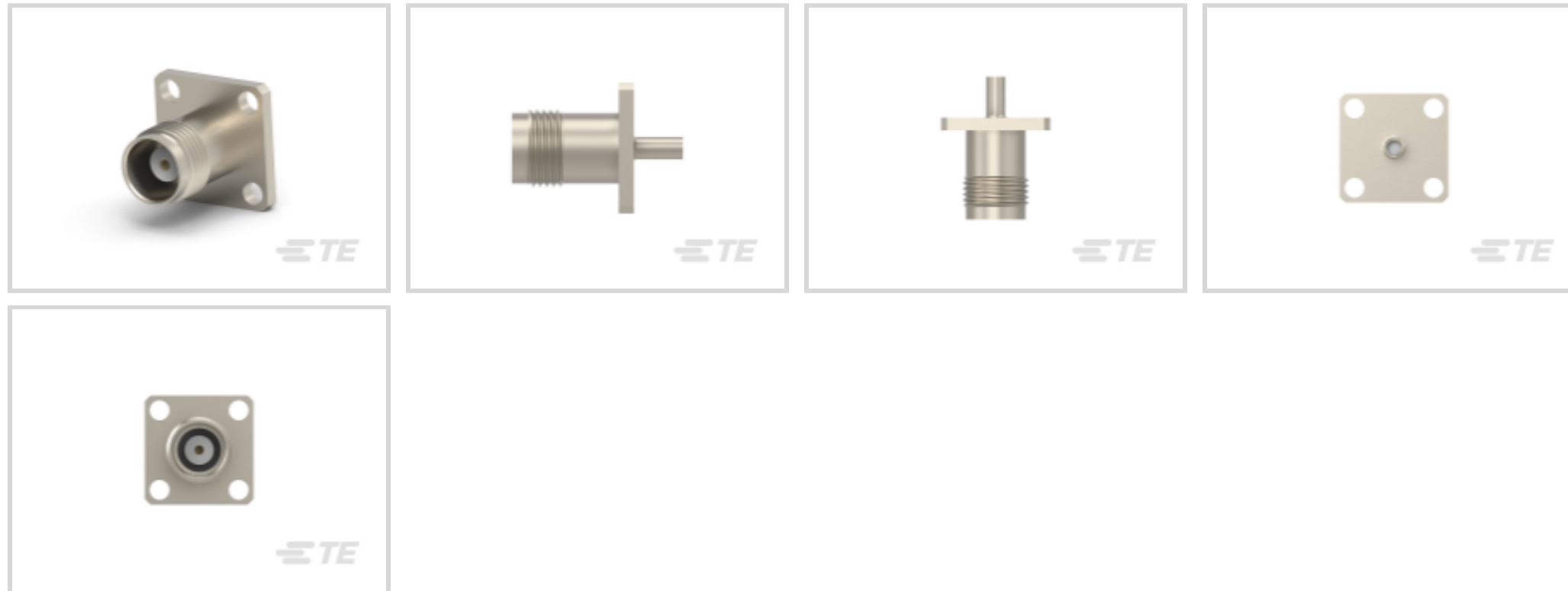




Connectors > RF Connectors > Coax Connectors



RF Interface: **TNC**

RF Connector Style: **Jack**

RF Connector Mated Outer Diameter (Approximate): **16.26 mm [ .64 in ]**

Impedance: **50 Ω**

Compatible With RF Cable Type: **RG 405 Semi-Rigid**

## Features

### Product Type Features

RF Interface	TNC
RF Connector Style	Jack
Compatible With RF Cable Type	RG 405 Semi-Rigid
Connector System	Cable-to-Panel
Sealable	No
Connector & Contact Terminates To	Wire & Cable

### Configuration Features

Number of Positions	1
Number of Coaxial Contacts	1

### Electrical Characteristics

Impedance	50 Ω
-----------	------

### Body Features

Cable Connector Orientation	Straight
Body Material	Stainless Steel
Body Material Finish	Plated
Body Plating Material	Gold

### Contact Features

RF Connector Center Contact Underplating Material	Copper, Nickel
RF Connector Center Contact Plating Material	Gold
RF Connector Center Contact Material	Beryllium Copper

### Termination Features

Termination Method to Wire & Cable	Solder Terminal
------------------------------------	-----------------

### Mechanical Attachment

Panel Mount Feature Type	Flange
RF Connector Coupling Mechanism	Threaded
Connector Mounting Type	Panel Mount
Detent	Without

### Dimensions

RF Connector Mated Outer Diameter (Approximate)	16.26 mm[.64 in]
---	------------------

### Usage Conditions

Operating Temperature Range	-65 – 105 °C[-85 – 221 °F]
-----------------------------	----------------------------

### Operation/Application

Operating Frequency	15 GHz
---------------------	--------

### Packaging Features

Packaging Method	Carton
------------------	--------

### Other

Grade	Military
Dielectric Material	TFE Fluorocarbon

### Product Compliance

[For compliance documentation, visit the product page on TE.com>](#)

EU RoHS Directive 2011/65/EU	Compliant with Exemptions
EU ELV Directive 2000/53/EC	Compliant with Exemptions
China RoHS 2 Directive MIIT Order No 32, 2016	Restricted Materials Above Threshold
EU REACH Regulation (EC) No. 1907/2006	Current ECHA Candidate List: JUNE 2023 (235) Candidate List Declared Against: JUL 2021 (219) SVHC > Threshold:

Pb (.6% in Component Part)

**Article Safe Usage Statements:**

Do not eat, drink or smoke when using this product. Wash thoroughly after handling. Recycle if possible and dispose of the article by following all applicable governmental regulations relevant to your geographic location.

Halogen Content

Low Bromine/Chlorine - Br and Cl < 900 ppm per homogenous material. Also BFR /CFR/PVC Free

Solder Process Capability

Not applicable for solder process capability

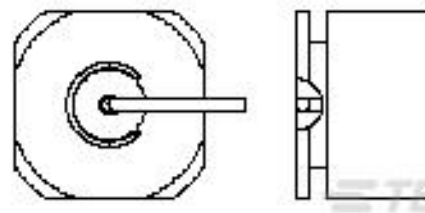
Product Compliance Disclaimer

This information is provided based on reasonable inquiry of our suppliers and represents our current actual knowledge based on the information they provided. This information is subject to change. The part numbers that TE has identified as EU RoHS compliant have a maximum concentration of 0.1% by weight in homogenous materials for lead, hexavalent chromium, mercury, PBB, PBDE, DBP, BBP, DEHP, DIBP, and 0.01% for cadmium, or qualify for an exemption to these limits as defined in the Annexes of Directive 2011/65/EU (RoHS2). Finished electrical and electronic equipment products will be CE marked as required by Directive 2011/65/EU. Components may not be CE marked. Additionally, the part numbers that TE has identified as EU ELV compliant have a maximum concentration of 0.1% by weight in homogenous materials for lead, hexavalent chromium, and mercury, and 0.01% for cadmium, or qualify for an exemption to these limits as defined in the Annexes of Directive 2000/53/EC (ELV). Regarding the REACH Regulation, the information TE provides on SVHC in articles for this part number is based on the latest European Chemicals Agency (ECHA) 'Guidance on requirements for substances in articles' posted at this URL: <https://echa.europa.eu/guidance-documents/guidance-on-reach>

## Customers Also Bought



TE Part #5-534998-5  
10 MODIV VRT DR CE 100/125



TE Part #1757254-1  
SMPM SURFACE MOUNT



TE Part #2332816-1  
RA Plug Assy Left End Multigig RT 3



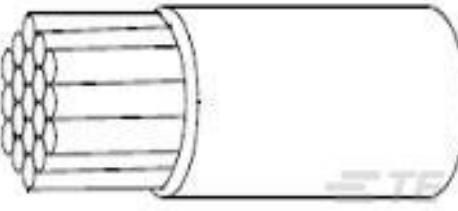
TE Part #9-2176307-4  
RP 1E 0.1W 115K 0.1% 25PPM 5K RL



TE Part #YDTS26F11-05SNV001  
PLUG ASSY



TE Part #6-1879129-6  
RN 0402 2K0 0.1% 10PPM 5K RL



TE Part #216396-000  
22759/33-30-9



TE Part #472139-000  
22759/44-16-9



TE Part #2302796-1  
RAPLUGASSY,LEFTEND,HALF,RTM,  
VPX,MGRT3



TE Part #299209-000  
55A1122-16-9/96-9CS2275

## Documents

### Product Drawings

[3106 7985 00](#)

English

### CAD Files

[3D PDF](#)

3D

Customer View Model

[ENG\\_CVM\\_CVM\\_1057699-1\\_C.2d\\_dxf.zip](#)

English

Customer View Model

[ENG\\_CVM\\_CVM\\_1057699-1\\_C.3d\\_igs.zip](#)

English

Customer View Model

[ENG\\_CVM\\_CVM\\_1057699-1\\_C.3d\\_stp.zip](#)

English

By downloading the CAD file I accept and agree to the [Terms and Conditions](#) of use.

### Datasheets & Catalog Pages

[TNC Connectors](#)

English

### Product Environmental Compliance

[Product Compliance](#)

English

[Product Compliance](#)

English

### Instruction Sheets

[Instruction Sheet \(U.S.\)](#)

English

[OST Straight Cable Jack Direct Solder Attachment 1049681-1, and 1057699-1](#)

English