

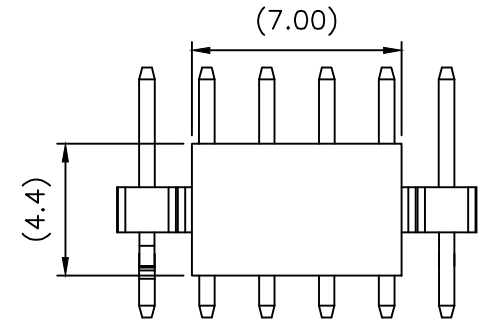
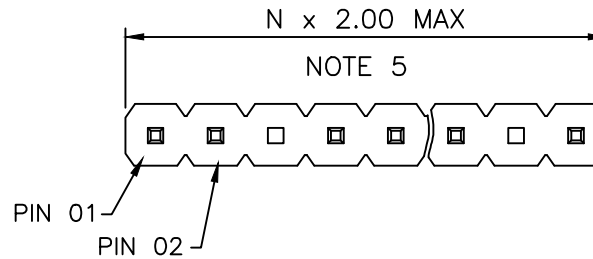
PRODUCT NUMBER
10130186-YXXXXLF

PLATING

- S = 0.38µm GOLD/GXT ON CONTACT AREA
3.81µm TIN LEAD ON TAIL
- G = 0.76µm GOLD/GXT ON CONTACT AREA
3.81µm TIN LEAD ON TAIL.
- F = GOLD FLASH ON CONTACT AREA
3.81µm TIN LEAD ON TAIL.
- T = 2.0-6.0µm FULL MATTE TIN
- UNDERLAYER 1.27µm Ni MIN

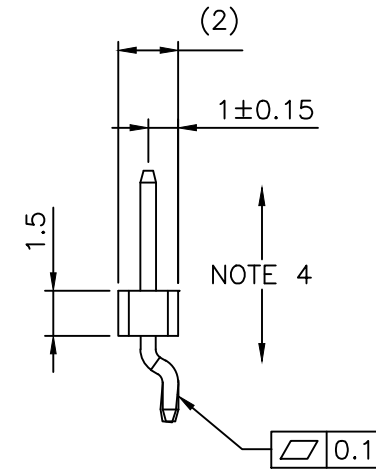
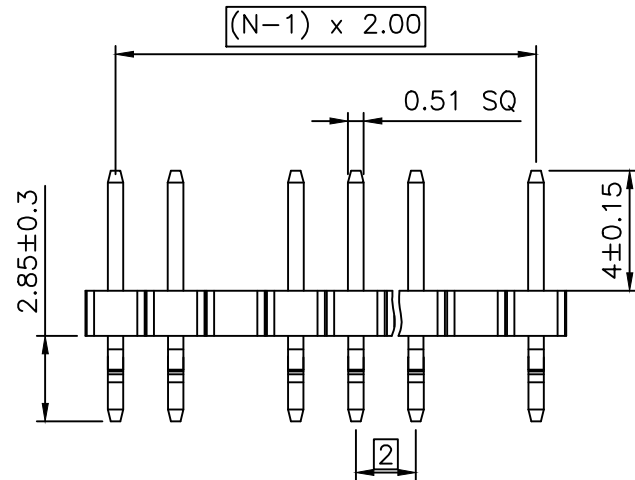
- RoHS COMPATIBLE SEE NOTE 6
- PACKAGING OPTIONS, NOTE 4
- PIN STYLE SEE SHEET 2

TOP VIEW



NOTES:

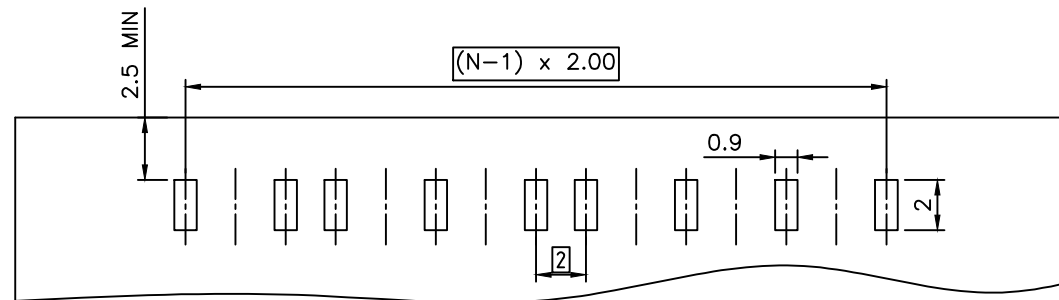
1. HOUSING MAT'L : HIGH TEMPERATURE THERMOPLASTIC. UL94V-0 COLOR: BLACK
2. PIN MATERIAL : PHOSPHOR BRONZE
3. 7N MIN RETENTION IN EITHER DIRECTION
4. PACKAGING OPTIONS:
= POLY BAGS
A = TAPE & REEL WITH CAP, AS AVAILABLE
U = TUBE WITHOUT PICK-UP CAP
5. TO DETERMINE DIMENSIONS :
N = NUMBER OF POSITIONS PER ROW
EXAMPLE : 8 POS N x 2.00 = 16.00mm
6. RoHS COMPATIBLE PRODUCT SPECIFICATIONS
 - a - PLATING:
- "LF" MEANS THE PRODUCT IS LEAD-FREE, 2µm MINIMUM MATTE TIN OVER 1.27µm MINIMUM NICKEL UNDERPLATE.
 - b - MANUFACTURING PROCESS COMPATIBILITY
- THE HOUSING WILL WITHSTAND EXPOSURE TO 260°C PEAK TEMPERATURE FOR 30 SECONDES IN A CONVECTION, INFRA-RED OR VAPOR PHASE REFLOW OVEN.
 - c - LABELING:
- MEETS PACKAGING SPECS AS PER GS-14-920
 - d - LEGAL STATEMENT: SEE GS-47-0004



mat'l. code		surface		tolerance		projection		product family	
		ISO 1302 ✓		ISO 406 ISO 1101		mm		MINITEK	
ltr		ecn no		dr		date		title	
A		---		LMU		15.10.19		UNSH MTK HDR 2mm	
B		F-22381		BVE		15.11.03		SR SMT HORIZ POLARIZED	
C		F-23054		AMA		16.01.15		dwg no	
								sheet 1 of 2	
								size	
								10130186	
								A3	
								type	
								CUSTOMER Drawing	
sheet index		revision sheet		C		B			
				1		2			

STYLE	NB OF POSITIONS	NB OF CONTACTS	CONTACTS LOADED AS PER TOP VIEW														
			1	2	3	4	5	6	7	8	9	10	11	12	13	14	15
01	15	9	X		X	X		X		X	X		X		X		X
02	15	9	X		X		X		X	X		X		X	X		X
03	04	3	X		X	X											
04	04	3	X	X		X											

RECOMMENDED LAYOUT PAD SHOULD BE LOADED ACCORDING TO STYLE



mat'l. code		surface		tolerance		projection		product family				
		ISO 1302 ✓		ISO 406 ISO 1101				MINITEK				
ltr	ecn no	dr	date	tolerances unless otherwise specified		mm		title				
A	---	LMU	15.10.19	angles	x.x ±0.3	← mm →		UNSH MTK HDR 2mm				
B	F-22381	BVE	15.11.03	linear	x.xx ±0.13	scale 5:1		SR SMT HORIZ POLARIZED				
					x.xxx ±0.05			dwg no				
				dr	L.MULIN	14.05.14			sheet 2 of 2			
				enr	J.COMPAGNON	14.05.14			10130186		A3	
				chr					type		CUSTOMER Drawing	
				appd	JCO	14.05.14						
sheet index	revision sheet											