

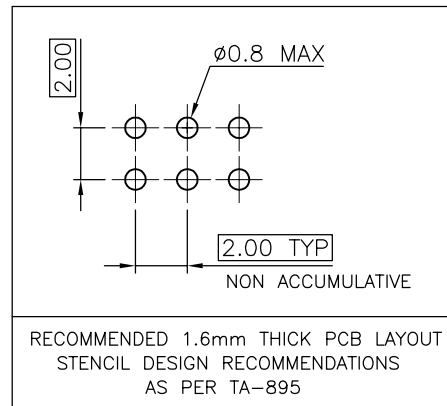
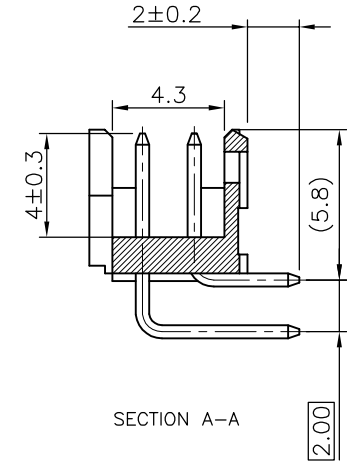
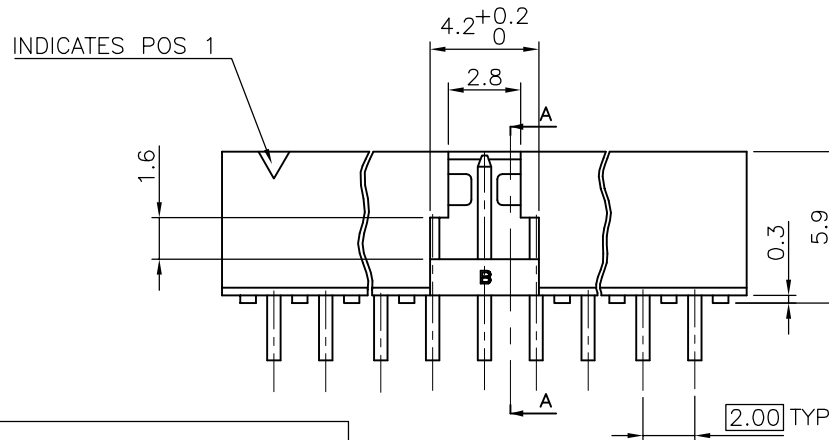
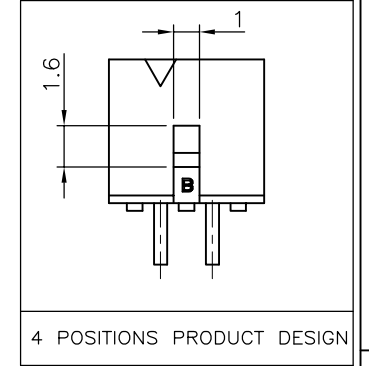
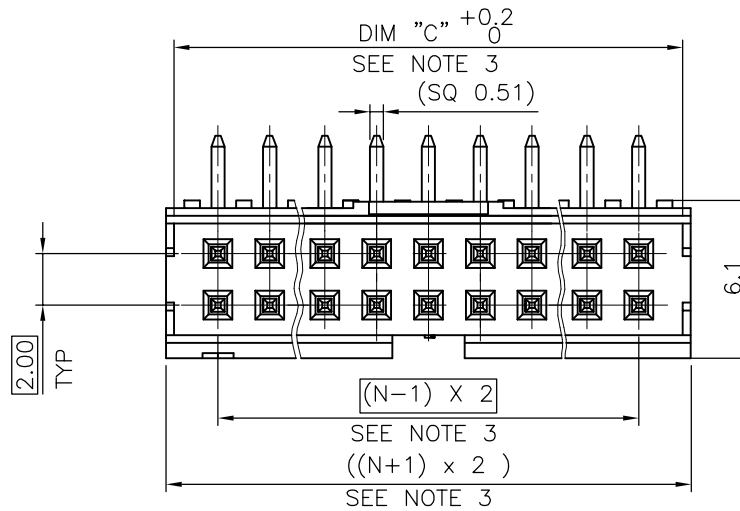
**PRODUCT NUMBER**

10072354-X01-XXXLF

- RoHS COMPATIBLE, SEE NOTE 6
  - PACKAGING (SEE NOTE 5)
  - TOTAL NB OF POSITIONS, 04 TO 50
  - COLOR OPTION, NOTE 1
- PLATING
- S = 0.38µm GOLD/GXT ON CONTACT AREA  
2µm MIN MATTE TIN ON TAIL
  - G = 0.76µm GOLD/GXT ON CONTACT AREA  
2µm MIN MATTE TIN ON TAIL
  - F = GOLD FLASH ON CONTACT AREA  
2µm MIN MATTE TIN ON TAIL  
1.27µm MIN NICKEL UNDERPLATING

**NOTES:**

1. MATERIAL HOUSING: HIGH TEMP. THERMOPLASTIC UL94V-0 MEETS GWT 850°C 960°C  
- = STANDARD COLOR CREAM  
B = OPTIONAL COLOR BLACK
2. MATERIAL TERMINAL: COPPER ALLOY
3. TO DETERMINE DIMENSIONS:  
N = NUMBER OF POSITIONS PER ROW
4. 7N MIN. PIN RETENTION IN EITHER DIRECTION.
5. PACKAGING:  
= PLASTIC BOX  
U = TUBE AVAILABLE FROM 06 TO 50 POS  
K = TAPE & REEL WITHOUT PICK UP CAP
6. RoHS COMPATIBLE PRODUCT SPECIFICATIONS
  - a - PLATING:  
- "LF" MEANS THE PRODUCT IS LEAD-FREE,  
2µm MINIMUM MATTE TIN OVER 1.27µm MINIMUM NICKEL UNDERPLATE.
  - b - MANUFACTURING PROCESS COMPATIBILITY  
- THE HOUSING WITHSTAND EXPOSURE TO 260°C PEAK TEMPERATURE FOR 30 SECONDS MAX IN A CONVECTION, INRA-RED OR VAPOR PHASE OR REFLOW OVEN.
  - c - LABELLING:  
- MEETS PACKAGING SPECS AS PER GS-14-920
  - d - THIS PRODUCT MEETS EUROPEAN DIRECTIVES AND OTHER COUNTRY REGULATIONS AS DISCRIBED IN GS-47-0004



mat'l. code SEE NOTES		surface ISO 1302	tolerance ISO 406 ISO 1101	projection mm	product family MINITEK
ltr	ecn no	dr	date	tolerances unless otherwise specified	title
H	B-19190	LMU	14.10.24	angles linear X.X ±0.13	SHR HEADER
J	B-20110	BVE	15.01.28	±2'	2.00 RIGHT ANGLE PIP
K	B-20254	LMU	15.02.16	dr L.MULIN 06.09.14	dwg no
L	B-20611	AMA	15.03.31	engr J.COMPAGNON 06.09.14	sheet 1 of 1 size
F	F11-0324	LMU	24.10.11	chr	10072354 A3
G	B-17745	JCO	21.05.14	appd J.M.C 06.09.14	type CUSTOMER Drawing
sheet index	revision sheet				