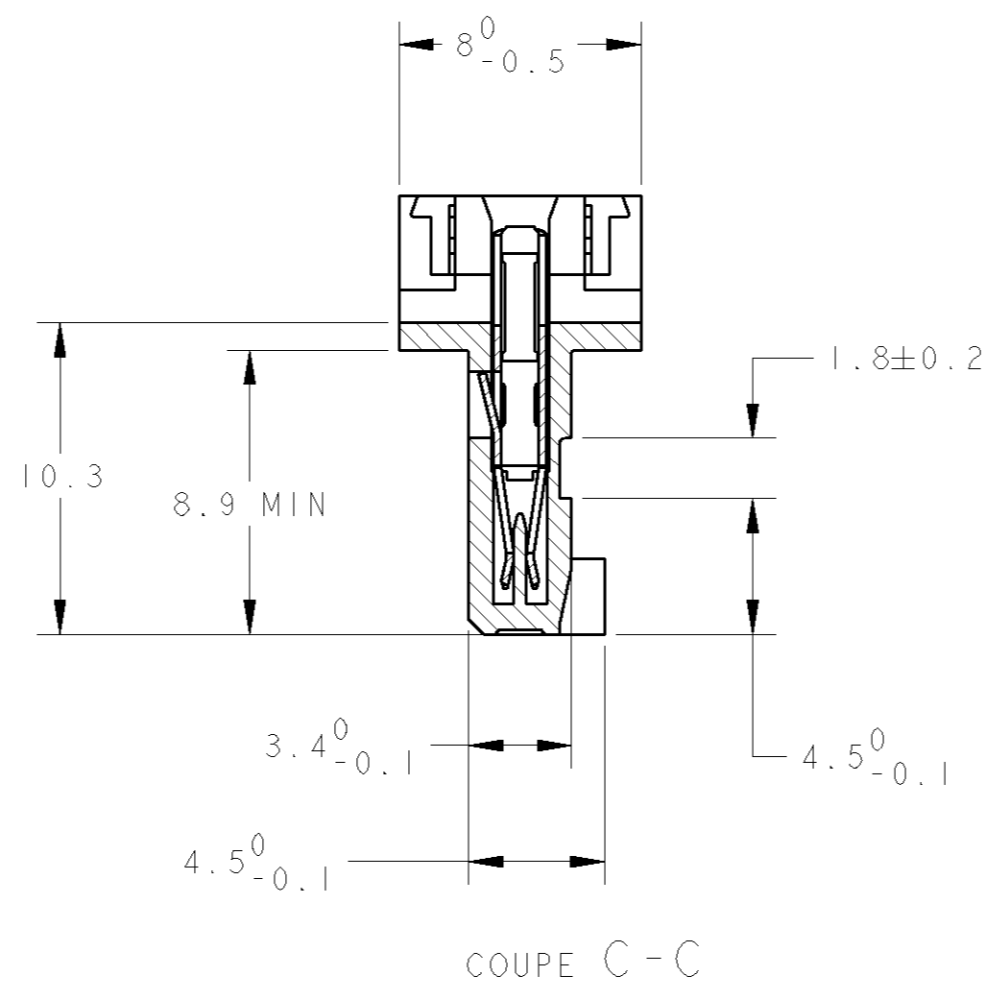
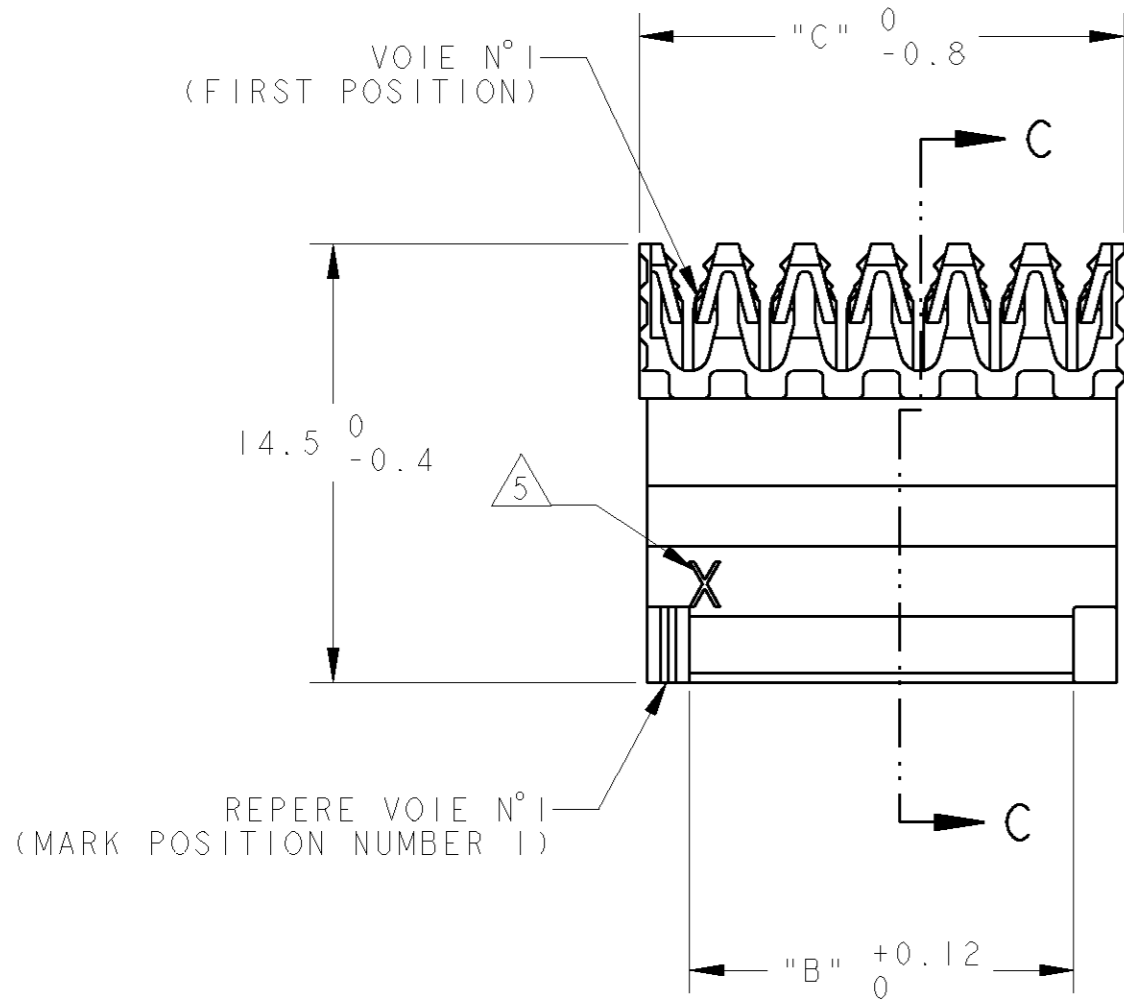
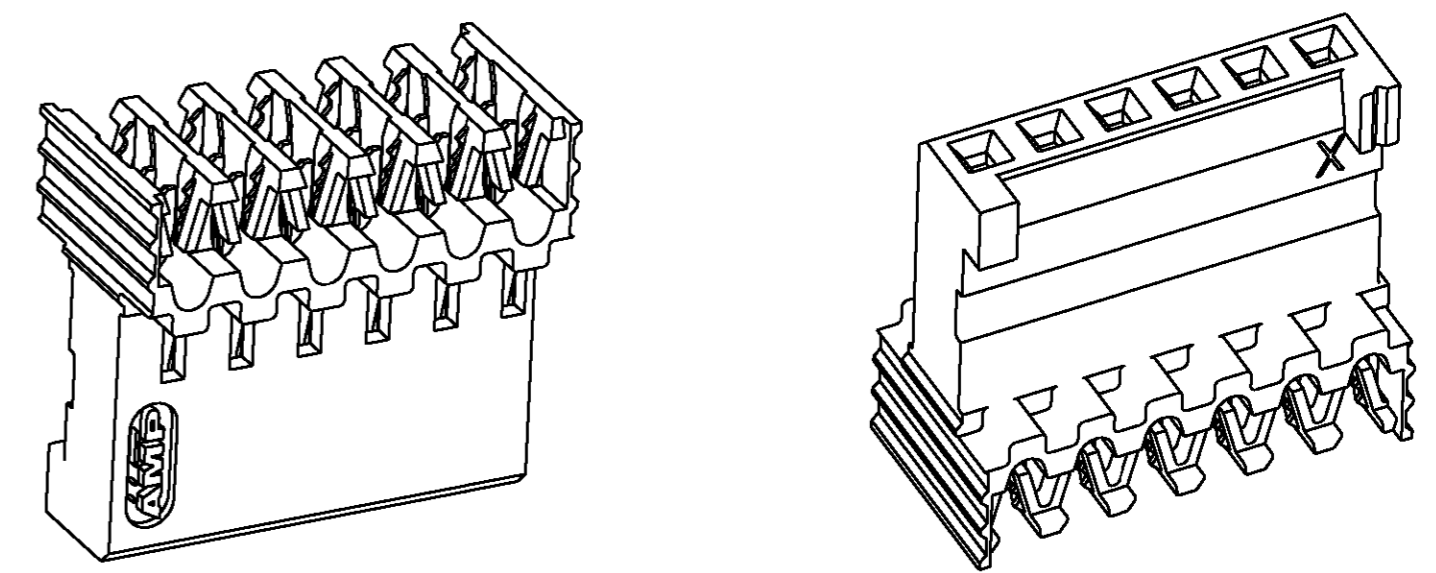
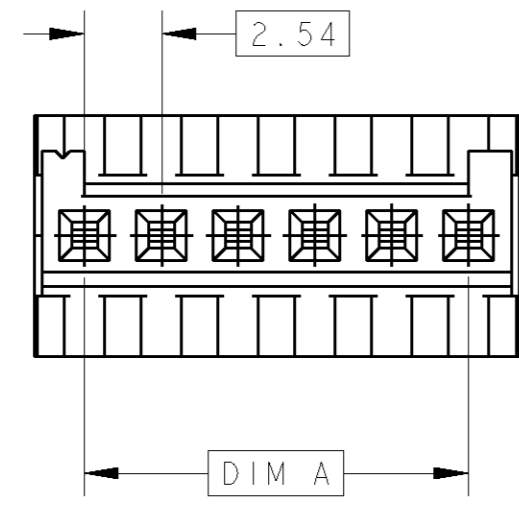


THIS DRAWING IS UNPUBLISHED. DIFFUSION RESTREINTE
 RELEASED FOR PUBLICATION LIBRE A LA DIFFUSION
 20
 BY TYCO ELECTRONICS CORPORATION. ALL RIGHTS RESERVED. TOUS DROITS RESERVES

FILS ADMISSIBLES (ACCEPTABLE WIRES)	
JAUGE (AWG) SECTION / 7 BRINS (7 STRANDS)	26 0.12mm ²
ISOLANT: Ø MAX / MATIERE (INSUL.: Ø MAX / MAT'L)	Ø1 / PVC

REVISIONS					
P	LTR	DESCRIPTION MODIFICATIONS	DATE	DWN BSS	APVD APP.
A		REDESSINE SUR (REDRAWN ON) PRO/ENG	19SEP2002	CC	YP
B		NOTE 3: ETAIN SANS PLOMB (TIN LEAD FREE)	28APR2004	TC	YP



OBSOLETE	9	64.30	60.96	25	2-281711-5	2-144271-5
OBSOLETE	9	61.76	58.42	24	2-281711-4	2-144271-4
OBSOLETE	10	59.22	55.88	23	2-281711-3	2-144271-3
OBSOLETE	10	56.68	53.34	22	2-281711-2	2-144271-2
OBSOLETE	10	54.14	50.80	21	2-281711-1	2-144271-1
OBSOLETE	11	51.60	48.26	20	2-281711-0	2-144271-0
OBSOLETE	12	49.06	45.72	19	1-281711-9	1-144271-9
	12	46.52	43.18	18	1-281711-8 *	1-144271-8 *
OBSOLETE	13	43.98	40.64	17	1-281711-7	1-144271-7
OBSOLETE	14	41.44	38.10	16	1-281711-6	1-144271-6
	15	38.90	35.56	15	1-281711-5 *	1-144271-5 *
OBSOLETE	16	36.36	33.02	14	1-281711-4	1-144271-4
OBSOLETE	17	33.82	30.48	13	1-281711-3	1-144271-3
	18	31.28	27.94	12	1-281711-2 *	1-144271-2 *
OBSOLETE	20	28.74	25.40	11	1-281711-1	1-144271-1
OBSOLETE	20	26.20	22.86	10	1-281711-0 *	1-144271-0 *
OBSOLETE	25	23.66	20.32	9	0-281711-9	0-144271-9
	25	21.12	17.78	8	0-281711-8 *	0-144271-8 *
	30	18.58	15.24	7	0-281711-7	0-144271-7
	35	16.04	12.70	6	0-281711-6 *	0-144271-6 *
	40	13.50	10.16	5	0-281711-5 *	0-144271-5 *
	50	10.96	7.62	4	0-281711-4 *	0-144271-4 *
	70	8.42	5.08	3	0-281711-3 *	0-144271-3 *
	100	5.88	2.54	2	0-281711-2	0-144271-2
QUANT/TUBE	C	A, B	Nb DE POS	4		VRAC (L.P.)
DIMENSIONS		REFERENCES (PART No)				

- 1 CES CONNECTEURS SONT PREVUS POUR ETRE ACCOUPLES AVEC LES EMBASES 'HE1402' SIMPLE RANGEE (THESE CONNECTEURS ARE DESIGNED TO BE MATED WITH 'HE1402' HEADERS SINGLE ROW)
- 2 LES REFERENCES SUIVIES D'UN ' * ' SONT LES VERSIONS NORMALISEES SELON LA 'CEI 603-8' (THE PART-NO FOLLOWED BY ' * ' ARE COVERED BY THE INTERNATIONAL STANDARD 'IEC 603-8')
- 3 REVETEMENT DES CONTACTS: ETAIN SANS PLOMB (THE CONTACTS ARE TIN PLATED LEAD FREE)
- 4 CONNECTEURS CONDITIONNES SOUS TUBE PVC (THESE CONNECTEURS ARE PACKAGED IN TUBE)
- 5 ' X ' EST REMPLACE PAR LE DEUXIEME CHIFFRE DES JAUGES AWG (' X ' REPLACED BY THE SECOND DIGIT OF AWG AS DEFINED IN TABLE)
- 6 MATIERES - BOITIER: PBT UL94V0 - CONTACTS: BRONZE PHOSPHOREUX (MATERIALS - CASE: PBT UL94V0 - CONTACTS: PHOSPHOR BRONZE)

THIS DRAWING IS A CONTROLLED DOCUMENT FOR TYCO ELECTRONICS CORPORATION IT IS SUBJECT TO CHANGE AND THE CONTROLLING ENGINEERING ORGANIZATION SHOULD BE CONTACTED FOR THE LATEST REVISION. CE PLAN EST UN DOCUMENT CONTRÔLÉ PAR AMP INCORPORATED. IL EST SUSCEPTIBLE D'ÊTRE REVISÉ. CONTACTER LE SERVICE TECHNIQUE D'AMP DE FRANCE POUR OBTENIR LA DERNIÈRE RÉVISION.		DWN/DESSINE: 17NOV2000 C. COMBEDOUZON CHK/VERIFIE: 17NOV2000 T. CORRIOLU APVD/APPROUVE: 17NOV2000 Y. PETRONIN		AMP DE FRANCE 95301 PONTOISE	
DIMENSIONS: mm TOLERANCES UNLESS OTHERWISE SPECIFIED: (SUIV NB DE DECIMALES) 0 PLC/DEC: ± 1 PLC/DEC: ±0.3 2 PLC/DEC: ± 3 PLC/DEC: ± 4 PLC/DEC: ± ANGLES: ±°		PRODUCT SPEC: 108-15053 SPEC. APPLICATION: 114-15030		NAME/TITRE: HE 1402 PLUG 90deg IDC SINGLE ROW	
MATERIAL/MATIERE: 6		FINISH/FINITION: 3		SIZE/FORMAT: A2 CAGE CODE: 00779 DRAWING NO: 281711 No PLAN:	
CUSTOMER DRAWING /PLAN CLIENT		UNIQUEMENT POUR REFERENCE		RESTRICTED TO RESERVE A	