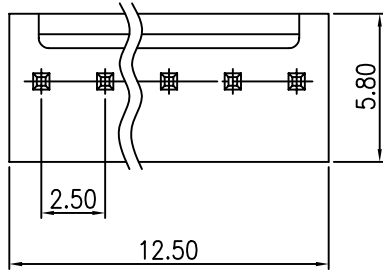


V1.1

REVISIONS							
SYM	DISCRIPTION	DATE	APPROVED	SYM	DISCRIPTION	DATE	APPROVED
△				△			
△				△			

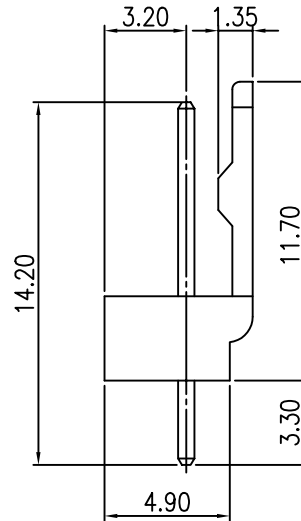
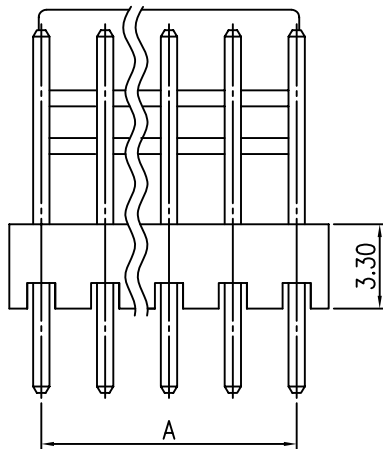
**\*\*CUSTOMER DRAWING FOR REFERENCE ONLY, SAMPLES APPROVAL ARE REQUIRED!!**



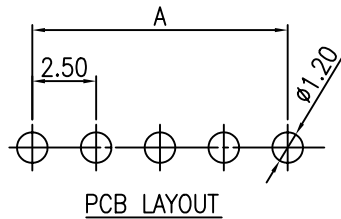
ORDER INFORMATION:  
 MCs005-PXXT  
 MC: WAFER SERIES  
 s: 2.50mm PITCH  
 005: SERIES NO.  
 P: PCB TYPE, STRAIGHT  
 XX: NO. OF CONTACTS  
 T: TERMINAL PLATING, TIN PLATING

SPECIFICATIONS:  
 VOLTAGE RATING: 250V AC, DC  
 CURRENT RATING: 3A AC, DC  
 WITHSTAND VOLTAGE : 1000V AC/minute  
 INSULATION RESISTANCE: 1000 MΩ min  
 TEMPERATURE RANGE: -25°C ~ +85°C  
 (INCLUDING TEMPERATURE RISE IN APPLYING ELECTRICAL CURRENT)  
 CONTACT RESISTANCE: INITIAL VALUE/10MΩ MAX  
 AFTER ENVIRONMENTAL TESTING/20MΩ MAX  
 APPLICABLE PC BOARD THICKNESS: 1.6mm  
 CONTACT RESISTANCE: INITIAL VALUE/20MΩ MAX.  
 AFTER ENVIRONMENTAL TESTING/20MΩ MAX.

MATERIAL:  
 POST: BRASS, TIN PLATED  
 BASE: NYLON 66 UL94V-2  
 Q'TY: 1000 PCS / BAG



PART NO.	Contacts	DIMENSIONS(mm)	
		A	B
MCs005-P02T	1X2	2.50	5.00
MCs005-P03T	1X3	5.00	7.50
MCs005-P04T	1X4	7.50	10.00
MCs005-P05T	1X5	10.00	12.50
MCs005-P06T	1X6	12.50	15.00
MCs005-P07T	1X7	15.00	17.50
MCs005-P08T	1X8	17.50	20.00
MCs005-P09T	1X9	20.00	22.50
MCs005-P10T	1X10	22.50	25.00
MCs005-P11T	1X11	25.00	27.50
MCs005-P12T	1X12	27.50	30.00
MCs005-P13T	1X13	30.00	32.50
MCs005-P14T	1X14	32.50	35.00
MCs005-P15T	1X15	35.00	37.50



MATING	HOUSING	MCs005-XX-H	TERMINAL	MCa006-T
TOLERANCES UNLESS OTHERWISE SPECIFIED ±0.30	SIGNATURES		DATE	MODEL
	DRAWN	VMI	22/AUG/03'	TITLE
SYMBOL △	UNIT	SCALE	NO.	
	mm	5/1	MCs005-P__T	
APPROVALS				
MMT CORPORATION				