

PRODUCT NUMBER
10082201-YXX-XXLF

PLATING
1 = 0.76µm GOLD OR
0.76µm GXT (PdNi WITH
GOLD FLASH)
ON CONTACT AREA
2µm MATTE TIN ON TAIL

LEAD FREE AND RoHS
RoHS COMPATIBLE, NOTE 7.

TOTAL NB OF POSITIONS
02 TO 36

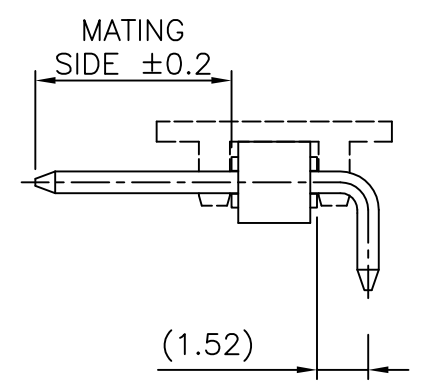
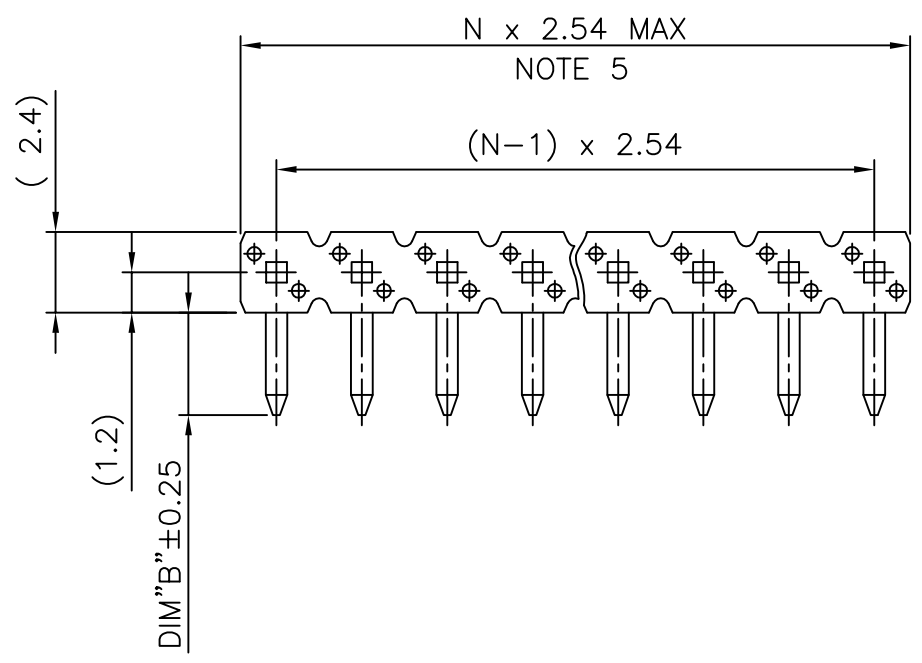
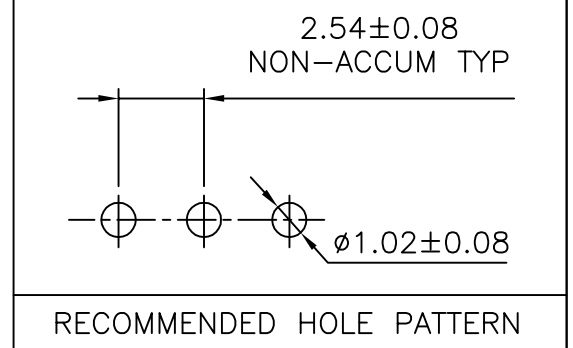
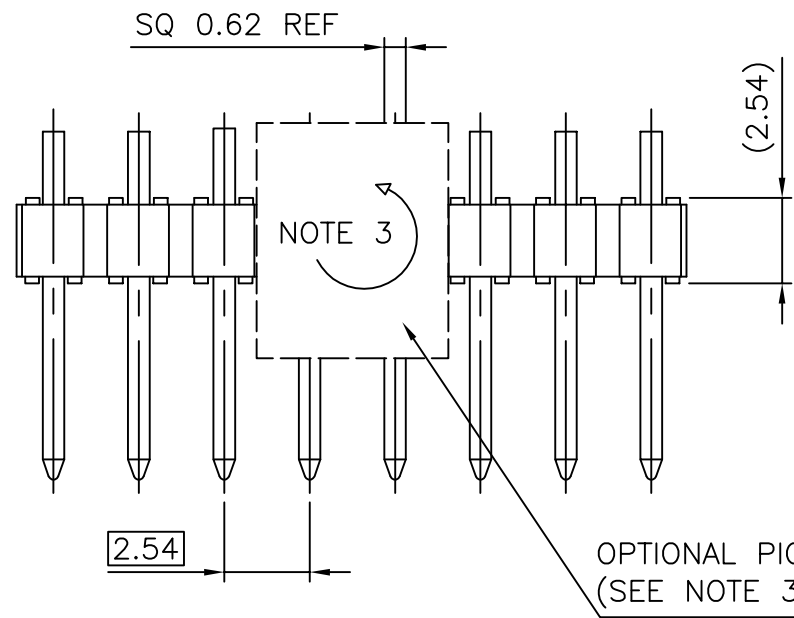
PACKAGING, NOTE 3.

4 = 2µm MATTE TIN
ON CONTACT AREA
AND TAIL
8 = 0.38µm GOLD
ON CONTACT AREA
2µm MATTE TIN
ON TAIL

PIN STYLE	MATING SIDE	DIM "B"
01	5.84	2.50
02	6.75	2.50
03	5.84	3.00
04	6.75	3.00
05	11.60	3.00
06	9.50	4.30

NOTES:

- HOUSING MAT'L : HIGH TEMPERATURE THERMOPLASTIC. UL94V-0 COLOR: BLACK
- PIN MATERIAL : PHOSPHOR BRONZE
- PACKAGING.
 - = POLY BAGS
 - A = TAPE & REEL WITH CAP, SEE TA840 FOR PRODUCT AVAILABILITY. PICK-UP CAP 90° ROTATED FOR ODD NB OF CONTACTS
 - K = TAPE & REEL WITHOUT PICK UP CAP
- 9N MIN RETENTION IN EITHER DIRECTION
- TO DETERMINE DIMENSIONS :
N = NUMBER OF POSITIONS PER ROW
EXAMPLE : 8 POS N x 2.54 = 20.32mm
- UNDERPLATING : 1.27µm Ni MIN
- RoHS COMPATIBLE PRODUCT SPECIFICATIONS
 - PLATING:
 - "LF" MEANS THE PRODUCT IS LEAD-FREE, 2µm MINIMUM MATTE TIN OVER 1.27µm MINIMUM NICKEL UNDERPLATE.
 - MANUFACTURING PROCESS COMPATIBILITY
 - THE HOUSING WILL WITHSTAND EXPOSURE TO 260°C PEAK TEMPERATURE FOR 30 SECONDES IN A CONVECTION, INFRA-RED OR VAPOR PHASE REFLOW OVEN.
 - LABELING:
 - MEETS PACKAGING SPECS AS PER GS-14-920
 - LEGAL STATEMENT: SEE GS-22-008



mat'l. code SEE NOTES				surface ISO 1302 ✓		tolerance ISO 406 ISO 1101		projection mm		product family BERGSTIK	
ltr	ecn no	dr	date	tolerances unless otherwise specified		linear		mm		title UNSHR.HEADER RA SR PIN IN PASTE	
A	F08-0104	LMU	08.01.15	.x ±0.3						dwg no 10082201	
B	F09-0072	JCO	09.07.23	.xx ±0.15						sheet 1 of 1 A3	
C	F12-0032	LMU	12.05.04	.xxx ±0.05						size A3	
				dr	L.MULIN	08.01.15				type CUSTOMER Drawing	
				enr	J.COMPAGNON	08.01.15					
				chr							
				appd	JM.C	08.01.15					
sheet index		revision sheet									