

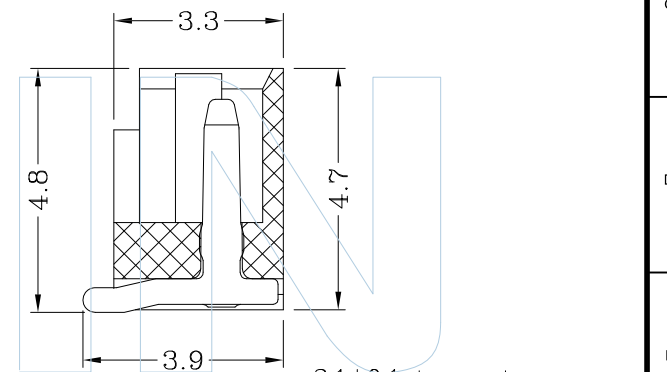
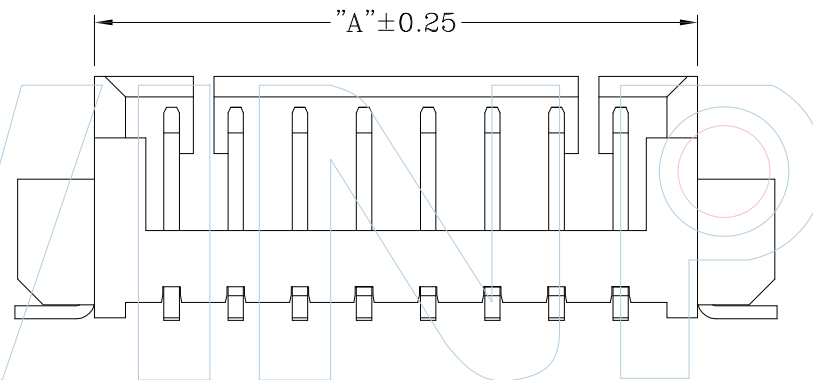
**PART NUMBER CODING**  
**W12501-1 XX M XX X X 1**

No. of pins  
02-18P

Contact plating  
 G0:Gold Flash  
 G1:3U"Gold  
 G2:5U"Gold  
 G3:10U"Gold  
 G4:15U"Gold  
 G5:20U"Gold  
 G6:30U"Gold  
 S0:Gold Flash/Tin  
 S1:3U"Gold/Tin  
 S2:5U"Gold/Tin  
 S3:10U"Gold/Tin  
 S4:15U"Gold/Tin  
 S6:30U"Gold/Tin  
 SN:Tin

Color  
 E=Beige  
 W=White

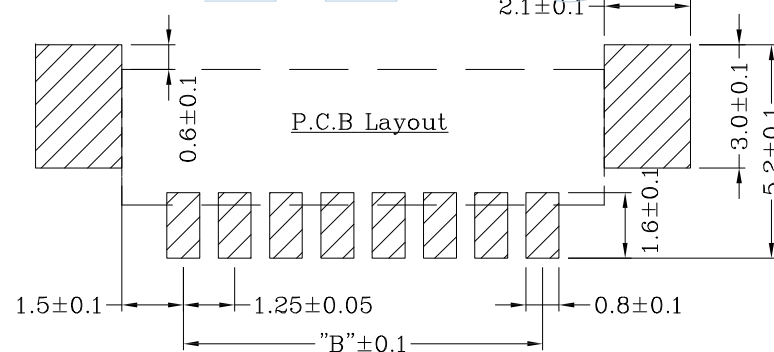
Packing:  
 A=Tray  
 T=Tube  
 R=Tape&Reel



DIM. Poles	DIM A	DIM B	DIM C
2	4.25	1.25	7.55
3	5.50	2.50	8.80
4	6.75	3.75	10.05
5	8.00	5.00	11.30
6	9.25	6.25	12.55
7	10.50	7.50	13.80

DIM. Poles	DIM A	DIM B	DIM C
8	11.75	8.75	15.05
9	13.00	10.00	16.30
10	14.25	11.25	17.55
11	15.50	12.50	18.80
12	16.75	13.75	20.05
13	18.00	15.00	21.30

DIM. Poles	DIM A	DIM B	DIM C
14	19.25	16.25	22.55
15	20.50	17.50	23.80
16	21.75	18.75	25.05
17	23.00	20.00	26.30
18	24.25	21.25	27.55



Tel: +86 769 82581808 FAX: +86 769 81766192  
 E-Mail: sales@winpin.net Http://www.winpin.net

PART NO: W12501-1XXMXXXX1

TITLE: 1.25 Wafer 180°SMT

NOTES:  
 Current Rating: 1.0AMP  
 Withstand Voltage: 500V AC/DC  
 Contact Resistance: 20mΩ Max  
 Insulation Resistance: 1000MΩ Min  
 Operation Temperature: -25°C to +85°C  
 Applicable Wire: AWG#28~#32

Contact Material: Phosphor bronze  
 Solder tab: Phosphor bronze  
 Contact Plating: Au or Sn over Ni  
 Solder tab Plating: Sn over Ni  
 Insulator Material: PA9T(UL94V-0)

UNLESS OTHERWISE SPECIFIED DIMENSIONS ARE IN METRIC TOLERANCES ARE:

DECIMALS Angle ± 3°  
 X.X: ± 0.40  
 X.XX: ± 0.25  
 X.XXX: ± 0.15

SCALE 1:1  
 UNIT MM  
 PROJ.   
 SHEET

REV	DATE	MODIFICATION DESCRIPTION	DRAW	CHANGE	APPROVE
A1	2020/04/28	塑胶材料由PA46变更为PA9T	Jason.Huang		Jason.Huang
A0	2018/06/25	NEW	Jason.Huang		Jason.Huang