

DO NOT SCALE DRAWING DIMENSION IN METRIC

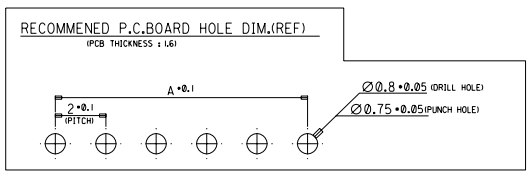
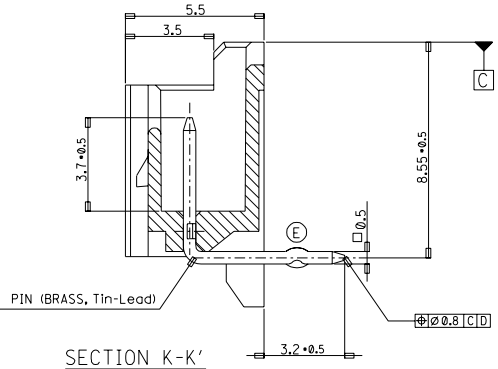
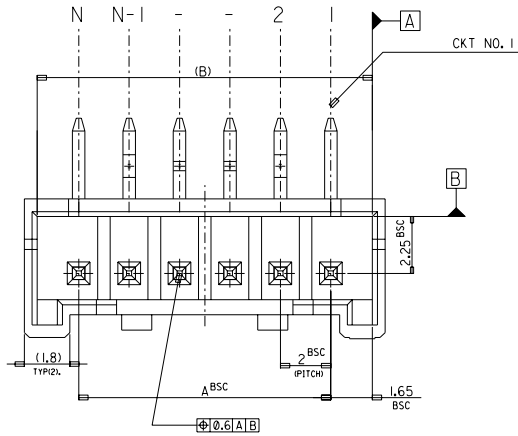
DWG. NO. SD-35363-001

SIMILAR ITEM

PROJECT NO.

C

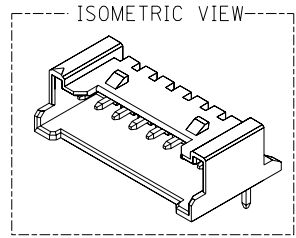
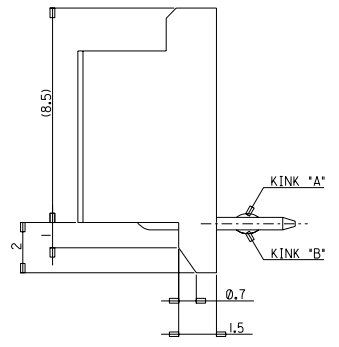
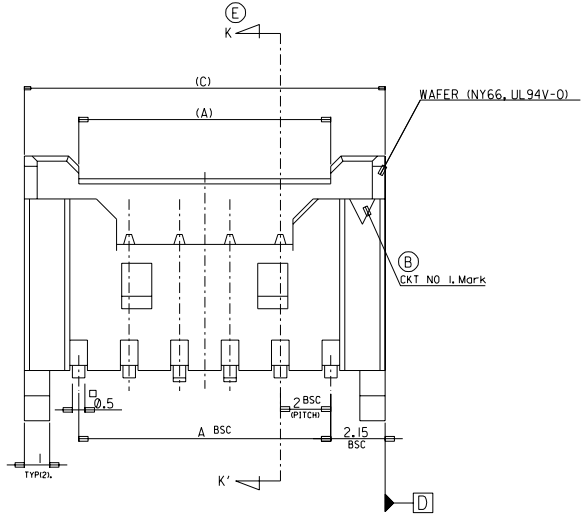
B



LEGEND

SD-35363-**-** | * COLOR

- 0 : NATURAL
- 1 : BLACK
- 2 : RED
- 3 : YELLOW
- 4 : BLUE
- 5 : GREEN



32.3	31.3	28	-15 *	15
30.3	29.3	26	-14 *	14
28.3	27.3	24	-13 *	13
26.3	25.3	22	-12 *	12
24.3	23.3	20	-11 *	11
22.3	21.3	18	-10 *	10
20.3	19.3	16	-09 *	9
18.3	17.3	14	-08 *	8
16.3	15.3	12	-07 *	7
14.3	13.3	10	-06 *	6
12.3	12.3	8	-05 *	5
10.3	9.3	6	35363-04 *	4
(C)	(B)	A	ENG. NO.	CKT

NOTES

- MATING HOUSING : 35507-**-0
MATING TERMINAL : 50212-8000
- KINK

CKT NO	1	2	3	4	5	N-2	N-1	N
6 CKT OVER	-	A	B	-	-	B	A	-
5 CKT	A	B	-	B	A			
4 CKT	A	B	B	A				

3. PRODUCT SPECIFICATION NO : PS-35507-001

30 over	+0.3
10 over 30 under	±0.25
10 under	±0.2
ANGLE	±3°
GENERAL TOLERANCE	F

REVISED
(Changed KINK Direction)
EC NO. KOR-2003-0252
DRWN: YSOOKIM 03/05/10
CHK: YSIKKIM
APPR: CWLEE

QUALITY SYMBOLS
MAJOR
CRITICAL

GENERAL TOLERANCES:
(UNLESS SPECIFIED)

	mm	INCH
4 PLACES	±0.	±.
3 PLACES	±0.	±.
2 PLACES	±0.	±.
1 PLACE	±0.	±.
ANGULAR: ±		

DRAFT WHERE APPLICABLE MUST REMAIN WITHIN DIMENSIONS

SCALE 1 : 1
DESIGN UNITS mm INCH
DRAWN BY & DATE
YSOOKIM 96/09/11
CHECKED BY & DATE
J.K.Oh 96/09/11
APPROVED BY & DATE
C.W.Lee 96/09/11
CAD FILENAME
SD-35363-001-I.DGN

DIMENSIONS: mm INCH mm ONLY

SHT REV
REVISE ON CAD ONLY

TITLE: NEW 2.0 W/B CONN WAFER ASSY (RA)

MOLEX INCORPORATED

CAD FILENAME: SD-35363-001-I.DGN
MATERIAL NO.
DRAWING NO. SD-35363-001
SHEET NO. 1 OF 3

THIS DRAWING CONTAINS INFORMATION THAT IS PROPRIETARY TO MOLEX INCORPORATED AND SHOULD NOT BE USED WITHOUT WRITTEN PERMISSION.

SIZE B

8

7

6

5

4

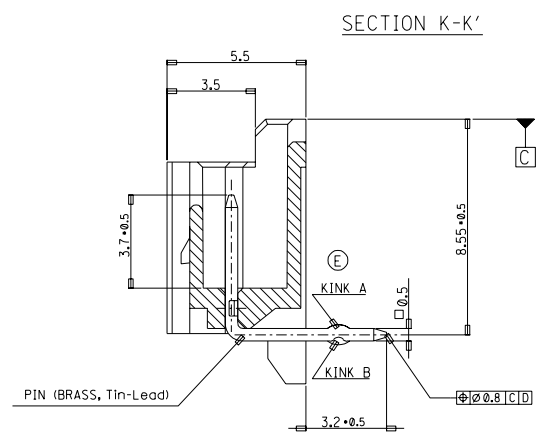
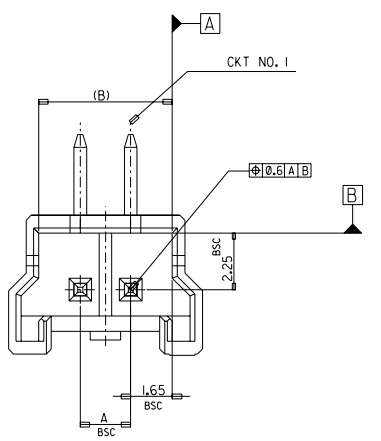
3

2

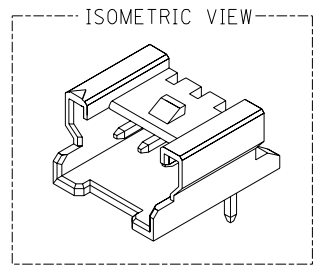
MX-A3

DWG. NO. SD-35363-001
 PROJECT NO. SD-35363-001
 SIMILAR ITEM
 DO NOT SCALE DRAWING DIMENSION IN METRIC

8 7 6 5 4 3 2 1
 F
 E
 D
 C
 B
 A



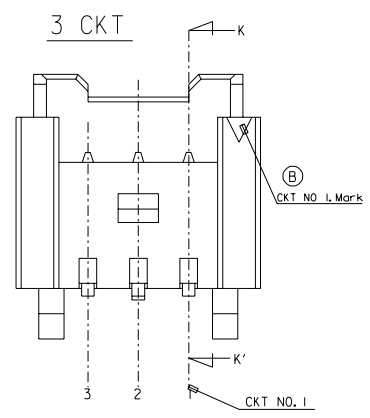
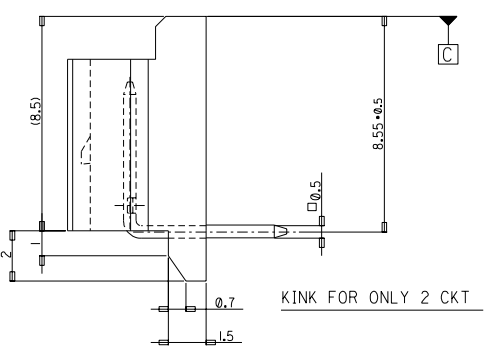
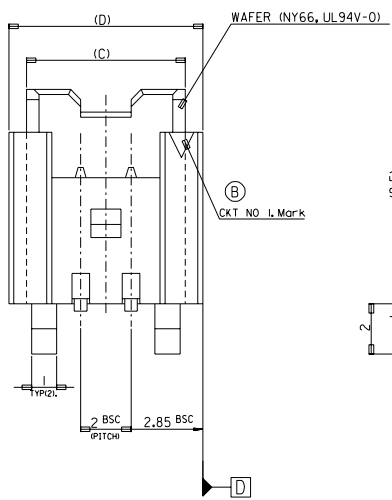
FOR 2 & 3 CKTS.



© LEGEND

SD-35363-*** * COLOR

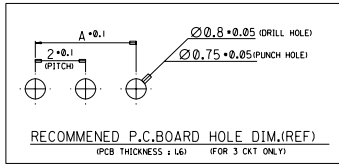
0	: NATURAL
1	: BLACK
2	: RED
3	: YELLOW
4	: BLUE
5	: GREEN



- NOTES
- MATING HOUSING : 35507-**0*
MATING TERMINAL : 50212-8000
 - KINK

CKT NO	1	2	3
2 CKT	NONE	KINK	
3 CKT	A	B	A
 - PRODUCT SPECIFICATION NO : PS-35507-001

9.7	8.3	7.3	4	-031*	3
7.7	6.3	5.3	2	35363-021*	2
(D)	(C)	(B)	A	ENG. NO.	CKT



30 over	±0.3
10 over 30 under	±0.25
10 under	±0.2
ANGLE	±3°
GENERAL TOLERANCE	F

REVISED KINK Direction (Changed KINK Direction) EC NO. KOR-2003-0252 DRAWN: YSOOKIM 03/05/10 CHK: YSIKKIM APPR: CWLEE	DESCRIPTION
MAJOR	QUALITY SYMBOLS
CRITICAL	
C	

GENERAL TOLERANCES: (UNLESS SPECIFIED)	
mm	INCH
4 PLACES	±0. ±.
3 PLACES	±0. ±.
2 PLACES	±0. ±.
1 PLACE	±0. ±.
ANGULAR: ±	
DRAFT WHERE APPLICABLE MUST REMAIN WITHIN DIMENSIONS	

SCALE 1:1	DESIGN UNITS
<input checked="" type="checkbox"/> mm <input type="checkbox"/> INCH	<input checked="" type="checkbox"/> mm <input type="checkbox"/> INCH
DRAWN BY & DATE	
Y.SOOKIM 96/09/11	
CHECKED BY & DATE	
J.K.Oh 96/09/11	
APPROVED BY & DATE	
C.W.Lee 96/09/11	
CAD FILENAME	
SD-35363-001-2.DGN	

DIMENSIONS:		SHT	REV
<input type="checkbox"/> mm <input type="checkbox"/> INCH	<input checked="" type="checkbox"/> mm ONLY		REVISE ON CAD ONLY
THIRD ANGLE PROJECTION			
TITLE:		NEW 2.0 W/B CONN WAFER ASSY (RA)	
MOLEX INCORPORATED			
MATERIAL NO.	DRAWING NO.	SHEET NO.	
	SD-35363-001	2 OF 3	
THIS DRAWING CONTAINS INFORMATION THAT IS PROPRIETARY TO MOLEX INCORPORATED AND SHOULD NOT BE USED WITHOUT WRITTEN PERMISSION.			SIZE B

DWG. NO. SD-35363-001

SIMILAR ITEM

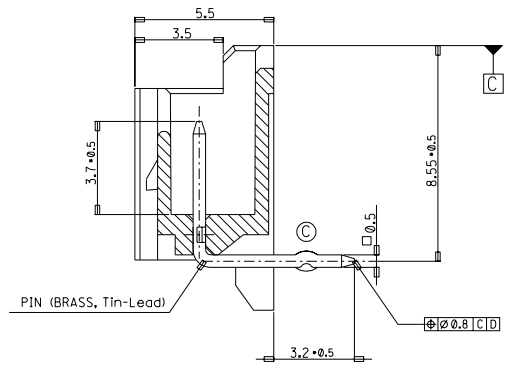
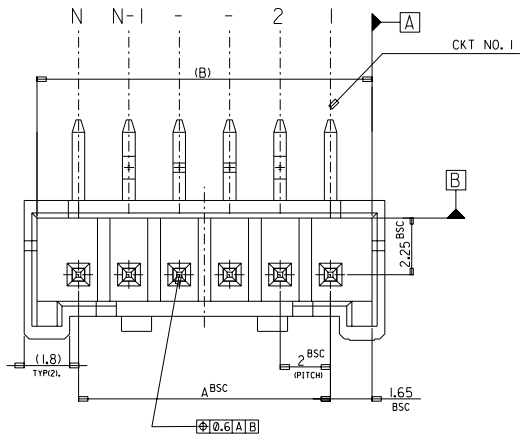
PROJECT NO.

C

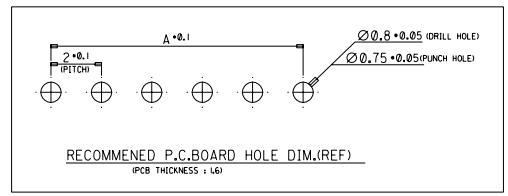
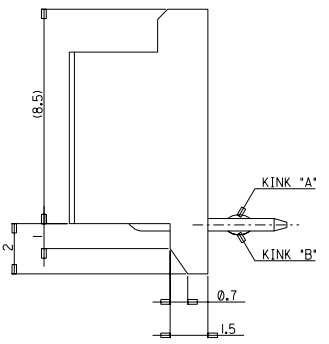
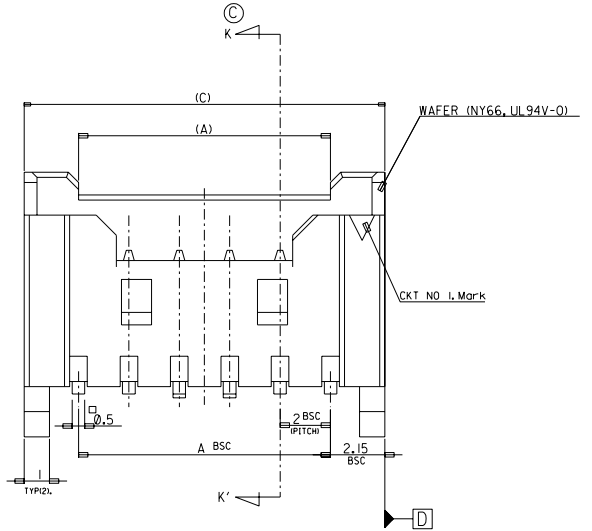
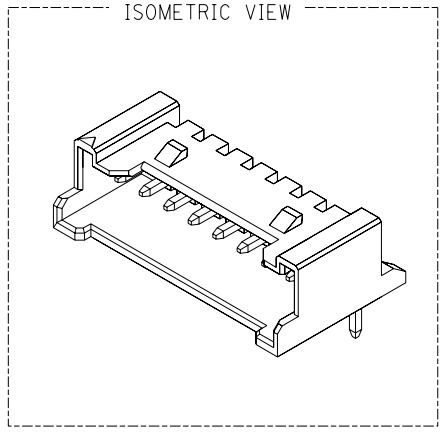
B

DO NOT SCALE DRAWING DIMENSION IN METRIC

8 7 6 5 4 3 2 1



SECTION K-K'



LEGEND

SD-35363-***I * COLOR

- 0 : NATURAL
- 1 : BLACK
- 2 : RED
- 3 : YELLOW
- 4 : BLUE
- 5 : GREEN

42.3	41.3	38	35363-201*	20
(C)	(B)	A	ENG. NO.	CKT

NOTES

- MATING HOUSING : 35507-***0*
MATING TERMINAL : 50212-8000
- KINK

CKT NO	1	2	3	4	N-3	N-2	N-1	N
20	-	A	B	-	-	B	A	-

3. PRODUCT SPECIFICATION NO : PS-35507-001

30 over	±0.3
10 over 30 under	±0.25
10 under	±0.2
ANGLE	±3°
GENERAL TOLERANCE	C

REVISED KINK Direction
 IEC NO. KOR-2003-0252
 DRWN: YSOOKIM 03/05/10
 CHK: YSIKKIM
 APPR: CWLEE

QUALITY SYMBOLS
 MAJOR =
 CRITICAL =

GENERAL TOLERANCES: (UNLESS SPECIFIED)

	mm	INCH
4 PLACES	±0.	±.
3 PLACES	±0.	±.
2 PLACES	±0.	±.
1 PLACE	±0.	±.

ANGULAR: ±

DRAFT WHERE APPLICABLE MUST REMAIN WITHIN DIMENSIONS

SCALE 1:1
 DESIGN UNITS mm INCH
 THIRD ANGLE PROJECTION
 DRAWN BY & DATE
 YSOOKIM 98/04/23
 CHECKED BY & DATE
 J.K.Oh 98/04/23
 APPROVED BY & DATE
 C.W.Lee 98/04/23
 CAD FILENAME
 SD-35363-001-I.DGN

DIMENSIONS: mm INCH mm ONLY
 SHT REV
 REVISIONS
 CAD ONLY
 TITLE: NEW 2.0 W/B CONN
 WAFER ASSY (RA)
MOLEX INCORPORATED
 MATERIAL NO. DRAWING NO. SD-35363-001 SHEET NO. 3 OF 3
 THIS DRAWING CONTAINS INFORMATION THAT IS PROPRIETARY TO MOLEX INCORPORATED AND SHOULD NOT BE USED WITHOUT WRITTEN PERMISSION.
 SIZE B

8 7 6 5 4 3 2 1 MX-A3