

DM5490A

DM5490 Decade and Binary Counters



Literature Number: SNOS261

DM5490/DM7490A, DM7493A Decade and Binary Counters

General Description

Each of these monolithic counters contains four master-slave flip-flops and additional gating to provide a divide-by-two counter and a three-stage binary counter for which the count cycle length is divide-by-five for the 90A and divide-by-eight for the 93A.

All of these counters have a gated zero reset and the 90A also has gated set-to-nine inputs for use in BCD nine's complement applications.

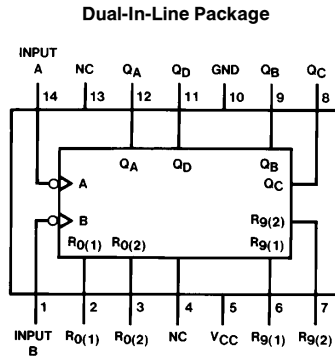
To use their maximum count length (decade or four-bit binary), the B input is connected to the Q_A output. The input count pulses are applied to input A and the outputs are as

described in the appropriate truth table. A symmetrical divide-by-ten count can be obtained from the 90A counters by connecting the Q_D output to the A input and applying the input count to the B input which gives a divide-by-ten square wave at output Q_A .

Features

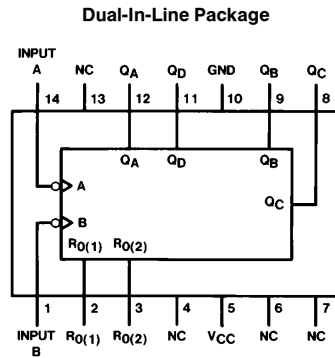
- Typical power dissipation
 - 90A 145 mW
 - 93A 130 mW
- Count frequency 42 MHz

Connection Diagrams



TL/F/6533-1

**Order Number DM5490J, DM5490W or DM7490AN
See NS Package Number J14A, N14A or W14B**



TL/F/6533-2

**Order Number DM7493AN
See NS Package Number N14A**

Absolute Maximum Ratings (Note)

If Military/Aerospace specified devices are required, please contact the National Semiconductor Sales Office/Distributors for availability and specifications.

| | |
|--------------------------------------|-----------------|
| Supply Voltage | 7V |
| Input Voltage | 5.5V |
| Operating Free Air Temperature Range | |
| DM54 | −55°C to +125°C |
| DM74 | 0°C to +70°C |
| Storage Temperature Range | −65°C to +150°C |

Note: The "Absolute Maximum Ratings" are those values beyond which the safety of the device cannot be guaranteed. The device should not be operated at these limits. The parametric values defined in the "Electrical Characteristics" table are not guaranteed at the absolute maximum ratings. The "Recommended Operating Conditions" table will define the conditions for actual device operation.

Recommended Operating Conditions

| Symbol | Parameter | | DM5490 | | | DM7490A | | | Units |
|------------------|--------------------------------|-------|--------|-----|------|---------|-----|------|-------|
| | | | Min | Nom | Max | Min | Nom | Max | |
| V _{CC} | Supply Voltage | | 4.5 | 5 | 5.5 | 4.75 | 5 | 5.25 | V |
| V _{IH} | High Level Input Voltage | | 2 | | | 2 | | | V |
| V _{IL} | Low Level Input Voltage | | | | 0.8 | | | 0.8 | V |
| I _{OH} | High Level Output Current | | | | −0.8 | | | −0.8 | mA |
| I _{OL} | Low Level Output Current | | | | 16 | | | 16 | mA |
| f _{CLK} | Clock Frequency (Note 5) | A | 0 | | 32 | 0 | | 32 | MHz |
| | | B | 0 | | 16 | 0 | | 16 | |
| t _w | Pulse Width (Note 5) | A | 15 | | | 15 | | | ns |
| | | B | 30 | | | 30 | | | |
| | | Reset | 15 | | | 15 | | | |
| t _{REL} | Reset Release Time (Note 5) | | 25 | | | 25 | | | ns |
| T _A | Free Air Operating Temperature | | −55 | | 125 | 0 | | 70 | °C |

'90A Electrical Characteristics

over recommended operating free air temperature range (unless otherwise noted)

| Symbol | Parameter | Conditions | Min | Typ (Note 1) | Max | Units |
|-----------------|-----------------------------------|---|-------|--------------|------|-------|
| V _I | Input Clamp Voltage | V _{CC} = Min, I _I = −12 mA | | | −1.5 | V |
| V _{OH} | High Level Output Voltage | V _{CC} = Min, I _{OH} = Max V _{IL} = Max, V _{IH} = Min | 2.4 | 3.4 | | V |
| V _{OL} | Low Level Output Voltage | V _{CC} = Min, I _{OL} = Max V _{IH} = Min, V _{IL} = Max (Note 4) | | 0.2 | 0.4 | V |
| I _I | Input Current @ Max Input Voltage | V _{CC} = Max, V _I = 5.5V | | | 1 | mA |
| I _{IH} | High Level Input Current | V _{CC} = Max V _I = 2.7V | A | | 80 | μA |
| | | | Reset | | 40 | |
| | | | B | | 120 | |
| I _{IL} | Low Level Input Current | V _{CC} = Max V _I = 0.4V | A | | −3.2 | mA |
| | | | Reset | | −1.6 | |
| | | | B | | −4.8 | |
| I _{OS} | Short Circuit Output Current | V _{CC} = Max (Note 2) | DM54 | −20 | −57 | mA |
| | | | DM74 | −18 | −57 | |
| I _{CC} | Supply Current | V _{CC} = Max (Note 3) | | 29 | 42 | mA |

Note 1: All typicals are at V_{CC} = 5V, T_A = 25°C.

Note 2: Not more than one output should be shorted at a time.

Note 3: I_{CC} is measured with all outputs open, both RO inputs grounded following momentary connection to 4.5V, and all other inputs grounded.

Note 4: Q_A outputs are tested at I_{OL} = Max plus the limit value of I_{IL} for the B input. This permits driving the B input while maintaining full fan-out capability.

Note 5: T_A = 25°C and V_{CC} = 5V.

'90A Switching Characteristics

at $V_{CC} = 5V$ and $T_A = 25^\circ C$ (See Section 1 for Test Waveforms and Output Load)

| Symbol | Parameter | From (Input) To (Output) | $R_L = 400\Omega$ $C_L = 15\text{ pF}$ | | Units |
|-----------|--|-----------------------------|---|-----|-------|
| | | | Min | Max | |
| f_{MAX} | Maximum Clock Frequency | A to Q_A | 32 | | MHz |
| | | B to Q_B | 16 | | |
| t_{PLH} | Propagation Delay Time Low to High Level Output | A to Q_A | | 16 | ns |
| t_{PHL} | Propagation Delay Time High to Low Level Output | A to Q_A | | 18 | ns |
| t_{PLH} | Propagation Delay Time Low to High Level Output | A to Q_D | | 48 | ns |
| t_{PHL} | Propagation Delay Time High to Low Level Output | A to Q_D | | 50 | ns |
| t_{PLH} | Propagation Delay Time Low to High Level Output | B to Q_B | | 16 | ns |
| t_{PHL} | Propagation Delay Time High to Low Level Output | B to Q_B | | 21 | ns |
| t_{PLH} | Propagation Delay Time Low to High Level Output | B to Q_C | | 32 | ns |
| t_{PHL} | Propagation Delay Time High to Low Level Output | B to Q_C | | 35 | ns |
| t_{PLH} | Propagation Delay Time Low to High Level Output | B to Q_D | | 32 | ns |
| t_{PHL} | Propagation Delay Time High to Low Level Output | B to Q_D | | 35 | ns |
| t_{PLH} | Propagation Delay Time Low to High Level Output | SET-9 to Q_A, Q_D | | 30 | ns |
| t_{PHL} | Propagation Delay Time High to Low Level Output | SET-9 to Q_B, Q_C | | 40 | ns |
| t_{PHL} | Propagation Delay Time High to Low Level Output | SET-0 Any Q | | 40 | ns |

Recommended Operating Conditions

| Symbol | Parameter | DM7493A | | | Units |
|------------------|--------------------------------|---------|-----|------|-------|
| | | Min | Nom | Max | |
| V _{CC} | Supply Voltage | 4.75 | 5 | 5.25 | V |
| V _{IH} | High Level Input Voltage | 2 | | | V |
| V _{IL} | Low Level Input Voltage | | | 0.8 | V |
| I _{OH} | High Level Output Current | | | -0.8 | mA |
| I _{OL} | Low Level Output Current | | | 16 | mA |
| f _{CLK} | Clock Frequency (Note 5) | A | 0 | 32 | MHz |
| | | B | 0 | 16 | |
| t _w | Pulse Width (Note 5) | A | 15 | | ns |
| | | B | 30 | | |
| | | Reset | 15 | | |
| t _{REL} | Reset Release Time (Note 5) | 25 | | | ns |
| T _A | Free Air Operating Temperature | 0 | | 70 | °C |

'93A Electrical Characteristics

over recommended operating free air temperature range (unless otherwise noted)

| Symbol | Parameter | Conditions | Min | Typ (Note 1) | Max | Units |
|-----------------|-----------------------------------|---|-------|--------------|------|-------|
| V _I | Input Clamp Voltage | V _{CC} = Min, I _I = -12 mA | | | -1.5 | V |
| V _{OH} | High Level Output Voltage | V _{CC} = Min, I _{OH} = Max V _{IL} = Max, V _{IH} = Min | 2.4 | 3.4 | | V |
| V _{OL} | Low Level Output Voltage | V _{CC} = Min, I _{OL} = Max V _{IH} = Min, V _{IL} = Max (Note 4) | | 0.2 | 0.4 | V |
| I _I | Input Current @ Max Input Voltage | V _{CC} = Max, V _I = 5.5V | | | 1 | mA |
| I _{IH} | High Level Input Current | V _{CC} = Max V _I = 2.4V | Reset | | 40 | μA |
| | | | A | | 80 | |
| | | | B | | 80 | |
| I _{IL} | Low Level Input Current | V _{CC} = Max V _I = 0.4V | Reset | | -1.6 | mA |
| | | | A | | -3.2 | |
| | | | B | | -3.2 | |
| I _{OS} | Short Circuit Output Current | V _{CC} = Max (Note 2) | -18 | | -57 | mA |
| I _{CC} | Supply Current | V _{CC} = Max (Note 3) | | 26 | 39 | mA |

Note 1: All typicals are at V_{CC} = 5V, T_A = 25°C.

Note 2: Not more than one output should be shorted at a time.

Note 3: I_{CC} is measured with all outputs open, both R0 inputs grounded following momentary connection to 4.5V and all other inputs grounded.

Note 4: Q_A outputs are tested at I_{OL} = Max plus the limit value of I_{IL} for the B input. This permits driving the B input while maintaining full fan-out capability.

Note 5: T_A = 25°C and V_{CC} = 5V.

'93A Switching Characteristics

at $V_{CC} = 5V$ and $T_A = 25^\circ C$ (See Section 1 for Test Waveforms and Output Load)

| Symbol | Parameter | From (Input) To (Output) | $R_L = 400\Omega$ $C_L = 15\text{ pF}$ | | Units |
|-----------|--|-----------------------------|---|-----|-------|
| | | | Min | Max | |
| f_{MAX} | Maximum Clock Frequency | A to Q_A | 32 | | MHz |
| | | B to Q_B | 16 | | |
| t_{PLH} | Propagation Delay Time Low to High Level Output | A to Q_A | | 16 | ns |
| t_{PHL} | Propagation Delay Time High to Low Level Output | A to Q_A | | 18 | ns |
| t_{PLH} | Propagation Delay Time Low to High Level Output | A to Q_D | | 70 | ns |
| t_{PHL} | Propagation Delay Time High to Low Level Output | A to Q_D | | 70 | ns |
| t_{PLH} | Propagation Delay Time Low to High Level Output | B to Q_B | | 16 | ns |
| t_{PHL} | Propagation Delay Time High to Low Level Output | B to Q_B | | 21 | ns |
| t_{PLH} | Propagation Delay Time Low to High Level Output | B to Q_C | | 32 | ns |
| t_{PHL} | Propagation Delay Time High to Low Level Output | B to Q_C | | 35 | ns |
| t_{PLH} | Propagation Delay Time Low to High Level Output | B to Q_D | | 51 | ns |
| t_{PHL} | Propagation Delay Time High to Low Level Output | B to Q_D | | 51 | ns |
| t_{PHL} | Propagation Delay Time High to Low Level Output | SET-0 to Any Q | | 40 | ns |

Function Tables (Note D)

90A
BCD Count Sequence
(See Note A)

| Count | Outputs | | | |
|-------|----------------|----------------|----------------|----------------|
| | Q _D | Q _C | Q _B | Q _A |
| 0 | L | L | L | L |
| 1 | L | L | L | H |
| 2 | L | L | H | L |
| 3 | L | L | H | H |
| 4 | L | H | L | L |
| 5 | L | H | L | H |
| 6 | L | H | H | L |
| 7 | L | H | H | H |
| 8 | H | L | L | L |
| 9 | H | L | L | H |

90A
BCD Bi-Quinary (5-2)
(See Note B)

| Count | Outputs | | | |
|-------|----------------|----------------|----------------|----------------|
| | Q _A | Q _D | Q _C | Q _B |
| 0 | L | L | L | L |
| 1 | L | L | L | H |
| 2 | L | L | H | L |
| 3 | L | L | H | H |
| 4 | L | H | L | L |
| 5 | H | L | L | L |
| 6 | H | L | L | H |
| 7 | H | L | H | L |
| 8 | H | L | H | H |
| 9 | H | H | L | L |

93A
Count Sequence
(See Note C)

| Count | Outputs | | | |
|-------|----------------|----------------|----------------|----------------|
| | Q _D | Q _C | Q _B | Q _A |
| 0 | L | L | L | L |
| 1 | L | L | L | H |
| 2 | L | L | H | L |
| 3 | L | L | H | H |
| 4 | L | H | L | L |
| 5 | L | H | L | H |
| 6 | L | H | H | L |
| 7 | L | H | H | H |
| 8 | H | L | L | L |
| 9 | H | L | L | H |
| 10 | H | L | H | L |
| 11 | H | L | H | H |
| 12 | H | H | L | L |
| 13 | H | H | L | H |
| 14 | H | H | H | L |
| 15 | H | H | H | H |

90A
Reset/Count Function Table

| Reset Inputs | | | | Outputs | | | |
|--------------|-------|-------|-------|----------------|----------------|----------------|----------------|
| R0(1) | R0(2) | R9(1) | R9(2) | Q _D | Q _C | Q _B | Q _A |
| H | H | L | X | L | L | L | L |
| H | H | X | L | L | L | L | L |
| X | X | H | H | H | L | L | H |
| X | L | X | L | | | | COUNT |
| L | X | L | X | | | | COUNT |
| L | X | X | L | | | | COUNT |
| X | L | L | X | | | | COUNT |

93A
Reset/Count Function Table

| Reset Inputs | | Outputs | | | |
|--------------|-------|----------------|----------------|----------------|----------------|
| R0(1) | R0(2) | Q _D | Q _C | Q _B | Q _A |
| H | H | L | L | L | L |
| L | X | | | | COUNT |
| X | L | | | | COUNT |

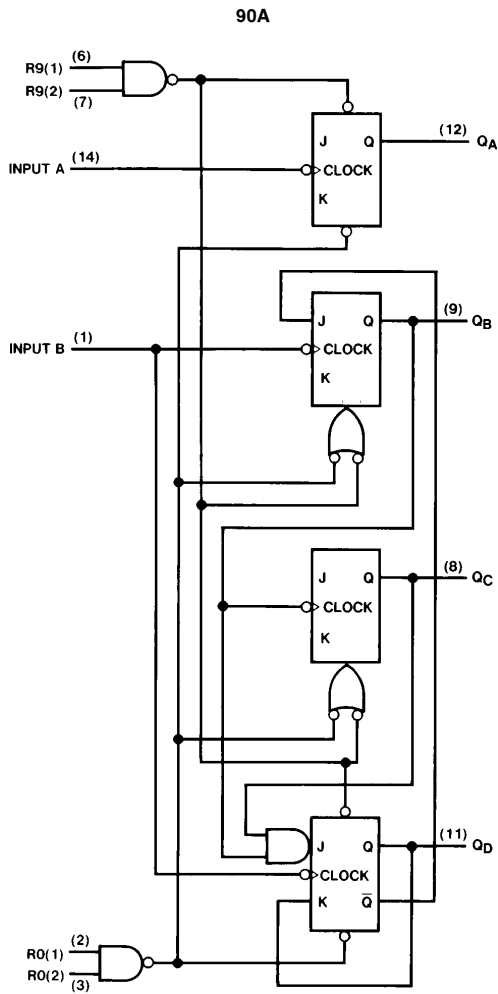
Note A: Output Q_A is connected to input B for BCD count.

Note B: Output Q_D is connected to input A for bi-quinary count.

Note C: Output Q_A is connected to input B.

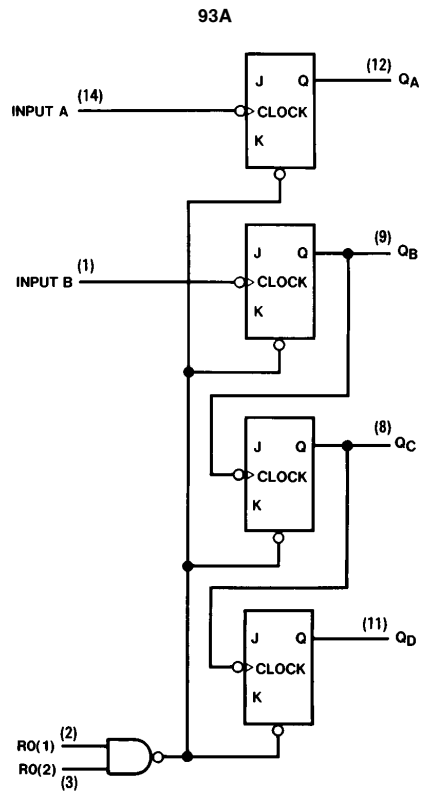
Note D: H = High Level, L = Low Level, X = Don't Care.

Logic Diagrams



TL/F/6533-3

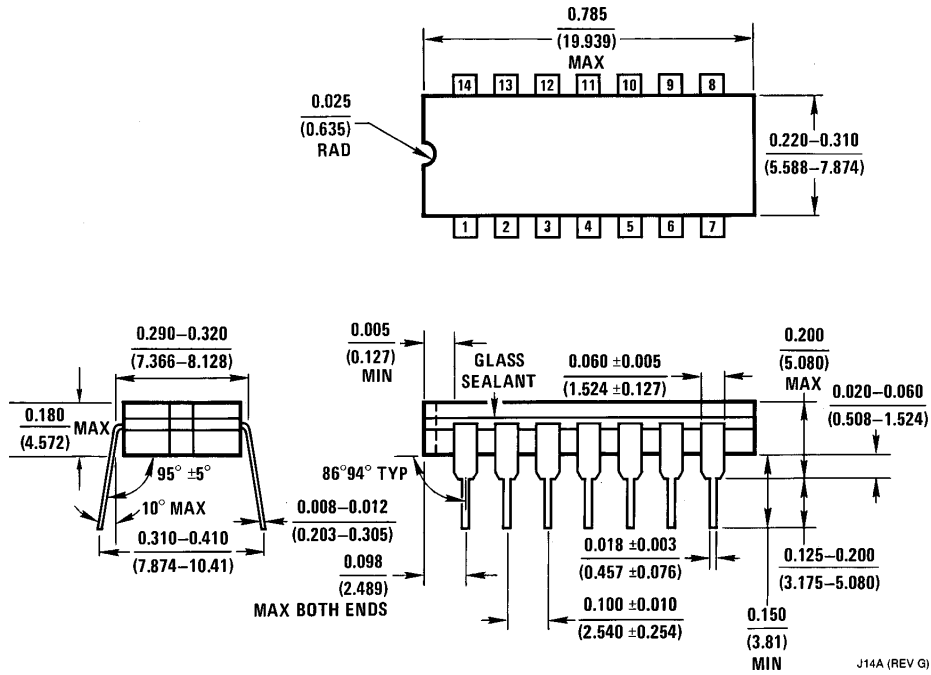
The J and K inputs shown without connection are for reference only and are functionally at a high level.



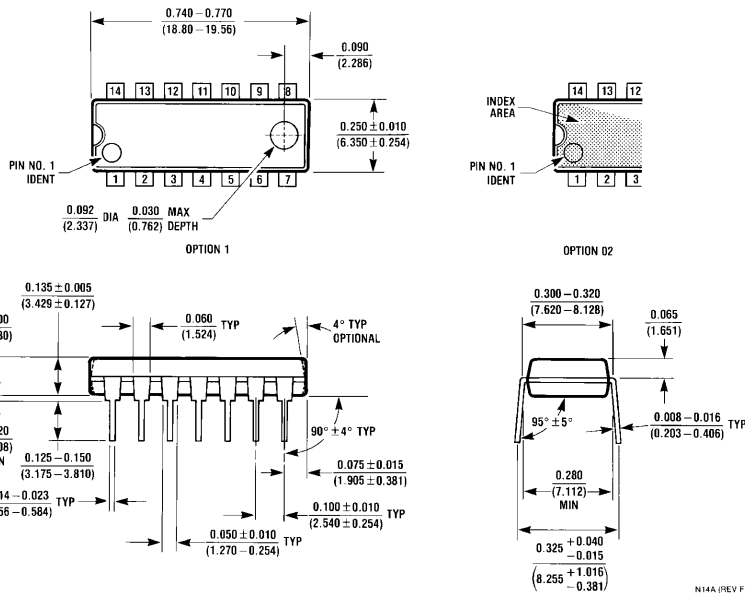
TL/F/6533-4



Physical Dimensions inches (millimeters)



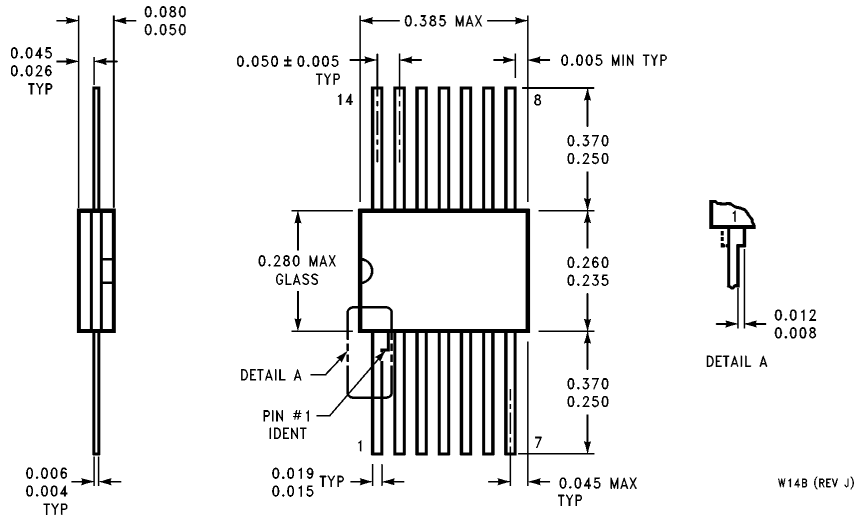
14-Lead Ceramic Dual-In-Line Package (J)
Order Number DM5490J
NS Package Number J14A



14-Lead Molded Dual-In-Line Package (N)
Order Number DM7490AN or DM7493AN
NS Package Number N14A

**DM5490/DM7490A, DM7493A
Decade and Binary Counters**

Physical Dimensions inches (millimeters) (Continued)



**14-Lead Ceramic Flat Package (W)
Order Number DM5490W
NS Package Number W14B**

W14B (REV J)

LIFE SUPPORT POLICY

NATIONAL'S PRODUCTS ARE NOT AUTHORIZED FOR USE AS CRITICAL COMPONENTS IN LIFE SUPPORT DEVICES OR SYSTEMS WITHOUT THE EXPRESS WRITTEN APPROVAL OF THE PRESIDENT OF NATIONAL SEMICONDUCTOR CORPORATION. As used herein:

1. Life support devices or systems are devices or systems which, (a) are intended for surgical implant into the body, or (b) support or sustain life, and whose failure to perform, when properly used in accordance with instructions for use provided in the labeling, can be reasonably expected to result in a significant injury to the user.
2. A critical component is any component of a life support device or system whose failure to perform can be reasonably expected to cause the failure of the life support device or system, or to affect its safety or effectiveness.



National Semiconductor Corporation
1111 West Bardin Road
Arlington, TX 76017
Tel: 1(800) 272-9959
Fax: 1(800) 737-7018

National Semiconductor Europe
Fax: (+49) 0-180-530 85 86
Email: cnjwge@tevm2.nsc.com
Deutsch Tel: (+49) 0-180-530 85 85
English Tel: (+49) 0-180-532 78 32
Français Tel: (+49) 0-180-532 93 58
Italiano Tel: (+49) 0-180-534 16 80

National Semiconductor Hong Kong Ltd.
19th Floor, Straight Block,
Ocean Centre, 5 Canton Rd.
Tsimshatsui, Kowloon
Hong Kong
Tel: (852) 2737-1600
Fax: (852) 2736-9960

National Semiconductor Japan Ltd.
Tel: 81-043-299-2309
Fax: 81-043-299-2408

National does not assume any responsibility for use of any circuitry described, no circuit patent licenses are implied and National reserves the right at any time without notice to change said circuitry and specifications.

IMPORTANT NOTICE

Texas Instruments Incorporated and its subsidiaries (TI) reserve the right to make corrections, modifications, enhancements, improvements, and other changes to its products and services at any time and to discontinue any product or service without notice. Customers should obtain the latest relevant information before placing orders and should verify that such information is current and complete. All products are sold subject to TI's terms and conditions of sale supplied at the time of order acknowledgment.

TI warrants performance of its hardware products to the specifications applicable at the time of sale in accordance with TI's standard warranty. Testing and other quality control techniques are used to the extent TI deems necessary to support this warranty. Except where mandated by government requirements, testing of all parameters of each product is not necessarily performed.

TI assumes no liability for applications assistance or customer product design. Customers are responsible for their products and applications using TI components. To minimize the risks associated with customer products and applications, customers should provide adequate design and operating safeguards.

TI does not warrant or represent that any license, either express or implied, is granted under any TI patent right, copyright, mask work right, or other TI intellectual property right relating to any combination, machine, or process in which TI products or services are used. Information published by TI regarding third-party products or services does not constitute a license from TI to use such products or services or a warranty or endorsement thereof. Use of such information may require a license from a third party under the patents or other intellectual property of the third party, or a license from TI under the patents or other intellectual property of TI.

Reproduction of TI information in TI data books or data sheets is permissible only if reproduction is without alteration and is accompanied by all associated warranties, conditions, limitations, and notices. Reproduction of this information with alteration is an unfair and deceptive business practice. TI is not responsible or liable for such altered documentation. Information of third parties may be subject to additional restrictions.

Resale of TI products or services with statements different from or beyond the parameters stated by TI for that product or service voids all express and any implied warranties for the associated TI product or service and is an unfair and deceptive business practice. TI is not responsible or liable for any such statements.

TI products are not authorized for use in safety-critical applications (such as life support) where a failure of the TI product would reasonably be expected to cause severe personal injury or death, unless officers of the parties have executed an agreement specifically governing such use. Buyers represent that they have all necessary expertise in the safety and regulatory ramifications of their applications, and acknowledge and agree that they are solely responsible for all legal, regulatory and safety-related requirements concerning their products and any use of TI products in such safety-critical applications, notwithstanding any applications-related information or support that may be provided by TI. Further, Buyers must fully indemnify TI and its representatives against any damages arising out of the use of TI products in such safety-critical applications.

TI products are neither designed nor intended for use in military/aerospace applications or environments unless the TI products are specifically designated by TI as military-grade or "enhanced plastic." Only products designated by TI as military-grade meet military specifications. Buyers acknowledge and agree that any such use of TI products which TI has not designated as military-grade is solely at the Buyer's risk, and that they are solely responsible for compliance with all legal and regulatory requirements in connection with such use.

TI products are neither designed nor intended for use in automotive applications or environments unless the specific TI products are designated by TI as compliant with ISO/TS 16949 requirements. Buyers acknowledge and agree that, if they use any non-designated products in automotive applications, TI will not be responsible for any failure to meet such requirements.

Following are URLs where you can obtain information on other Texas Instruments products and application solutions:

Products

| | |
|------------------------|--|
| Audio | www.ti.com/audio |
| Amplifiers | amplifier.ti.com |
| Data Converters | dataconverter.ti.com |
| DLP® Products | www.dlp.com |
| DSP | dsp.ti.com |
| Clocks and Timers | www.ti.com/clocks |
| Interface | interface.ti.com |
| Logic | logic.ti.com |
| Power Mgmt | power.ti.com |
| Microcontrollers | microcontroller.ti.com |
| RFID | www.ti-rfid.com |
| OMAP Mobile Processors | www.ti.com/omap |
| Wireless Connectivity | www.ti.com/wirelessconnectivity |

Applications

| | |
|-------------------------------|--|
| Communications and Telecom | www.ti.com/communications |
| Computers and Peripherals | www.ti.com/computers |
| Consumer Electronics | www.ti.com/consumer-apps |
| Energy and Lighting | www.ti.com/energy |
| Industrial | www.ti.com/industrial |
| Medical | www.ti.com/medical |
| Security | www.ti.com/security |
| Space, Avionics and Defense | www.ti.com/space-avionics-defense |
| Transportation and Automotive | www.ti.com/automotive |
| Video and Imaging | www.ti.com/video |

TI E2E Community Home Page

e2e.ti.com

Mailing Address: Texas Instruments, Post Office Box 655303, Dallas, Texas 75265
Copyright © 2011, Texas Instruments Incorporated