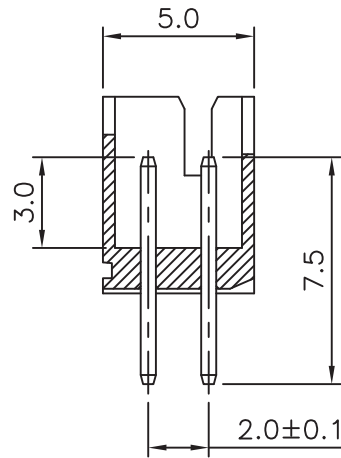
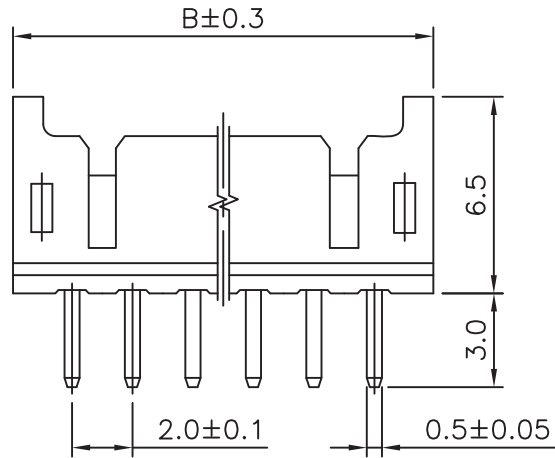


RECOMMEND PCB LAYOUT



# of Contacts	Dimensions(mm)	
	A	B
3x2	4.00	7.90
4x2	6.00	9.90
5x2	8.00	11.90
6x2	10.00	13.90
7x2	12.00	15.90
8x2	14.00	17.90
9x2	16.00	19.90
10x2	18.00	21.90
11x2	20.00	23.90
12x2	22.00	25.90
13x2	24.00	27.90
14x2	26.00	29.90
15x2	28.00	31.90
16x2	30.00	33.90

ELECTRICAL:

CURRENT RATING: 2A AC/DC
 VOLTAGE RATING: 100V AC/DC
 CONTACT RESISTANCE: 20 mΩ max.
 WITHSTANDING VOLTAGE: 800V AC for 1 min.
 INSULATION RESISTANCE: 1000 MΩ min.
 TEMPERATURE RANGE: -25°C to 85°C

MATERIAL:

CONTACT: Copper Alloy, Tin Plated
 INSULATOR: Nylon 66 UL94V-0

HOW TO ORDER:

W 0 3 4 - X X 1 0 - X 0 0 - Z

OF POSITIONS:
 02 - 32 Position

PACKAGING:
 2 - Tube
 3 - Tray

**RoHS
 COMPLIANT**

HOUSING & TERMINATION TYPE:
 1 - Vertical Header Thru Hole

Rev	Drawn	Checked	Approved	Date
0	B.S.	S.M.	S.M.	5/3/07

SMP TECHNOLOGY, INC.

SCALE:n/a Header, 2.0mm Pitch, Vertical, Thru Hole, JST PHD Type