

LR256 White LED Step-Up Converter

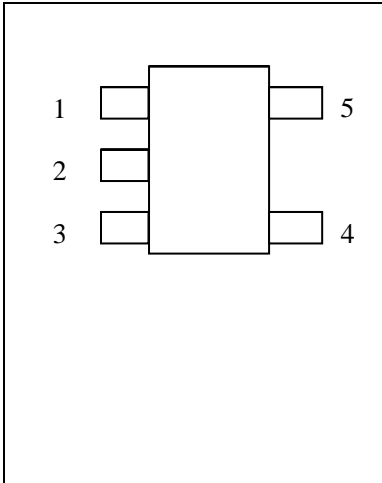
LR256 is a step-up DC/DC converter specifically designed to drive white LED with a constant current. It can drive two, three, or four LEDs. It switches at 1.2MHz and use tiny external components. The output capacitor can be as small as 0.22uF, which can save space and cost versus alternative solutions. Feedback voltage is as low as 95mV.

- Fast 1.2MHz Switching Frequency
- Requires Only 0.22uF Output Capacitor
- Inherently Matched LED Current
- High Efficiency: 85% Typical
- 2.5V to 10V V_{IN} ranges
- Drives Up to Four series LEDs with a Li-Ion cell
- Uses Very Tiny Inductors
- SOT-25 Package

Absolute maximum ratings

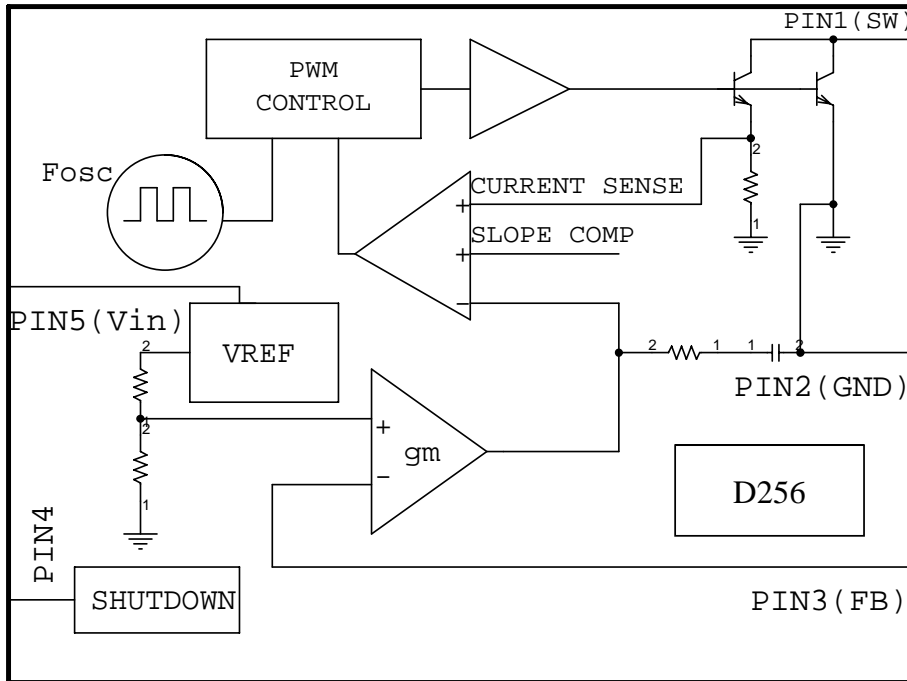
Parameter	symbol	value	unit
Supply Voltage	V_{IN}	10	V
Feedback Voltage	FB	10	V
Switch Voltage	SW	20	V
CE Voltage	V_{CE}	10	V
Operating temperature range	T_{opr}	-25 to +70	°C
Storage temperature range	R_{stg}	-55 to +150	°C
Junction temperature	T_j	125	°C

Pin name

	Description	Symbol	Description	Symbol
	1: Switch	SW	5: Supply Voltage	V_{IN}
	2: GND	GND		
	3: Feedback	FB	4: Start-Up	CE

LR256

Block Diagram



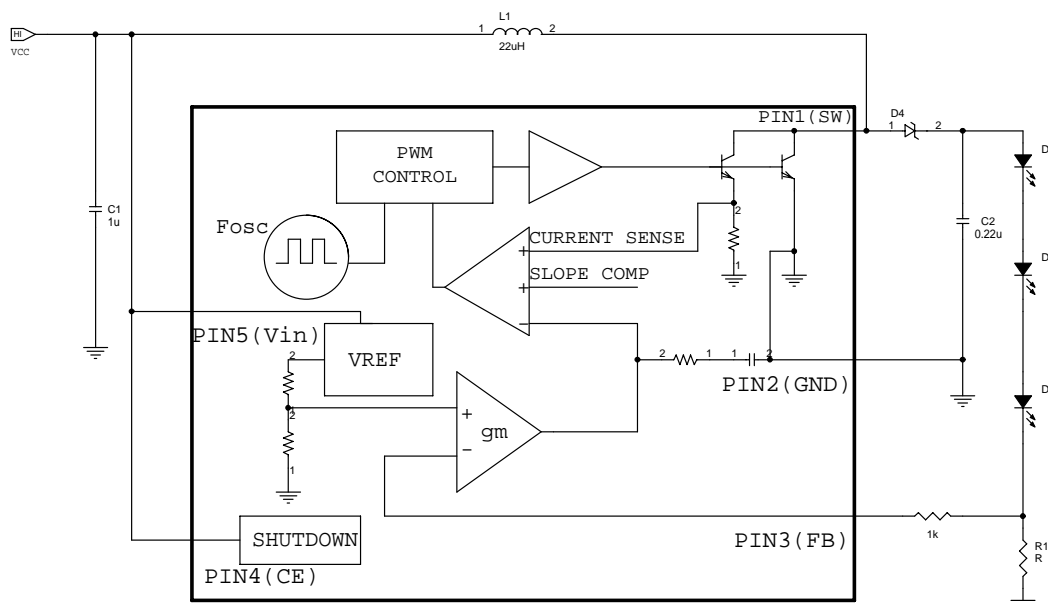
LR256

Electrical Characteristics

$T_{amb} = 25^{\circ}C$, $V_{IN}=3V$, $V_{CE}=3V$, unless otherwise specified.

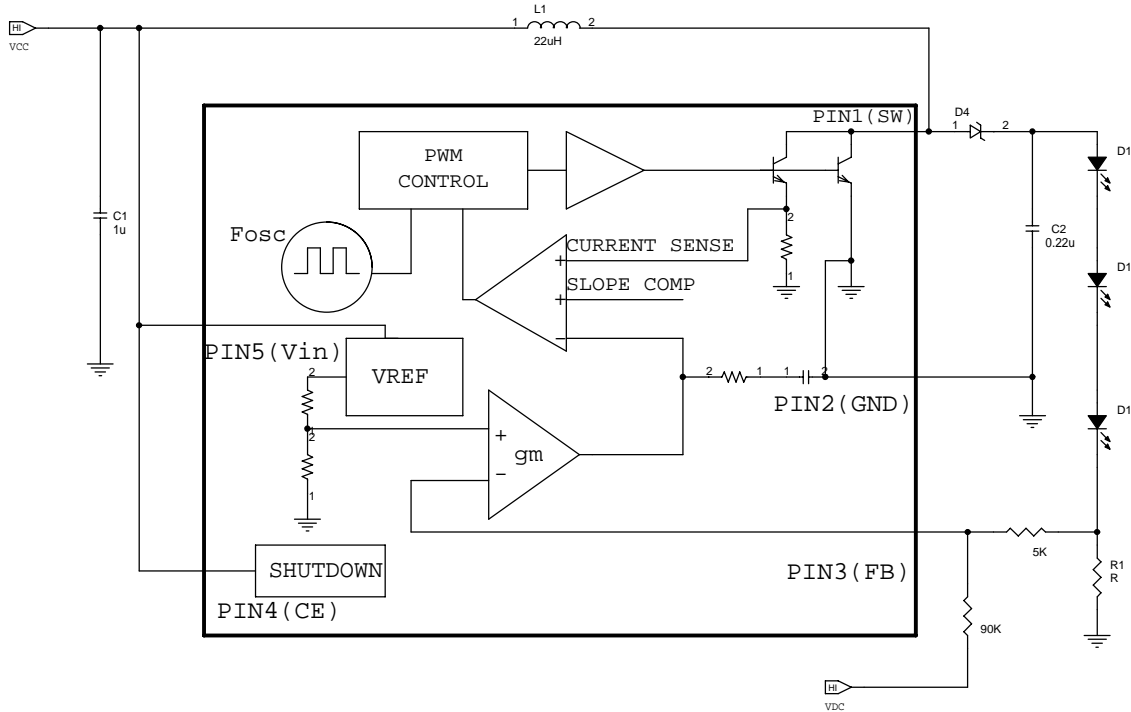
Parameter	Test Conditions / Pins	Min	Type	Max	Unit
Minimum Operating Voltage		2.5			V
Maximum Operating Voltage				10	V
Feedback Voltage	$I_{SW}=100mA$, Duty Cycle=66%	86	95	104	mV
FB Pin Bias Current		50	100	200	nA
Supply Current	$V_{CE}=0V$		1.9 0.1	2.5 1	mA uA
Switching Frequency		0.8	1.2	1.6	MHz
Maximum Duty Cycle		85	90		%
Switch Current Limit			320		mA
Switch V_{CESAT}	$I_{SW} = 250mA$		350		mV
Switch Leakage Current	$V_{SW}=5V$		0.01	5	uA
CE Voltage High		1.5			V
CE Voltage Low				0.4	V
CE Pin Bias Current			65		uA

Typical Application

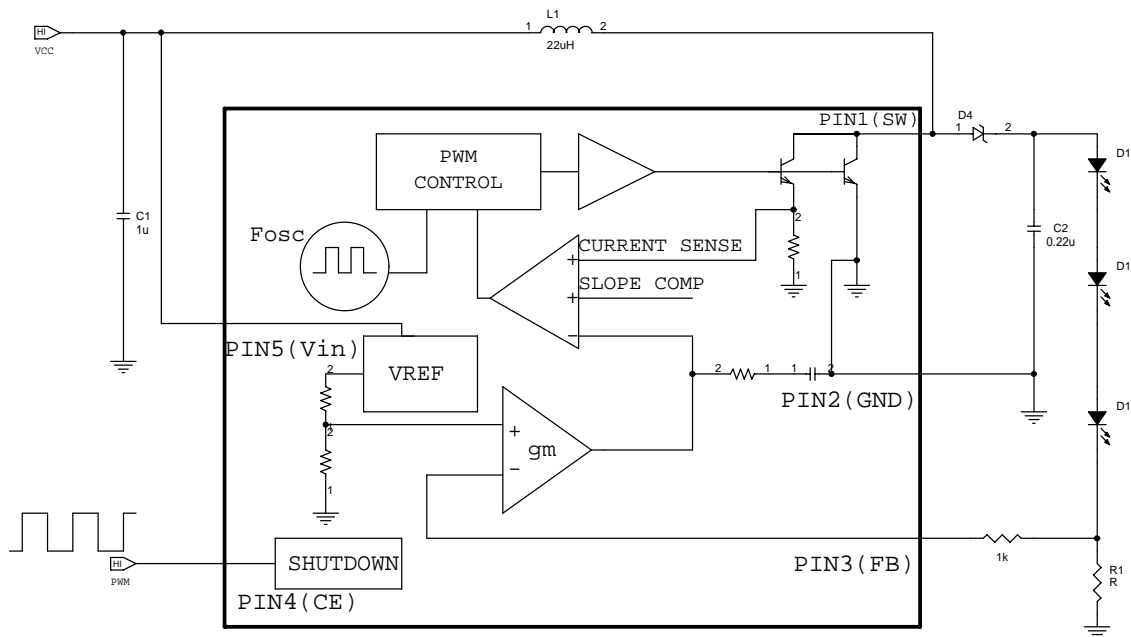


LR256

Analog Voltage Light Control

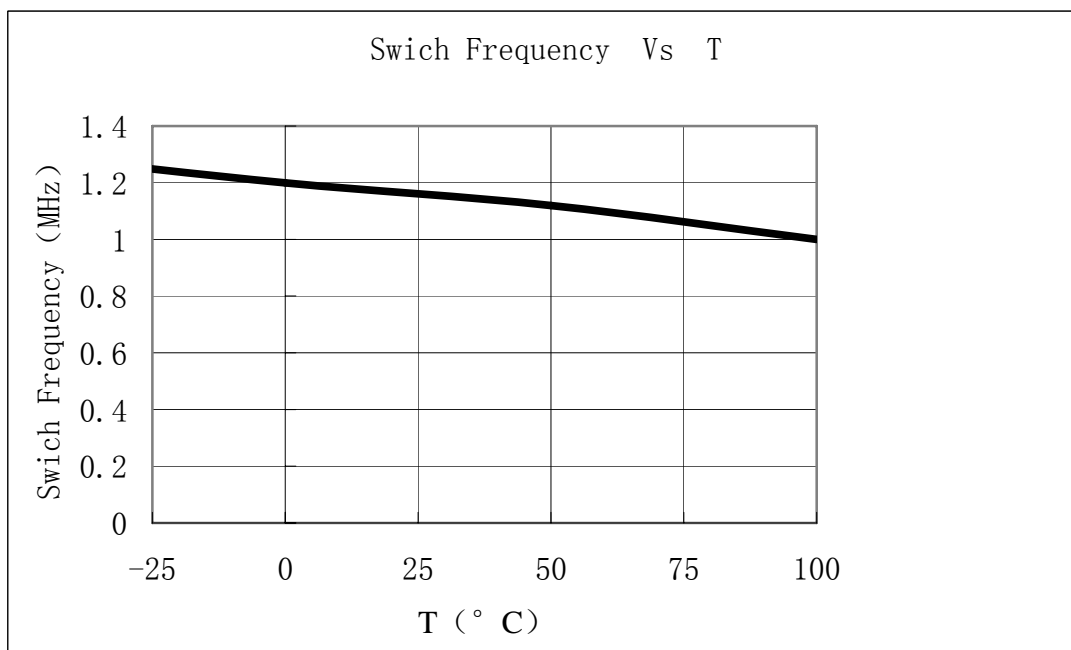
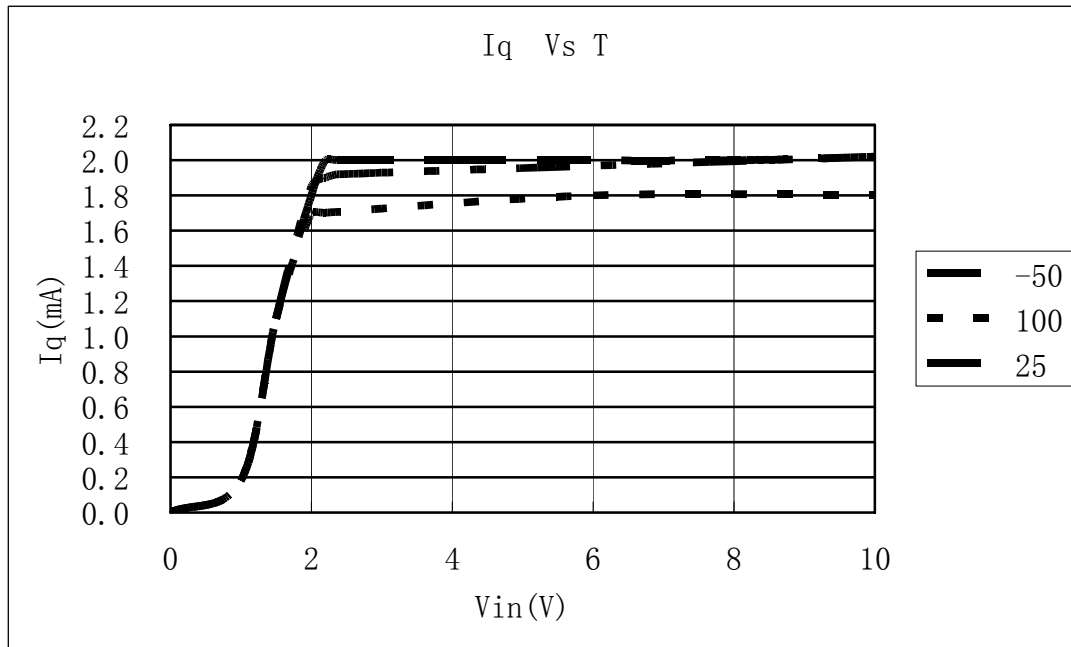


Logic Voltage Light Control

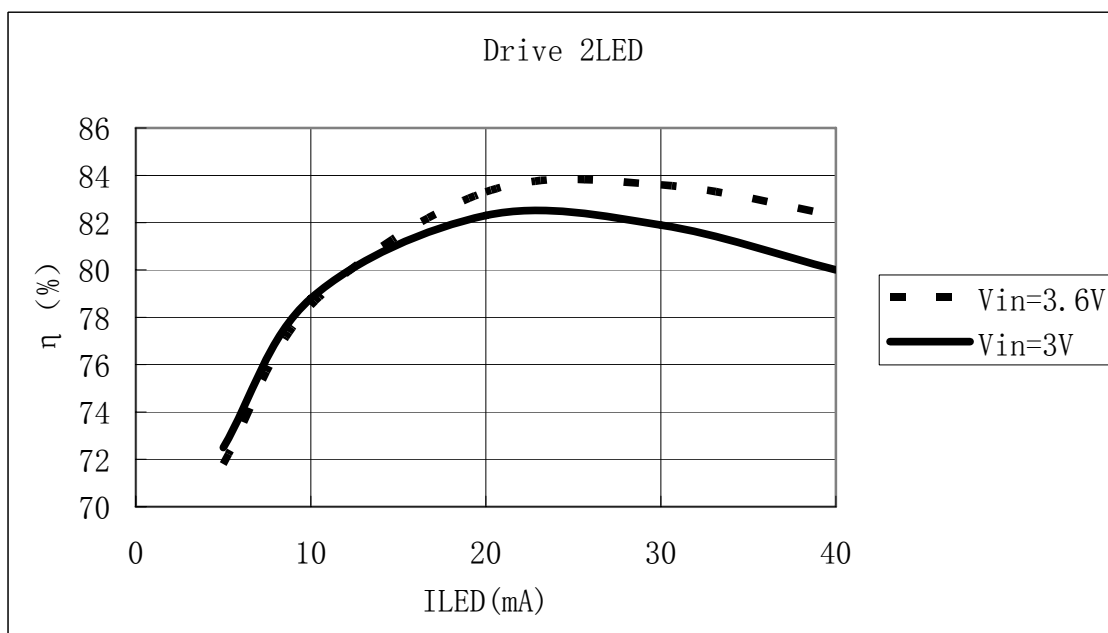
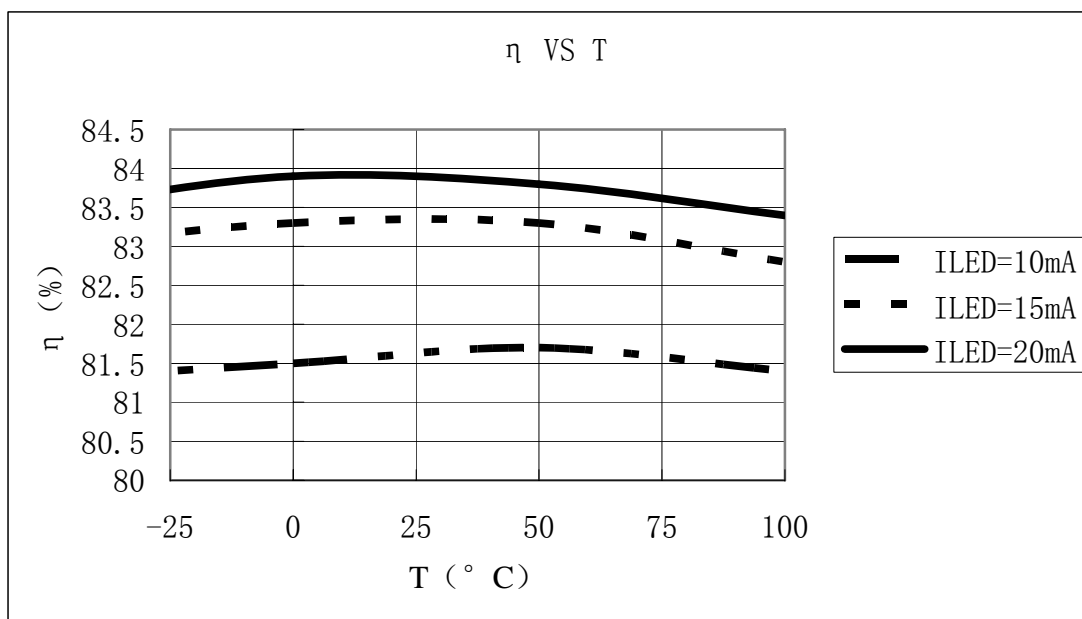


LR256

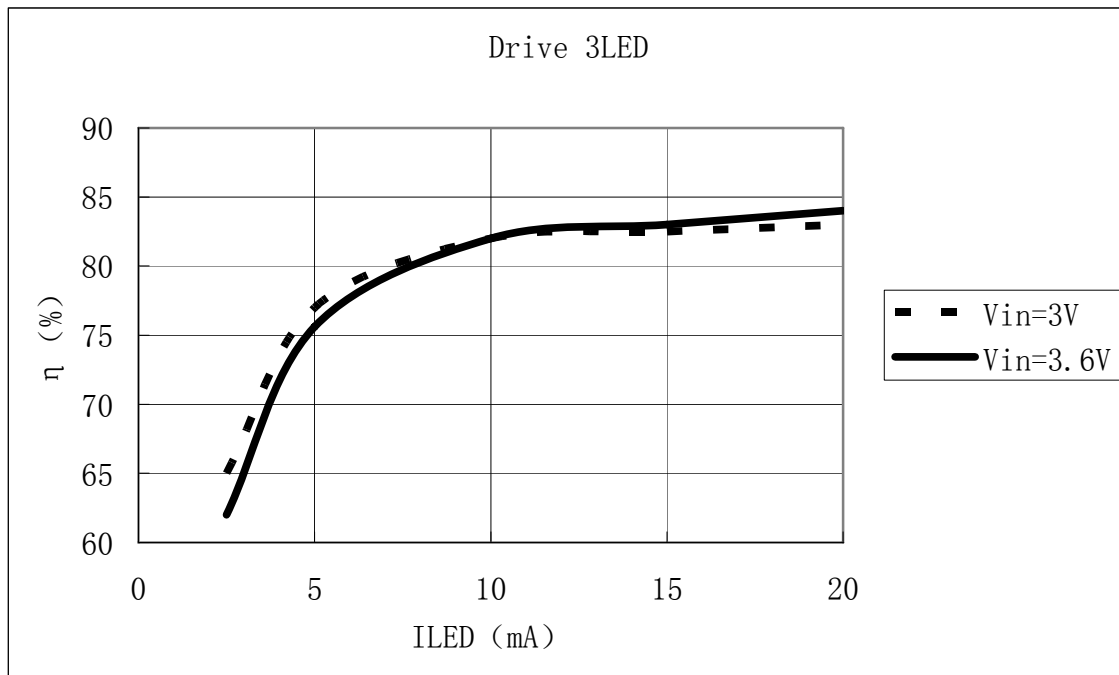
Figure



LR256

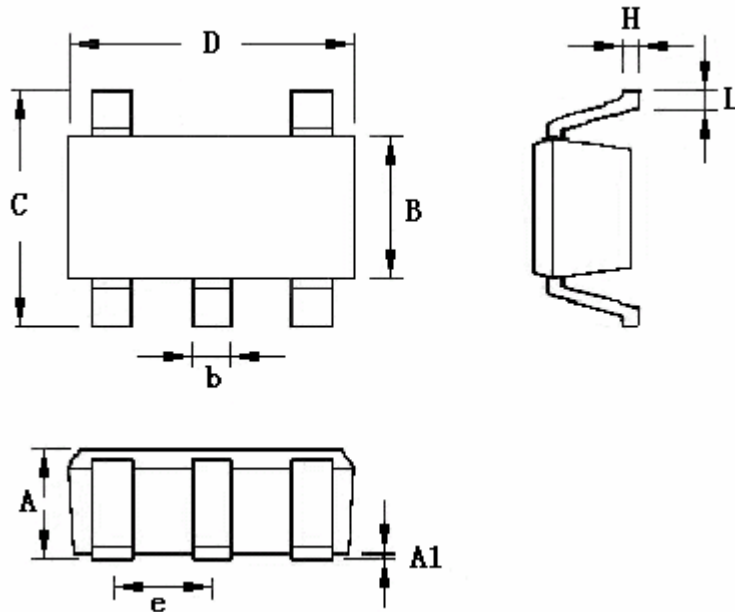


LR256



LR256

SOT25 Diagram



Symbol	Dimension(in mm)		Dimension(in Inch)	
	min	max	min	max
A	0.787	1.450	0.031	0.057
A1		0.152		0.006
B	1.397	1.803	0.055	0.071
b	0.250	0.559	0.010	0.022
C	2.591	2.997	0.102	0.118
D	2.692	3.099	0.106	0.122
E	0.838	1.041	0.033	0.041
H	0.080	0.254	0.003	0.010
L	0.300	0.610	0.012	0.024