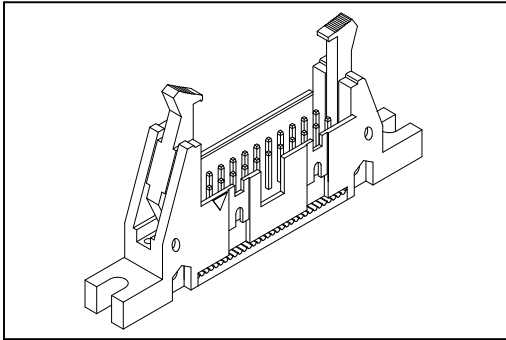


3017 Series

I.D.C. Plug With Ejectors 2.54mm(0.100")



Material:

Housing: Thermoplastic Polyester Glass Filled UL94V-0.

Contacts: Copper Alloy.

Electrical Characteristics:

Current Rating: 1 A.

Dielectric Withstanding Voltage: AC 500V.

Insulator Resistance: 1000MΩ min.

Contact Resistance: 20mΩ max.

Operating Temperature: -55°C~+105°C.

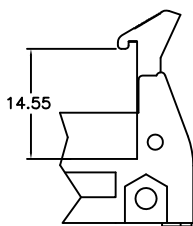
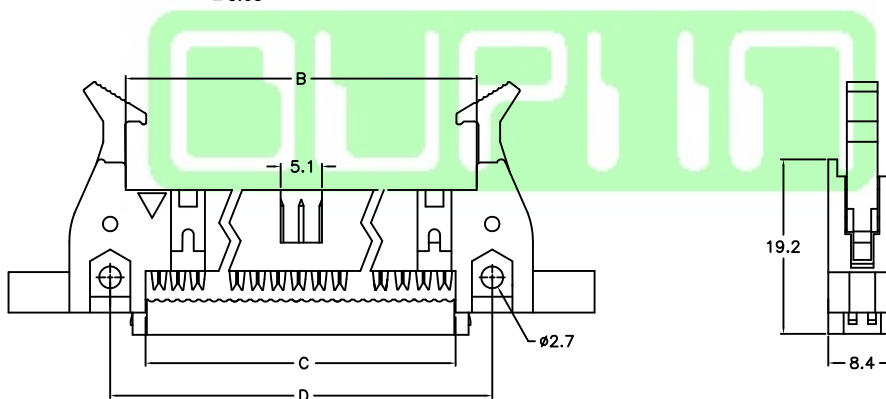
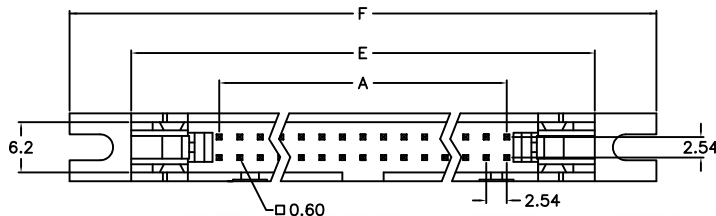
Features:

* Fully shrouded provides ultimate reliability.

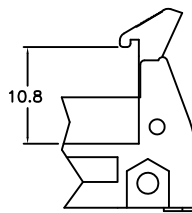
* Choices of long and short ejectors.

* Mounting ears optional.

Mates with: 1001.



Long Lever



Short Lever

Position	Dimension					
	A	B	C	D	E	F
10	10.16	18.00	12.64	21.84	31.92	47.15
14	15.24	23.08	17.72	26.92	37.00	52.23
16	17.78	25.62	20.26	29.46	39.54	54.77
20	22.86	30.70	25.34	34.54	44.62	59.85
24	27.94	35.78	30.42	39.62	49.70	64.93
26	30.48	38.32	32.96	42.16	52.24	67.47
30	35.56	43.40	38.04	47.24	57.32	72.55
34	40.64	48.48	43.12	52.32	62.40	77.63
40	48.26	56.10	50.74	59.94	70.02	85.25
50	60.96	68.80	63.44	72.64	82.72	97.95
60	73.66	81.50	76.14	85.34	95.42	110.65
64	78.74	86.58	81.22	90.42	100.50	115.73

Ordering information

3017- 64 C 00 Y 1 1 A
 Series No. of Pin Count C: Selective Gold Plated 00: G/F Y: Grey B: Black 1: With Mounting Ears 2: Without Mounting Ears 1: With Long Lever 2: With Short Lever A: Tray Package

* Standard color grey and maybe subject to minimum quantity request for color black.

Information including designs, specifications and components may be changed or updated without notice.