

AmZ8107 • AmZ8108

Octal Three-State Bidirectional Bus Transceivers

DISTINCTIVE CHARACTERISTICS

- 8-bit bidirectional data flow reduces system package count
- 3-state inputs/outputs for interfacing with bus-oriented systems
- PNP inputs reduce input loading
- VCC – 1.15V VOH interfaces with TTL, MOS, and CMOS
- 48mA, 300pF bus drive capability
- AmZ8107 has inverting transceivers
- AmZ8108 has non-inverting transceivers
- Separate TRANSMIT and RECEIVE Enables
- 20 pin ceramic and molded DIP package
- Low power – 8mA per bidirectional bit
- Advanced Schottky processing
- Bus port stays in hi-impedance state during power up/down
- 100% product assurance screening to MIL-STD-883 requirements

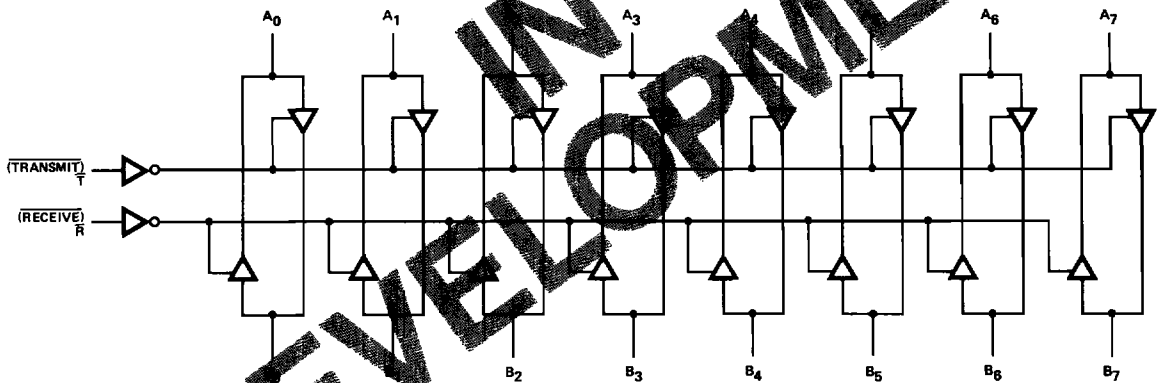
GENERAL DESCRIPTION

The AmZ8107 and AmZ8108 are 8-bit, 3-state Schottky transceivers. They provide bidirectional drive for bus-oriented microprocessor and digital communications systems. Straight through bidirectional transceivers are featured, with 24mA drive capability on the A ports and 48mA bus drive capability on the B ports. PNP inputs are incorporated to reduce input loading.

Separate TRANSMIT and RECEIVE Enables are provided for microprocessor system with separated read and write control bus lines.

The output high voltage (VOH) is specified at VCC – 1.15V minimum to allow interfacing with MOS, CMOS, TTL, ROM, RAM, or microprocessors.

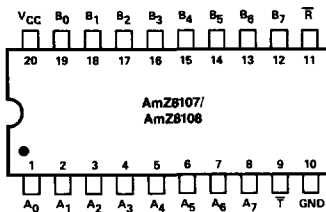
AmZ8108
LOGIC DIAGRAM



AmZ8107 has inverting transceivers

BLI-177

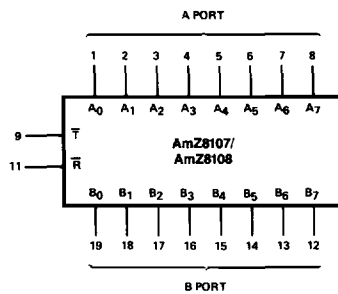
CONNECTION DIAGRAM
Top View



Note: Pin 1 is marked for orientation.
AmZ8107 is inverting from Ai to Bi

BLI-178

LOGIC SYMBOL

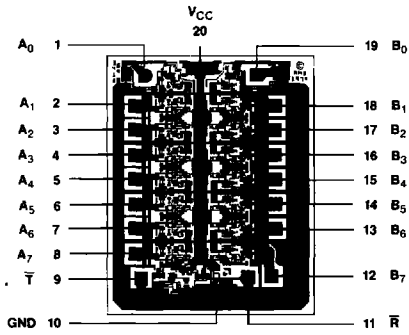


VCC = Pin 20
GND = Pin 10

BLI-179

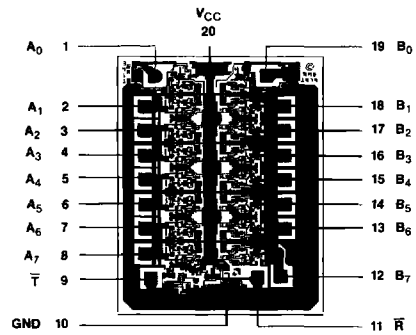
Metallization and Pad Layouts

AmZ8107



DIE SIZE .069" X .089"

AmZ8108



DIE SIZE .069" X .089"