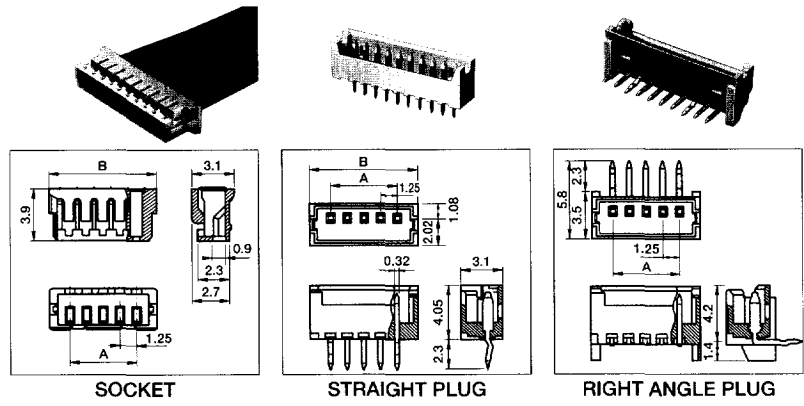


## HP Series (Pitch 1.25mm)



| No. Posi | SOCKET       | STRAIGHT PLUG | RIGHT ANGLE PLUG | A     |
|----------|--------------|---------------|------------------|-------|
| 2        | CHP1102-0101 | CHP1502-0101  | CHP1702-0101     | 1.25  |
| 3        | CHP1103-0101 | CHP1503-0101  | CHP1703-0101     | 2.50  |
| 4        | CHP1104-0101 | CHP1504-0101  | CHP1704-0101     | 3.75  |
| 5        | CHP1105-0101 | CHP1505-0101  | CHP1705-0101     | 5.00  |
| 6        | CHP1106-0101 | CHP1506-0101  | CHP1706-0101     | 6.25  |
| 7        | CHP1107-0101 | CHP1507-0101  | CHP1707-0101     | 7.50  |
| 8        | CHP1108-0101 | CHP1508-0101  | CHP1708-0101     | 8.75  |
| 9        | CHP1109-0101 | CHP1509-0101  | CHP1709-0101     | 10.00 |
| 10       | CHP1110-0101 | CHP1510-0101  | CHP1710-0101     | 11.25 |
| 12       | CHP1112-0101 | CHP1512-0101  | CHP1712-0101     | 13.75 |
| 15       | CHP1115-0101 | CHP1515-0101  | CHP1715-0101     | 17.50 |

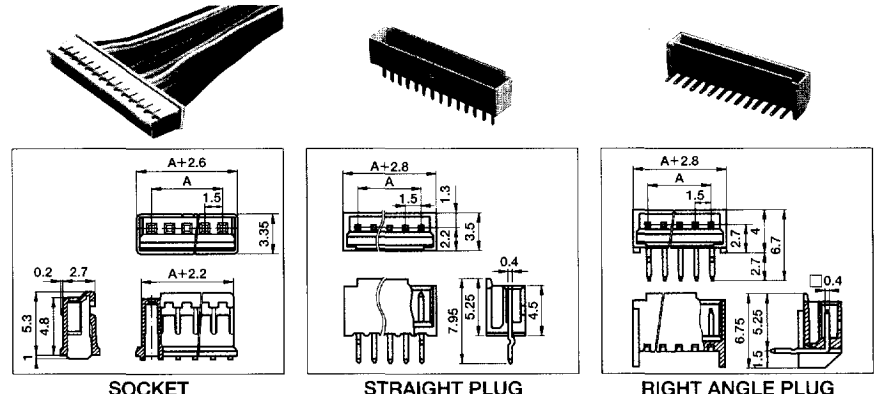
**SOCKET**  
CRIMPING CONNECTOR  
圧着コネクタ (1.25mmピッチ)

**STRAIGHT PLUG**

**RIGHT ANGLE PLUG**

TERMINAL CTA 1126-0501  
● Applicable Wire Size:AWG 26~32

## EP Series (Pitch 1.5mm)



| No. Posi | SOCKET       | STRAIGHT PLUG | RIGHT ANGLE PLUG | A    |
|----------|--------------|---------------|------------------|------|
| 2        | CGP1202-0101 | CGP1602-0101  | CGP1702-0101     | 1.5  |
| 3        | CGP1203-0101 | CGP1603-0101  | CGP1703-0101     | 3.0  |
| 4        | CGP1204-0101 | CGP1604-0101  | CGP1704-0101     | 4.5  |
| 5        | CGP1205-0101 | CGP1605-0101  | CGP1705-0101     | 6.0  |
| 6        | CGP1206-0101 | CGP1606-0101  | CGP1706-0101     | 7.5  |
| 7        | CGP1207-0101 | CGP1607-0101  | CGP1707-0101     | 9.0  |
| 8        | CGP1208-0101 | CGP1608-0101  | CGP1708-0101     | 10.5 |
| 9        | CGP1209-0101 | CGP1609-0101  | CGP1709-0101     | 12.0 |
| 10       | CGP1210-0101 | CGP1610-0101  | CGP1710-0101     | 13.5 |
| 11       | CGP1211-0101 | CGP1611-0101  | CGP1711-0101     | 15.0 |
| 12       | CGP1212-0101 | CGP1612-0101  | CGP1712-0101     | 16.5 |
| 13       | CGP1213-0101 | CGP1613-0101  | CGP1713-0101     | 18.0 |
| 14       | CGP1214-0101 | CGP1614-0101  | CGP1714-0101     | 19.5 |
| 15       | CGP1215-0101 | CGP1615-0101  | CGP1715-0101     | 21.0 |

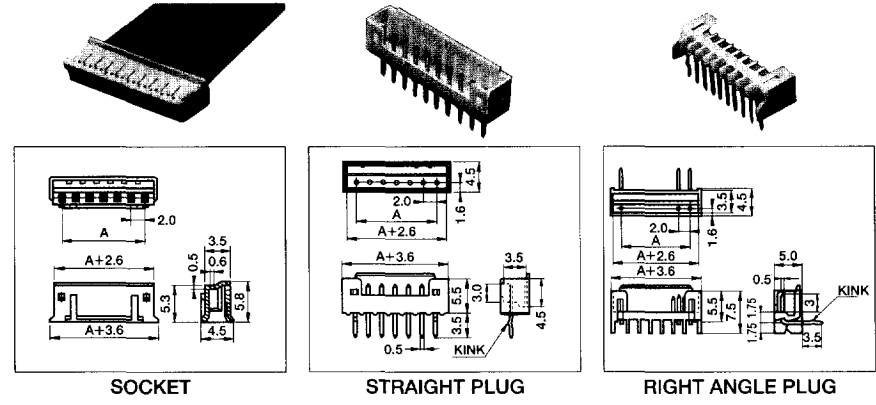
**SOCKET**  
CRIMPING CONNECTOR  
圧着コネクタ (1.5mmピッチ)

**STRAIGHT PLUG**

**RIGHT ANGLE PLUG**

TERMINAL CTA 1126-0101  
● Applicable Wire Size:AWG 26~32  
TERMINAL CTA 1126-1001  
● Applicable Wire Size:AWG 24~26

## UP Series (Pitch 2.0mm)



| No. Posi | SOCKET  | STRAIGHT PLUG | RIGHT ANGLE PLUG | A  |
|----------|---------|---------------|------------------|----|
| 2        | W-A2402 | W-P7502       | W-P7902          | 2  |
| 3        | W-A2403 | W-P7503       | W-P7903          | 4  |
| 4        | W-A2404 | W-P7504       | W-P7904          | 6  |
| 5        | W-A2405 | W-P7505       | W-P7905          | 8  |
| 6        | W-A2406 | W-P7506       | W-P7906          | 10 |
| 7        | W-A2407 | W-P7507       | W-P7907          | 12 |
| 8        | W-A2408 | W-P7508       | W-P7908          | 14 |
| 9        | W-A2409 | W-P7509       | W-P7909          | 16 |
| 10       | W-A2410 | W-P7510       | W-P7910          | 18 |
| 11       | W-A2411 | W-P7511       | W-P7911          | 20 |
| 12       | W-A2412 | W-P7512       | W-P7912          | 22 |
| 13       | W-A2413 | W-P7513       | W-P7913          | 24 |
| 14       | W-A2414 | W-P7514       | W-P7914          | 26 |
| 15       | W-A2415 | W-P7515       | W-P7915          | 28 |

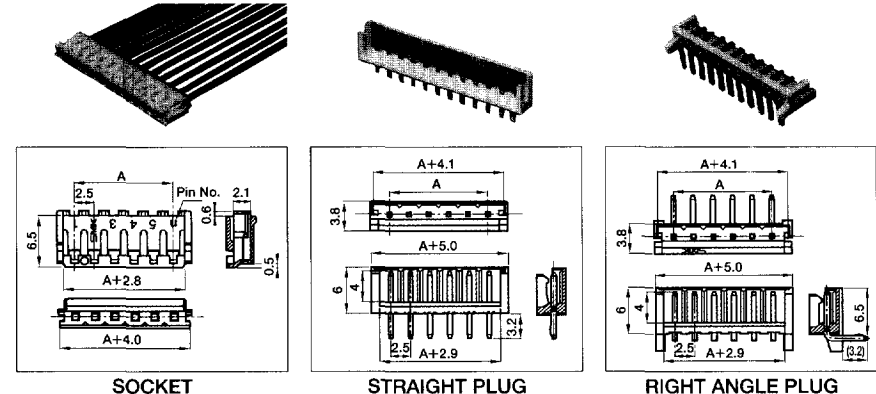
**SOCKET**  
CRIMPING CONNECTOR  
圧着コネクタ (2.0mmピッチ)

**STRAIGHT PLUG**

**RIGHT ANGLE PLUG**

TERMINAL W-T 0843-11#01  
● Applicable Wire Size:AWG 22~30

## PI Series (Pitch 2.5mm)



| No. Posi | SOCKET       | STRAIGHT PLUG | RIGHT ANGLE PLUG | A    |
|----------|--------------|---------------|------------------|------|
| 2        | CPI1102-0101 | CPI1502-0101  | CPI1702-0101     | 2.5  |
| 3        | CPI1103-0101 | CPI1503-0101  | CPI1703-0101     | 5.0  |
| 4        | CPI1104-0101 | CPI1504-0101  | CPI1704-0101     | 7.5  |
| 5        | CPI1105-0101 | CPI1505-0101  | CPI1705-0101     | 10.0 |
| 6        | CPI1106-0101 | CPI1506-0101  | CPI1706-0101     | 12.5 |
| 7        | CPI1107-0101 | CPI1507-0101  | CPI1707-0101     | 15.0 |
| 8        | CPI1108-0101 | CPI1508-0101  | CPI1708-0101     | 17.5 |
| 9        | CPI1109-0101 | CPI1509-0101  | CPI1709-0101     | 20.0 |
| 10       | CPI1110-0101 | CPI1510-0101  | CPI1710-0101     | 22.5 |
| 11       | CPI1111-0101 | CPI1511-0101  | CPI1711-0101     | 25.0 |
| 12       | CPI1112-0101 | CPI1512-0101  | CPI1712-0101     | 27.5 |
| 13       | CPI1113-0101 | CPI1513-0101  | CPI1713-0101     | 30.0 |
| 14       | CPI1114-0101 | CPI1514-0101  | CPI1714-0101     | 32.5 |
| 15       | CPI1115-0101 | CPI1515-0101  | CPI1715-0101     | 35.0 |

**SOCKET**  
CRIMPING CONNECTOR  
圧着コネクタ (2.5mmピッチ)

**STRAIGHT PLUG**

**RIGHT ANGLE PLUG**

TERMINAL CTA1122-0901  
● Applicable Wire Size:AWG 22~28