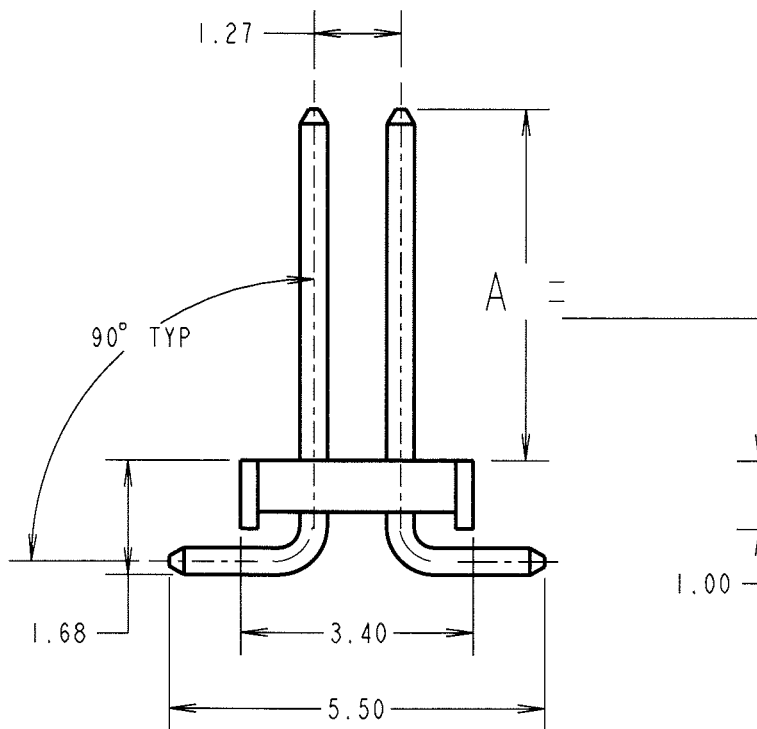


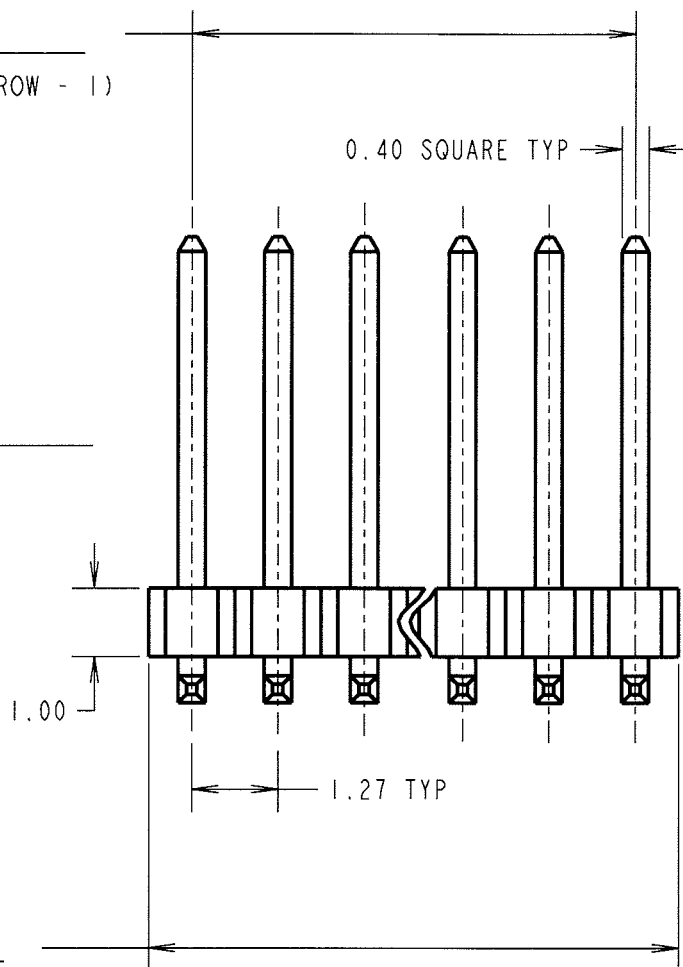
PLEASE NOTE:

B = _____

1.27 x (No. OF CONTACTS PER ROW - 1)



1.27 x No. OF CONTACTS PER ROW



NOTES:

1. MAXIMUM PERMISSIBLE OUT OF SQUARE OF PIN TO MOULDING TO BE 0.10mm IN ANY DIRECTION.
2. CONTACT LEG VARIATION ON COMPLETE ASSEMBLY NOT TO EXCEED 0.10mm.
3. CO-PLANARITY: DEVIATION FROM FLATNESS OF SMT TAILS MUST NOT EXCEED 0.20mm.
4. ANGULAR DISPLACEMENT OF SMT TAILS MUST NOT EXCEED 2° PER SIDE.

THIS SKETCH IS FOR QUOTATION PURPOSES ONLY

SPECIFICATION:

MATERIAL:
MOULDING = HIGH TEMPERATURE NYLON 6T, UL94V-0, BLACK

PINS = BRASS

FINISH:

PINS: SEE BOX BELOW

ELECTRICAL:

CURRENT RATING = 1A MAX

CONTACT RESISTANCE = 30 mΩ MAX

INSULATION RESISTANCE = 5,000 MΩ MIN

DIELECTRIC STRENGTH = 500V AC/DC

ENVIRONMENTAL:

TEMPERATURE RANGE = -55°C TO +105°C

PACKING:

BAG

FINISH

(TICK APPLICABLE):

100% TIN

GOLD

DATE OF SKETCH:

REQUESTED BY:

No. OF CONTACTS PER ROW:

HARWIN

THIS DRAWING AND ANY INFORMATION OR DESCRIPTIVE MATTER SET OUT HEREON ARE CONFIDENTIAL AND COPYRIGHT PROPERTY OF THE HARWIN GROUP AND MUST NOT BE DISCLOSED, LOANED, COPIED OR USED FOR MANUFACTURING, TENDERING OR FOR ANY OTHER PURPOSE WITHOUT THEIR WRITTEN PERMISSION.

TOLERANCES

X. = ±1mm
X.X = ±0.25mm
X.XX = ±0.10mm
X.XXX = ±0.01mm

ANGLES = ±5°
UNLESS STATED

TITLE:

1.27mm PITCH DIL VERTICAL SMT PIN HEADER VARIANT

DRAWING No.:

M50- _____ S _____

HARWIN INC
U.S.A.
TEL: (812) 542 2540
FAX: (812) 542 2541

HARWIN PLC
U.K.
TEL: 023 9231 4545
FAX: 023 9231 4590

HARWIN PTE
SINGAPORE
TEL: 65 6779 4909
FAX: 65 6779 3868