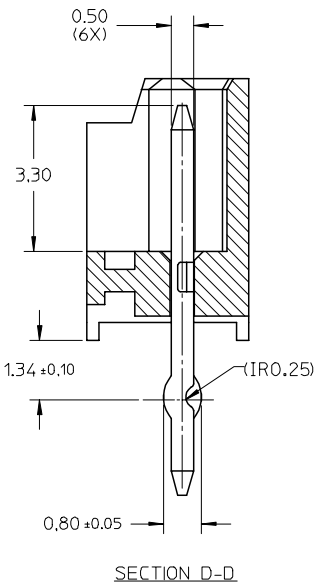
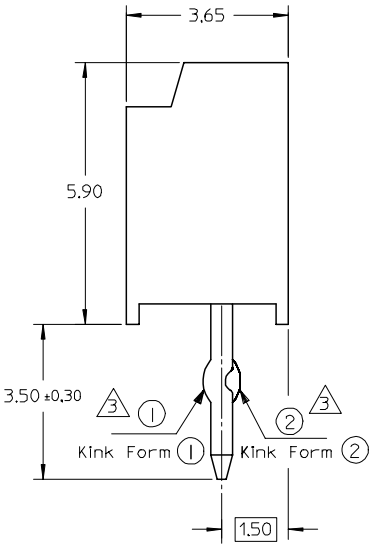
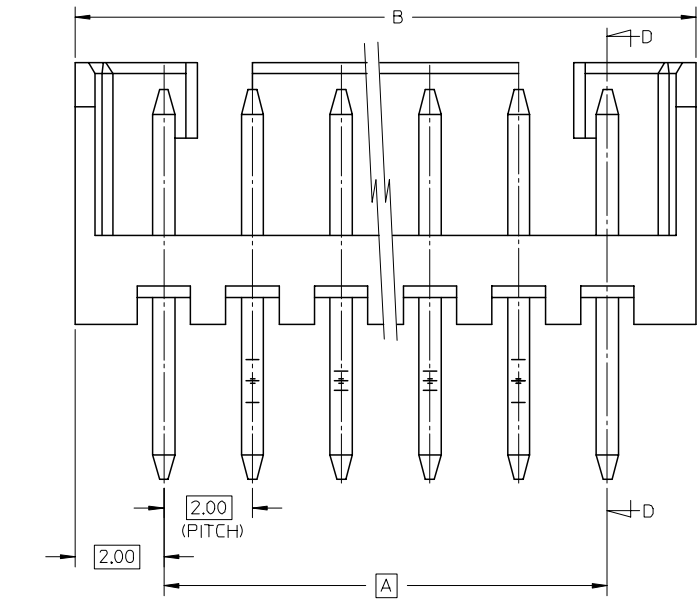


RECOMMENDED PCB LAYOUT THICKNESS : 1.60MM



ASSY P/N (LOOSE PACKED)		CKT SIZE	DIMENSIONS	
TIN/ LEAD	TIN		A	B
87553-0210	87553-0211	2	2	6
↑ -0310	↑ -0311	3	4	8
↑ -0410	↑ -0411	4	6	10
↑ -0510	↑ -0511	5	8	12
↑ -0610	↑ -0611	6	10	14
↑ -0710	↑ -0711	7	12	16
↑ -0810	↑ -0811	8	14	18
↑ -0910	↑ -0911	9	16	20
↑ -1010	↑ -1011	10	18	22
↑ -1110	↑ -1111	11	20	24
↑ -1210	↑ -1211	12	22	26
↑ -1310	↑ -1311	13	24	28
↑ -1410	↑ -1411	14	26	30
↑ -1510	↑ -1511	15	28	32

- NOTES :
- MATERIAL :
WAFER : NYLON (PA46), 30% GF, UL94V-0
COLOUR : NATURAL (WHITE)
PIN : BRASS
 - PLATING :
14μm MIN. TIN/LEAD OR TIN OVER 0.54μm MIN. NICKEL UNDERPLATE OVERALL
 - KINKED TO BE APPLIED AS PER TABLE BELOW
2 CKT HAS NO KINKED SOLDER TAILS

NO OF CKT	CKT NO								
		1	2	3	4	5	N-2	N-1	N
6 & above	—	①	②	—	—	—	②	①	—
5	①	②	—	②	①	—	—	—	—
4	①	②	②	①	—	—	—	—	—
3	①	②	①	—	—	—	—	—	—

- MATING PART : 51065-***00
- PART TO BE PACKED IN TUBE, AS SHOWN IN SHT 2.

EC NO: S2004-0872 2004/07/19 DRAWN:ATSEE 2004/07/19 CHKD:KCLING 2004/07/19 APPR:SKTOH 2004/07/19	QUALITY SYMBOLS ▽=0 ▽=0	GENERAL TOLERANCES (UNLESS SPECIFIED)		DIMENSION STYLE MM ONLY		SCALE NTS	DESIGN UNITS METRIC	THIRD ANGLE PROJECTION		
			mm	INCH	DRAWN BY KSEE	DATE 1998/05/25	TITLE SALES DRAWING 2MM W-T-B FRIENDLY LOCK HEADER (STRAIGHT) MOLEX INCORPORATED			
		4 PLACES	± ---	± ---	CHECKED BY SKTOH	DATE 1998/06/05				
		3 PLACES	± ---	± ---	APPROVED BY GMS	DATE 1998/06/05				
2 PLACES	± 0.2	± ---	MATERIAL NO. SEE TABLE		DOCUMENT NO. SD-87553-001		SHEET NO. 1 OF 2			
1 PLACE	± 0.25	± ---	DRAFT WHERE APPLICABLE MUST REMAIN WITHIN DIMENSIONS		THIS DRAWING CONTAINS INFORMATION THAT IS PROPRIETARY TO MOLEX INCORPORATED AND SHOULD NOT BE USED WITHOUT WRITTEN PERMISSION					
ANGULAR ± 3 °										

10 9 8 7 6 5 4 3 2 1

F

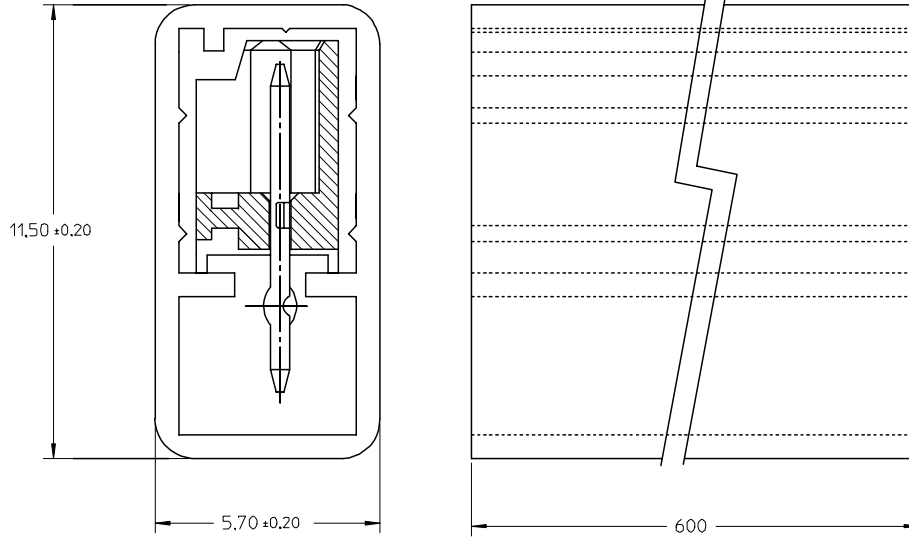
E

D

C

B

A



ORIENTATION OF PART IN TUBE

ASSY P/N (TUBE PACKED)		CKT SIZE	DIMENSIONS	
TIN/ LEAD	TIN		A	B
87553-0290	87553-0291	2	2	6
↑ -0390	↑ -0391	3	4	8
-0490	-0491	4	6	10
-0590	-0591	5	8	12
-0690	-0691	6	10	14
-0790	-0791	7	12	16
-0890	-0891	8	14	18
-0910	-0911	9	16	20
-1090	-1091	10	18	22
-1190	-1191	11	20	24
-1290	-1291	12	22	26
-1390	-1391	13	24	28
↓ -1490	↓ -1491	14	26	30
-1590	-1591	15	28	32

F

E

D

C

B

A

EC NO: S2004-0872 DRAWN:ATSEE 2004/07/19 CHKD:KCLING 2004/07/19 APPR:SKTOH 2004/07/19	QUALITY SYMBOLS ▽=0 ▽=0	GENERAL TOLERANCES (UNLESS SPECIFIED)		DIMENSION STYLE MM ONLY		SCALE NTS	DESIGN UNITS METRIC	THIRD ANGLE PROJECTION		
		4 PLACES	± ---	± ---	DRAWN BY KSEE	DATE 1998/05/25	SALES DRAWING 2MM W-T-B FRIENDLY LOCK HEADER (STRAIGHT)			
		3 PLACES	± ---	± ---	CHECKED BY SKTOH	DATE 1998/06/05				
		2 PLACES	± 0.2	± ---	APPROVED BY GMS	DATE 1998/06/05	MOLEX INCORPORATED			
1 PLACE	± 0.25	± ---	DRAFT WHERE APPLICABLE MUST REMAIN WITHIN DIMENSIONS		SEE TABLE		MATERIAL NO. SEE TABLE	DOCUMENT NO. SD-87553-001	SHEET NO. 2 OF 2	
A4	REV	THIS DRAWING CONTAINS INFORMATION THAT IS PROPRIETARY TO MOLEX INCORPORATED AND SHOULD NOT BE USED WITHOUT WRITTEN PERMISSION								

9 8 7 6 5 4 3 2 1