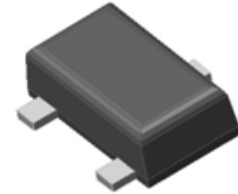


Small Signal Fast Switching Diode

General Description

Dual general-purpose switching diodes, fabricated in planar technology, and packaged in small SOT-523F surface mounted device (SMD) packages.



SOT-523F



Features and Benefits

- Silicon epitaxial planar diode
- High switching speed: $t_{rr} \leq 4\text{ns}$
- Low forward drop voltage and low leakage current
- Full lead (Pb)-free and RoHS compliant device
- Available in "Green" device

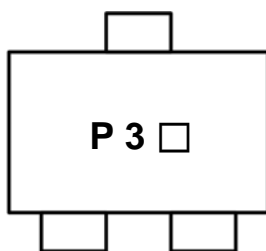
Applications

- Ultra high speed switching application

Ordering Information

| Part Number | Marking Code | Package | Packaging |
|-------------|--------------|----------|-------------|
| SDS2838EF | P3 □ | SOT-523F | Tape & Reel |

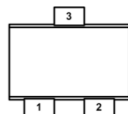
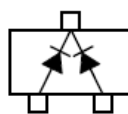
Marking Information



P 3 = Specific Device Code

□ = Year & Week Code Marking

Pinning Information

| Pin | Description | Simplified Outline | Graphic Symbol |
|-----|-------------------|--|---|
| 1 | Cathode (Diode 1) |  |  |
| 2 | Cathode (Diode 2) | | |
| 3 | Common Anode | | |

Absolute Maximum Ratings (T_{amb}=25°C, Unless otherwise specified)

| Characteristic | Symbol | Ratings | Unit |
|---|------------------|---------|------|
| Maximum repetitive peak reverse voltage | V _{RM} | 85 | V |
| Continuous reverse voltage | V _R | 80 | V |
| Maximum average forward rectified current | I _O | 100 | mA |
| Forward current (DC) | I _F | 100 | mA |
| Maximum repetitive peak forward current | I _{FM} | 300 | mA |
| Non-repetitive peak forward surge current(t=10ms) | I _{FSM} | 2 | A |
| Power dissipation ¹⁾ | P _D | 150 | mW |

¹⁾ Device mounted on FR-4 board with recommended pad layout.

Thermal Characteristics (T_{amb}=25°C, Unless otherwise specified)

| Characteristic | Symbol | Ratings | Unit |
|---|----------------------|-----------|------|
| Thermal resistance, junction to ambient ¹⁾ | R _{th(j-a)} | 830 | °C/W |
| Operating junction temperature | T _j | 150 | °C |
| Storage temperature range | T _{stg} | -55 ~ 150 | °C |

¹⁾ Device mounted on FR-4 board with recommended pad layout.

Electrical Characteristics (T_{amb}=25°C, Unless otherwise specified)

| Characteristic | Symbol | Test Condition | Min. | Typ. | Max. | Unit |
|---------------------------------------|-------------------|-------------------------------|------|------|------|------|
| Forward voltage ²⁾ | V _{F(1)} | I _F =1mA | - | 0.6 | - | V |
| | V _{F(2)} | I _F =10mA | - | 0.7 | - | V |
| | V _{F(3)} | I _F =100mA | - | 0.9 | 1.2 | V |
| Reverse leakage current ³⁾ | I _R | V _R =80V | - | - | 0.5 | uA |
| Total capacitance | C _T | V _R =0V, f=1MHz | - | 2.2 | 4.0 | pF |
| Reverse recovery time | t _{rr} | I _F =10mA (Fig. 5) | - | 1.6 | 4.0 | ns |

²⁾ Pulse test: t_p≤380μs, Duty cycle≤2%

³⁾ Pulse test: t_p≤5ms, Duty cycle≤2%

Rating and Characteristic Curves

Fig. 1) Typical Forward Characteristics

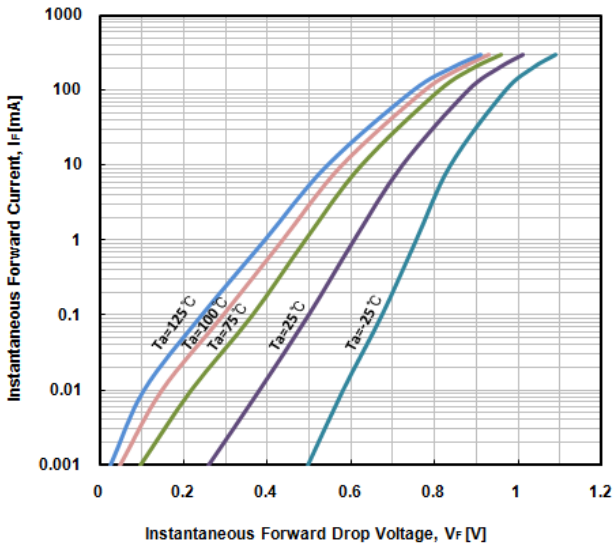


Fig. 2) Typical Reverse Characteristics

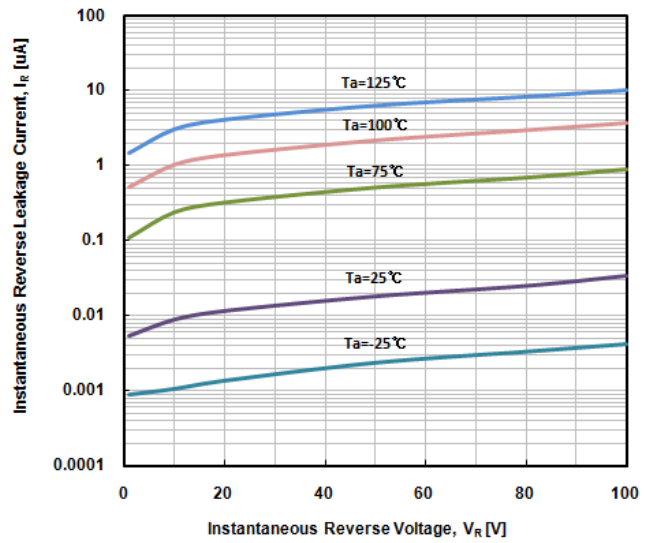


Fig. 3) Typical Total Capacitance Characteristics

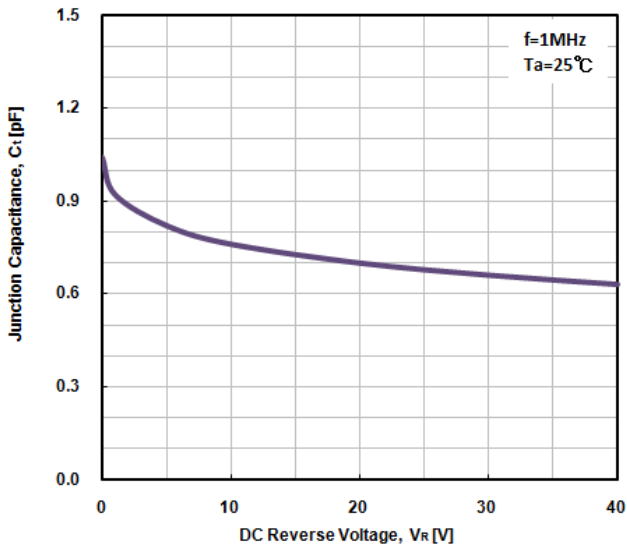


Fig. 4) Reverse Recovery Time vs. Forward Current

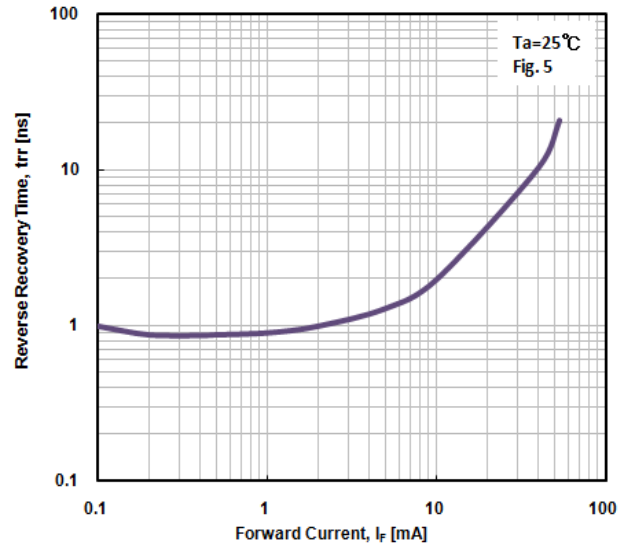
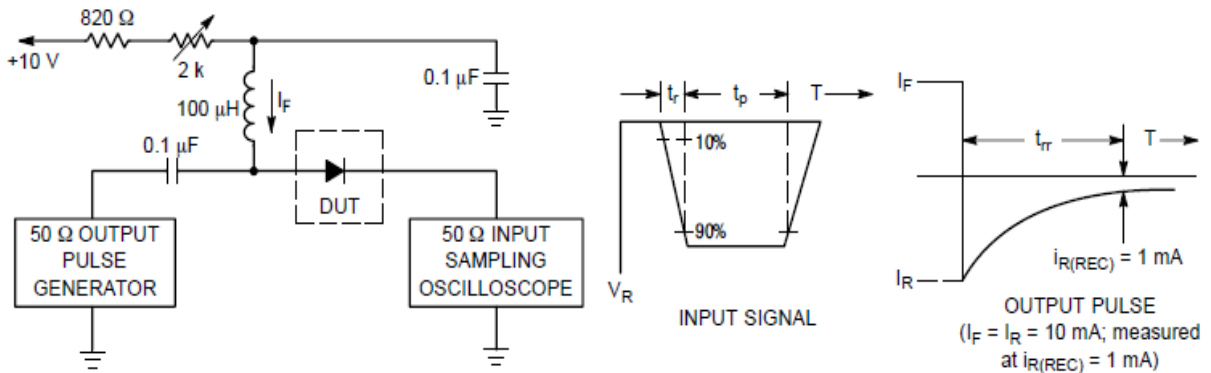
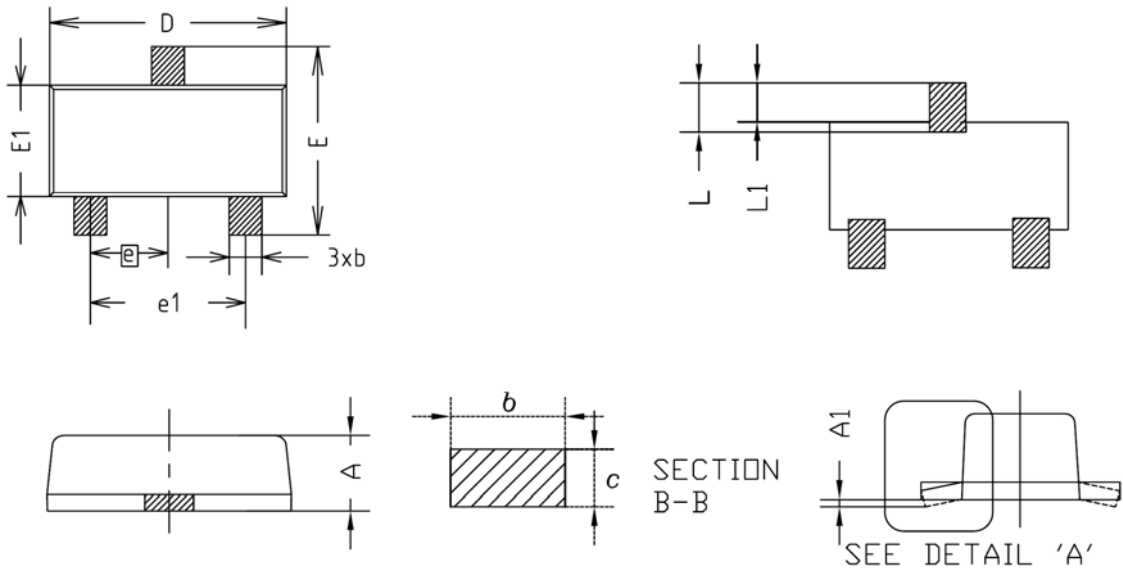


Fig. 5) Reverse recovery time equivalent test circuit

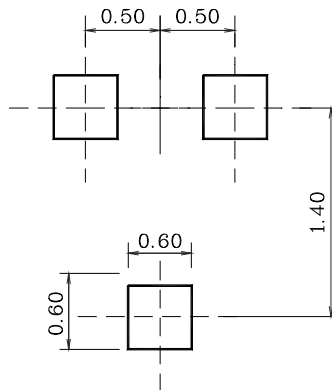


Package Outline Dimensions



| SYMBOL | MILLIMETERS | | | NOTE |
|--------|-------------|---------|---------|------|
| | MINIMUM | NOMINAL | MAXIMUM | |
| A | 0.63 | 0.68 | 0.73 | |
| A1 | 0.00 | - | 0.10 | |
| A2 | - | - | - | |
| b | 0.25 | 0.30 | 0.35 | |
| c | 0.04 | 0.11 | 0.20 | |
| D | 1.50 | 1.60 | 1.70 | |
| E | 1.50 | 1.60 | 1.70 | |
| E1 | 0.78 | 0.88 | 0.98 | |
| e | 0.50BSC | | | |
| e1 | 0.90 | - | 1.10 | |
| L | 0.34 | 0.44 | 0.54 | |
| L1 | 0.28 | 0.34 | 0.43 | |

※ Recommend PCB solder land (Unit : mm)



The AUK Corp. products are intended for the use as components in general electronic equipment (Office and communication equipment, measuring equipment, home appliance, etc.).

Please make sure that you consult with us before you use these AUK Corp. products in equipments which require high quality and / or reliability, and in equipments which could have major impact to the welfare of human life(atomic energy control, airplane, spaceship, transportation, combustion control, all types of safety device, etc.). AUK Corp. cannot accept liability to any damage which may occur in case these AUK Corp. products were used in the mentioned equipments without prior consultation with AUK Corp..

Specifications mentioned in this publication are subject to change without notice.