

National Semiconductor is now part of  
Texas Instruments.

Search <http://www.ti.com/> for the latest technical  
information and details on our current products and services.

## LMC662 CMOS Dual Operational Amplifier

### General Description

The LMC662 CMOS Dual operational amplifier is ideal for operation from a single supply. It operates from +5V to +15V and features rail-to-rail output swing in addition to an input common-mode range that includes ground. Performance limitations that have plagued CMOS amplifiers in the past are not a problem with this design. Input  $V_{OS}$ , drift, and broadband noise as well as voltage gain into realistic loads (2 k $\Omega$  and 600 $\Omega$ ) are all equal to or better than widely accepted bipolar equivalents.

This chip is built with National's advanced Double-Poly Silicon-Gate CMOS process.

See the LMC660 datasheet for a Quad CMOS operational amplifier with these same features.

### Features

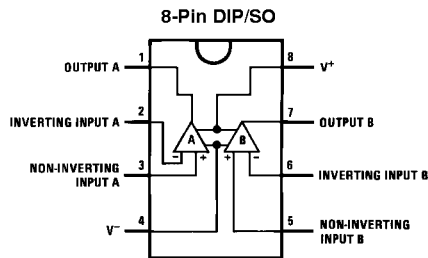
- Rail-to-rail output swing
- Specified for 2 k $\Omega$  and 600 $\Omega$  loads
- High voltage gain: 126 dB
- Low input offset voltage: 3 mV
- Low offset voltage drift: 1.3  $\mu$ V/ $^{\circ}$ C

- Ultra low input bias current: 2 fA
- Input common-mode range includes  $V^-$
- Operating range from +5V to +15V supply
- $I_{SS} = 400 \mu$ A/amplifier; independent of  $V^+$
- Low distortion: 0.01% at 10 kHz
- Slew rate: 1.1 V/ $\mu$ s
- Available in extended temperature range ( $-40^{\circ}$ C to  $+125^{\circ}$ C); ideal for automotive applications
- Available to a Standard Military Drawing specification

### Applications

- High-impedance buffer or preamplifier
- Precision current-to-voltage converter
- Long-term integrator
- Sample-and-hold circuit
- Peak detector
- Medical instrumentation
- Industrial controls
- Automotive sensors

### Connection Diagram



### Ordering Information

Package	Temperature Range				NSC Drawing	Transport Media
	Military	Extended	Industrial	Commercial		
8-Pin Ceramic DIP	LMC662AMJ/883				J08A	Rail
8-Pin Small Outline		LMC662EM	LMC662AIM	LMC662CM	M08A	Rail, Tape and Reel
8-Pin Molded DIP		LMC662EN	LMC662AIN	LMC662CN	N08E	Rail
8-Pin Side Brazed Ceramic DIP	LMC662AMD				D08C	Rail

## Absolute Maximum Ratings (Note 3)

If Military/Aerospace specified devices are required, please contact the National Semiconductor Sales Office/Distributors for availability and specifications.

Differential Input Voltage	±Supply Voltage
Supply Voltage ( $V^+ - V^-$ )	16V
Output Short Circuit to $V^+$	(Note 12)
Output Short Circuit to $V^-$	(Note 1)
Lead Temperature	
(Soldering, 10 sec.)	260°C
Storage Temp. Range	-65°C to +150°C
Voltage at Input/Output Pins	( $V^+$ ) +0.3V, ( $V^-$ ) -0.3V
Current at Output Pin	±18 mA
Current at Input Pin	±5 mA
Current at Power Supply Pin	35 mA
Power Dissipation	(Note 2)
Junction Temperature	150°C

ESD Tolerance (Note 8)

1000V

## Operating Ratings (Note 3)

Temperature Range	
LMC662AMJ/883,	-55°C ≤ $T_J$ ≤ +125°C
LMC662AMD	-40°C ≤ $T_J$ ≤ +85°C
LMC662AI	0°C ≤ $T_J$ ≤ +70°C
LMC662C	
LMC662E	-40°C ≤ $T_J$ ≤ +125°C
Supply Voltage Range	4.75V to 15.5V
Power Dissipation	(Note 10)
Thermal Resistance ( $\theta_{JA}$ ) (Note 11)	
8-Pin Ceramic DIP	100°C/W
8-Pin Molded DIP	101°C/W
8-Pin SO	165°C/W
8-Pin Side Brazed Ceramic DIP	100°C/W

## DC Electrical Characteristics

Unless otherwise specified, all limits guaranteed for  $T_J = 25^\circ\text{C}$ . **Boldface** limits apply at the temperature extremes.  $V^+ = 5\text{V}$ ,  $V^- = 0\text{V}$ ,  $V_{CM} = 1.5\text{V}$ ,  $V_O = 2.5\text{V}$  and  $R_L > 1\text{M}$  unless otherwise specified.

Parameter	Conditions	Typ (Note 4)	LMC662AMJ/883	LMC662AI	LMC662C	LMC662E	Units
			LMC662AMD	Limit	Limit	Limit	
			Limit (Notes 4, 9)	Limit (Note 4)	Limit (Note 4)	Limit (Note 4)	
Input Offset Voltage		1	3 <b>3.5</b>	3 <b>3.3</b>	6 <b>6.3</b>	6 <b>6.5</b>	mV max
Input Offset Voltage Average Drift		1.3					$\mu\text{V}/^\circ\text{C}$
Input Bias Current		0.002	20 <b>100</b>	4 <b>4</b>	2 <b>2</b>	60 <b>60</b>	pA max
Input Offset Current		0.001	20 <b>100</b>	2 <b>2</b>	1 <b>1</b>	60 <b>60</b>	pA max
Input Resistance		>1					Tera $\Omega$
Common Mode Rejection Ratio	$0\text{V} \leq V_{CM} \leq 12.0\text{V}$ $V^+ = 15\text{V}$	83	70 <b>68</b>	70 <b>68</b>	63 <b>62</b>	63 <b>60</b>	dB min
Positive Power Supply Rejection Ratio	$5\text{V} \leq V^+ \leq 15\text{V}$ $V_O = 2.5\text{V}$	83	70 <b>68</b>	70 <b>68</b>	63 <b>62</b>	63 <b>60</b>	dB min
Negative Power Supply Rejection Ratio	$0\text{V} \leq V^- \leq -10\text{V}$	94	84 <b>82</b>	84 <b>83</b>	74 <b>73</b>	74 <b>70</b>	dB min
Input Common-Mode Voltage Range	$V^+ = 5\text{V} \text{ \& } 15\text{V}$ For CMRR ≥ 50 dB	-0.4	-0.1 <b>0</b>	-0.1 <b>0</b>	-0.1 <b>0</b>	-0.1 <b>0</b>	V max
		$V^+ - 1.9$	$V^+ - 2.3$ <b><math>V^+ - 2.6</math></b>	$V^+ - 2.3$ <b><math>V^+ - 2.5</math></b>	$V^+ - 2.3$ <b><math>V^+ - 2.4</math></b>	$V^+ - 2.3$ <b><math>V^+ - 2.6</math></b>	V min
Large Signal Voltage Gain	$R_L = 2\text{ k}\Omega$ (Note 5)	2000	400 <b>300</b>	440 <b>400</b>	300 <b>200</b>	200 <b>100</b>	V/mV min
	Sourcing						
	Sinking	500	180 <b>70</b>	180 <b>120</b>	90 <b>80</b>	90 <b>40</b>	V/mV min
	$R_L = 600\Omega$ (Note 5)	1000	200 <b>150</b>	220 <b>200</b>	150 <b>100</b>	100 <b>75</b>	V/mV min
	Sourcing						
	Sinking	250	100 <b>35</b>	100 <b>60</b>	50 <b>40</b>	50 <b>20</b>	V/mV min

## DC Electrical Characteristics (Continued)

Unless otherwise specified, all limits guaranteed for  $T_J = 25^\circ\text{C}$ . **Boldface** limits apply at the temperature extremes.  $V^+ = 5\text{V}$ ,  $V^- = 0\text{V}$ ,  $V_{\text{CM}} = 1.5\text{V}$ ,  $V_O = 2.5\text{V}$  and  $R_L > 1\text{M}$  unless otherwise specified.

Parameter	Conditions	Typ (Note 4)	LMC662AMJ/883	LMC662AI	LMC662C	LMC662E	Units
			LMC662AMD	Limit	Limit	Limit	
			(Notes 4, 9)	(Note 4)	(Note 4)	(Note 4)	
Output Swing	$V^+ = 5\text{V}$ $R_L = 2\text{ k}\Omega$ to $V^+/2$	4.87	4.82	4.82	4.78	4.78	V
			<b>4.77</b>	<b>4.79</b>	<b>4.76</b>	<b>4.70</b>	V
	$V^+ = 5\text{V}$ $R_L = 600\Omega$ to $V^+/2$	0.10	0.15	0.15	0.19	0.19	V
			<b>0.19</b>	<b>0.17</b>	<b>0.21</b>	<b>0.25</b>	max
	$V^+ = 5\text{V}$ $R_L = 600\Omega$ to $V^+/2$	4.61	4.41	4.41	4.27	4.27	V
			<b>4.24</b>	<b>4.31</b>	<b>4.21</b>	<b>4.10</b>	min
	$V^+ = 15\text{V}$ $R_L = 2\text{ k}\Omega$ to $V^+/2$	0.30	0.50	0.50	0.63	0.63	V
			<b>0.63</b>	<b>0.56</b>	<b>0.69</b>	<b>0.75</b>	max
	$V^+ = 15\text{V}$ $R_L = 2\text{ k}\Omega$ to $V^+/2$	14.63	14.50	14.50	14.37	14.37	V
			<b>14.40</b>	<b>14.44</b>	<b>14.32</b>	<b>14.25</b>	min
	$V^+ = 15\text{V}$ $R_L = 600\Omega$ to $V^+/2$	0.26	0.35	0.35	0.44	0.44	V
			<b>0.43</b>	<b>0.40</b>	<b>0.48</b>	<b>0.55</b>	max
Output Current $V^+ = 5\text{V}$	Sourcing, $V_O = 0\text{V}$	22	16	16	13	13	mA
			<b>12</b>	<b>14</b>	<b>11</b>	<b>9</b>	min
Sinking, $V_O = 5\text{V}$	21	16	16	13	13	mA	
		<b>12</b>	<b>14</b>	<b>11</b>	<b>9</b>	min	
Output Current $V^+ = 15\text{V}$	Sourcing, $V_O = 0\text{V}$	40	19	28	23	23	mA
			<b>19</b>	<b>25</b>	<b>21</b>	<b>15</b>	min
	Sinking, $V_O = 13\text{V}$ (Note 12)	39	19	28	23	23	mA
			<b>19</b>	<b>24</b>	<b>20</b>	<b>15</b>	min
Supply Current	Both Amplifiers $V_O = 1.5\text{V}$	0.75	1.3	1.3	1.6	1.6	mA
			<b>1.8</b>	<b>1.5</b>	<b>1.8</b>	<b>1.9</b>	max

## AC Electrical Characteristics

Unless otherwise specified, all limits guaranteed for  $T_J = 25^\circ\text{C}$ . **Boldface** limits apply at the temperature extremes.  $V^+ = 5\text{V}$ ,  $V^- = 0\text{V}$ ,  $V_{\text{CM}} = 1.5\text{V}$ ,  $V_O = 2.5\text{V}$  and  $R_L > 1\text{M}$  unless otherwise specified.

Parameter	Conditions	Typ (Note 4)	LMC662AMJ/883	LMC662AI	LMC662C	LMC662E	Units
			LMC662AMD	Limit	Limit	Limit	
			(Notes 4, 9)	(Note 4)	(Note 4)	(Note 4)	
Slew Rate	(Note 6)	1.1	0.8	0.8	0.8	0.8	V/ $\mu\text{s}$
			<b>0.5</b>	<b>0.6</b>	<b>0.7</b>	<b>0.4</b>	min
Gain-Bandwidth Product		1.4					MHz
Phase Margin		50					Deg
Gain Margin		17					dB
Amp-to-Amp Isolation	(Note 7)	130					dB
Input-Referred Voltage Noise	$F = 1\text{ kHz}$	22					$\text{nV}/\sqrt{\text{Hz}}$
Input-Referred Current Noise	$F = 1\text{ kHz}$	0.0002					$\text{pA}/\sqrt{\text{Hz}}$
Total Harmonic Distortion	$F = 10\text{ kHz}$ , $A_V = -10$ $R_L = 2\text{ k}\Omega$ , $V_O = 8\text{ V}_{\text{PP}}$ $V^+ = 15\text{V}$	0.01					%

## AC Electrical Characteristics (Continued)

**Note 1:** Applies to both single-supply and split-supply operation. Continuous short circuit operation at elevated ambient temperature and/or multiple Op Amp shorts can result in exceeding the maximum allowed junction temperature of 150°C. Output currents in excess of ±30 mA over long term may adversely affect reliability.

**Note 2:** The maximum power dissipation is a function of  $T_{J(max)}$ ,  $\theta_{JA}$ , and  $T_A$ . The maximum allowable power dissipation at any ambient temperature is  $P_D = (T_{J(max)} - T_A) / \theta_{JA}$ .

**Note 3:** Absolute Maximum Ratings indicate limits beyond which damage to the device may occur. Operating Ratings indicate conditions for which the device is intended to be functional, but do not guarantee specific performance limits. For guaranteed specifications and test conditions, see the Electrical Characteristics. The guaranteed specifications apply only for the test conditions listed.

**Note 4:** Typical values represent the most likely parametric norm. Limits are guaranteed by testing or correlation.

**Note 5:**  $V^+ = 15V$ ,  $V_{CM} = 7.5V$  and  $R_L$  connected to 7.5V. For Sourcing tests,  $7.5V \leq V_O \leq 11.5V$ . For Sinking tests,  $2.5V \leq V_O \leq 7.5V$ .

**Note 6:**  $V^+ = 15V$ . Connected as Voltage Follower with 10V step input. Number specified is the slower of the positive and negative slew rates.

**Note 7:** Input referred.  $V^+ = 15V$  and  $R_L = 10 k\Omega$  connected to  $V^+/2$ . Each amp excited in turn with 1 kHz to produce  $V_O = 13 V_{PP}$ .

**Note 8:** Human body model, 1.5 kΩ in series with 100 pF.

**Note 9:** A military RETS electrical test specification is available on request. At the time of printing, the LMC662AMJ/883 RETS spec complied fully with the **boldface** limits in this column. The LMC662AMJ/883 may also be procured to a Standard Military Drawing specification.

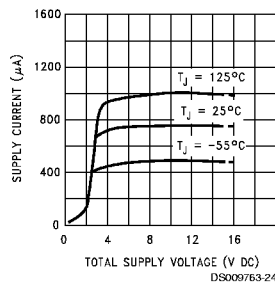
**Note 10:** For operating at elevated temperatures the device must be derated based on the thermal resistance  $\theta_{JA}$  with  $P_D = (T_J - T_A) / \theta_{JA}$ .

**Note 11:** All numbers apply for packages soldered directly into a PC board.

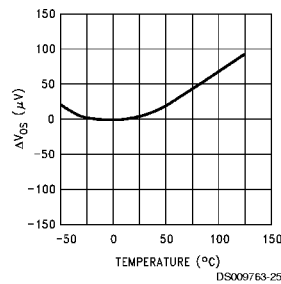
**Note 12:** Do not connect output to  $V^+$  when  $V^+$  is greater than 13V or reliability may be adversely affected.

## Typical Performance Characteristics $V_S = \pm 7.5V$ , $T_A = 25^\circ C$ unless otherwise specified

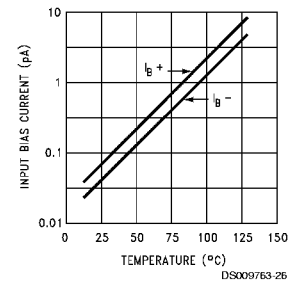
**Supply Current vs Supply Voltage**



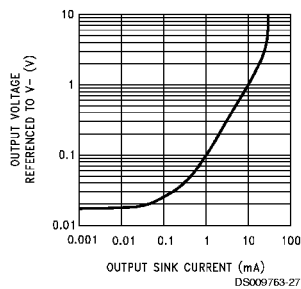
**Offset Voltage**



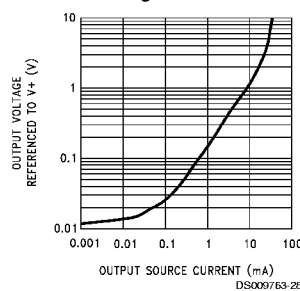
**Input Bias Current**



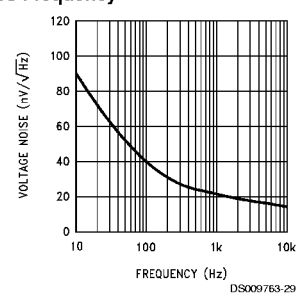
**Output Characteristics Current Sinking**



**Output Characteristics Current Sourcing**

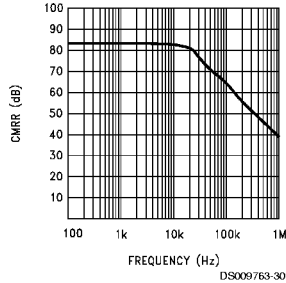


**Input Voltage Noise vs Frequency**

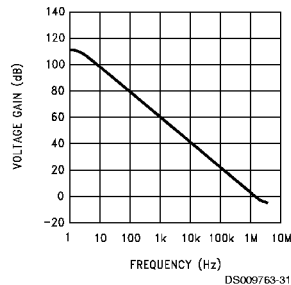


## Typical Performance Characteristics $V_S = \pm 7.5V$ , $T_A = 25^\circ C$ unless otherwise specified (Continued)

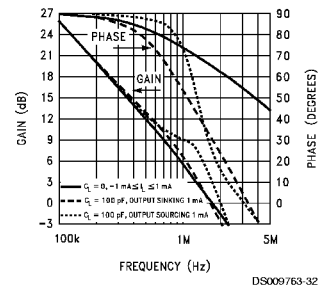
**CMRR vs Frequency**



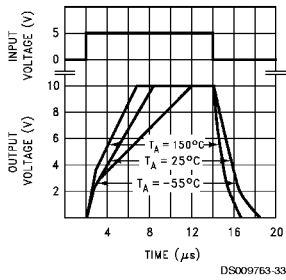
**Open-Loop Frequency Response**



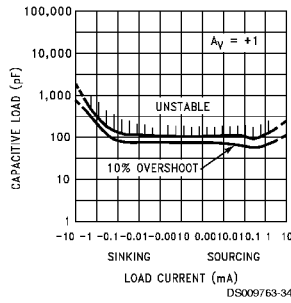
**Frequency Response vs Capacitive Load**



**Non-Inverting Large Signal Pulse Response**

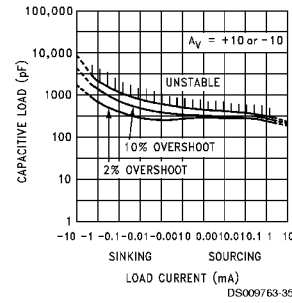


**Stability vs Capacitive Load**



**Note:** Avoid resistive loads of less than 500Ω, as they may cause instability.

**Stability vs Capacitive Load**



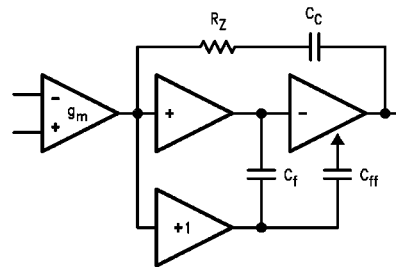
**Note:** Avoid resistive loads of less than 500Ω, as they may cause instability.

## Application Hints

### AMPLIFIER TOPOLOGY

The topology chosen for the LMC662, shown in *Figure 1*, is unconventional (compared to general-purpose op amps) in that the traditional unity-gain buffer output stage is not used; instead, the output is taken directly from the output of the integrator, to allow rail-to-rail output swing. Since the buffer traditionally delivers the power to the load, while maintaining high op amp gain and stability, and must withstand shorts to either rail, these tasks now fall to the integrator.

As a result of these demands, the integrator is a compound affair with an embedded gain stage that is doubly fed forward (via  $C_f$  and  $C_{ff}$ ) by a dedicated unity-gain compensation driver. In addition, the output portion of the integrator is a push-pull configuration for delivering heavy loads. While sinking current the whole amplifier path consists of three gain stages with one stage fed forward, whereas while sourcing the path contains four gain stages with two fed forward.



**FIGURE 1. LMC662 Circuit Topology (Each Amplifier)**

The large signal voltage gain while sourcing is comparable to traditional bipolar op amps, even with a 600Ω load. The gain while sinking is higher than most CMOS op amps, due to the additional gain stage; however, under heavy load (600Ω) the gain will be reduced as indicated in the Electrical Characteristics.

## Application Hints (Continued)

### COMPENSATING INPUT CAPACITANCE

The high input resistance of the LMC662 op amps allows the use of large feedback and source resistor values without losing gain accuracy due to loading. However, the circuit will be especially sensitive to its layout when these large-value resistors are used.

Every amplifier has some capacitance between each input and AC ground, and also some differential capacitance between the inputs. When the feedback network around an amplifier is resistive, this input capacitance (along with any additional capacitance due to circuit board traces, the socket, etc.) and the feedback resistors create a pole in the feedback path. In the following General Operational Amplifier Circuit, *Figure 2*, the frequency of this pole is

$$f_p = \frac{1}{2\pi C_S R_P}$$

where  $C_S$  is the total capacitance at the inverting input, including amplifier input capacitance and any stray capacitance from the IC socket (if one is used), circuit board traces, etc., and  $R_P$  is the parallel combination of  $R_F$  and  $R_{IN}$ . This formula, as well as all formulae derived below, apply to inverting and non-inverting op-amp configurations.

When the feedback resistors are smaller than a few k $\Omega$ , the frequency of the feedback pole will be quite high, since  $C_S$  is generally less than 10 pF. If the frequency of the feedback pole is much higher than the "ideal" closed-loop bandwidth (the nominal closed-loop bandwidth in the absence of  $C_S$ ), the pole will have a negligible effect on stability, as it will add only a small amount of phase shift.

However, if the feedback pole is less than approximately 6 to 10 times the "ideal" -3 dB frequency, a feedback capacitor,  $C_F$ , should be connected between the output and the inverting input of the op amp. This condition can also be stated in terms of the amplifier's low-frequency noise gain: To maintain stability, a feedback capacitor will probably be needed if

$$\left(\frac{R_F}{R_{IN}} + 1\right) \leq \sqrt{6 \times 2\pi \times GBW \times R_F \times C_S}$$

where

$$\left(\frac{R_F}{R_{IN}} + 1\right)$$

is the amplifier's low-frequency noise gain and GBW is the amplifier's gain bandwidth product. An amplifier's low-frequency noise gain is represented by the formula

$$\left(\frac{R_F}{R_{IN}} + 1\right)$$

regardless of whether the amplifier is being used in an inverting or non-inverting mode. Note that a feedback capacitor is more likely to be needed when the noise gain is low and/or the feedback resistor is large.

If the above condition is met (indicating a feedback capacitor will probably be needed), and the noise gain is large enough that:

$$\left(\frac{R_F}{R_{IN}} + 1\right) \geq 2\sqrt{GBW \times R_F \times C_S},$$

the following value of feedback capacitor is recommended:

$$C_F = \frac{C_S}{2 \left(\frac{R_F}{R_{IN}} + 1\right)}$$

If

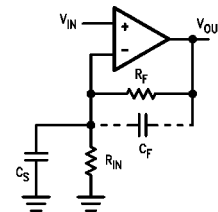
$$\left(\frac{R_F}{R_{IN}} + 1\right) < 2\sqrt{GBW \times R_F \times C_S},$$

the feedback capacitor should be:

$$C_F = \sqrt{\frac{C_S}{GBW \times R_F}}$$

Note that these capacitor values are usually significantly smaller than those given by the older, more conservative formula:

$$C_F = \frac{C_S R_{IN}}{R_F}$$



DS009763-6

$C_S$  consists of the amplifier's input capacitance plus any stray capacitance from the circuit board and socket.  $C_F$  compensates for the pole caused by  $C_S$  and the feedback resistor.

**FIGURE 2. General Operational Amplifier Circuit**

Using the smaller capacitors will give much higher bandwidth with little degradation of transient response. It may be necessary in any of the above cases to use a somewhat larger feedback capacitor to allow for unexpected stray capacitance, or to tolerate additional phase shifts in the loop, or excessive capacitive load, or to decrease the noise or bandwidth, or simply because the particular circuit implementation needs more feedback capacitance to be sufficiently stable. For example, a printed circuit board's stray capacitance may be larger or smaller than the breadboard's, so the actual optimum value for  $C_F$  may be different from the one estimated using the breadboard. In most cases, the value of  $C_F$  should be checked on the actual circuit, starting with the computed value.

### CAPACITIVE LOAD TOLERANCE

Like many other op amps, the LMC662 may oscillate when its applied load appears capacitive. The threshold of oscillation varies both with load and circuit gain. The configuration most sensitive to oscillation is a unity-gain follower. See the Typical Performance Characteristics.

The load capacitance interacts with the op amp's output resistance to create an additional pole. If this pole frequency is sufficiently low, it will degrade the op amp's phase margin so that the amplifier is no longer stable at low gains. As shown in *Figure 3*, the addition of a small resistor (50 $\Omega$  to 100 $\Omega$ ) in series with the op amp's output, and a capacitor (5 pF to 10 pF) from inverting input to output pins, returns the phase

## Application Hints (Continued)

margin to a safe value without interfering with lower-frequency circuit operation. Thus, larger values of capacitance can be tolerated without oscillation. Note that in all cases, the output will ring heavily when the load capacitance is near the threshold for oscillation.

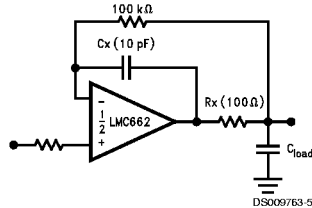


FIGURE 3.  $R_x$ ,  $C_x$  Improve Capacitive Load Tolerance

Capacitive load driving capability is enhanced by using a pull up resistor to  $V+$  Figure 4. Typically a pull up resistor conducting  $500\ \mu\text{A}$  or more will significantly improve capacitive load responses. The value of the pull up resistor must be determined based on the current sinking capability of the amplifier with respect to the desired output swing. Open loop gain of the amplifier can also be affected by the pull up resistor (see Electrical Characteristics).

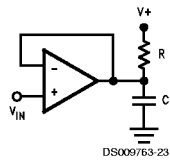


FIGURE 4. Compensating for Large Capacitive Loads with a Pull Up Resistor

### PRINTED-CIRCUIT-BOARD LAYOUT FOR HIGH-IMPEDANCE WORK

It is generally recognized that any circuit which must operate with less than  $1000\text{ pA}$  of leakage current requires special layout of the PC board. When one wishes to take advantage of the ultra-low bias current of the LMC662, typically less than  $0.04\text{ pA}$ , it is essential to have an excellent layout. Fortunately, the techniques for obtaining low leakages are quite simple. First, the user must not ignore the surface leakage of the PC board, even though it may sometimes appear acceptably low, because under conditions of high humidity or dust or contamination, the surface leakage will be appreciable.

To minimize the effect of any surface leakage, lay out a ring of foil completely surrounding the LMC662's inputs and the terminals of capacitors, diodes, conductors, resistors, relay terminals, etc. connected to the op-amp's inputs. See Figure 5. To have a significant effect, guard rings should be placed on both the top and bottom of the PC board. This PC foil must then be connected to a voltage which is at the same voltage as the amplifier inputs, since no leakage current can flow between two points at the same potential. For example, a PC board trace-to-pad resistance of  $10^{12}\ \Omega$ , which is normally considered a very large resistance, could leak  $5\text{ pA}$  if the trace were a  $5\text{ V}$  bus adjacent to the pad of an input. This would cause a 100 times degradation from the LMC662's actual performance. However, if a guard ring is held within  $5\text{ mV}$  of the inputs, then even a resistance of  $10^{11}\ \Omega$  would cause only  $0.05\text{ pA}$  of leakage current, or perhaps a minor (2:1) degradation of the amplifier's performance. See Fig-

ures 6, 7, 8 for typical connections of guard rings for standard op-amp configurations. If both inputs are active and at high impedance, the guard can be tied to ground and still provide some protection; see Figure 9.

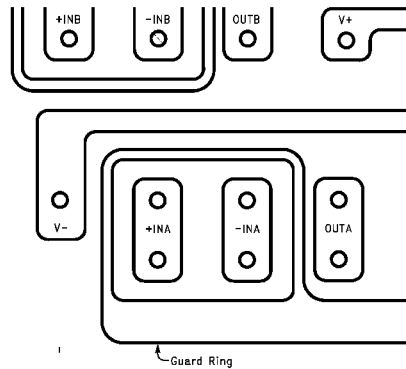


FIGURE 5. Example, using the LMC660, of Guard Ring in P.C. Board Layout

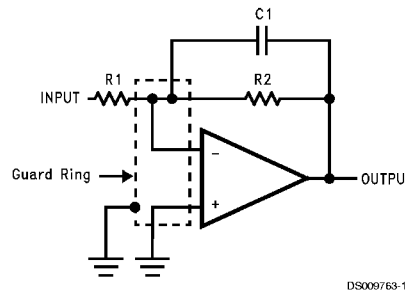


FIGURE 6. Guard Ring Connections: Inverting Amplifier

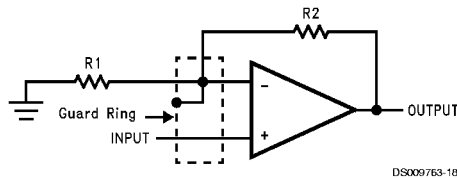


FIGURE 7. Guard Ring Connections: Non-Inverting Amplifier

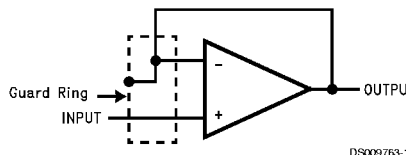
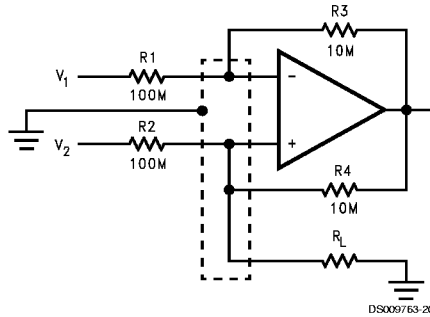


FIGURE 8. Guard Ring Connections: Follower

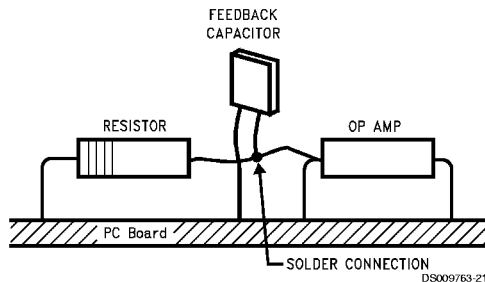


## Application Hints (Continued)



**FIGURE 9. Guard Ring Connections: Howland Current Pump**

The designer should be aware that when it is inappropriate to lay out a PC board for the sake of just a few circuits, there is another technique which is even better than a guard ring on a PC board: Don't insert the amplifier's input pin into the board at all, but bend it up in the air and use only air as an insulator. Air is an excellent insulator. In this case you may have to forego some of the advantages of PC board construction, but the advantages are sometimes well worth the effort of using point-to-point up-in-the-air wiring. See *Figure 10*.

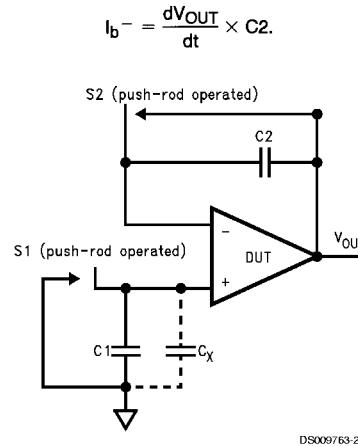


(Input pins are lifted out of PC board and soldered directly to components. All other pins connected to PC board.)

**FIGURE 10. Air Wiring**

## BIAS CURRENT TESTING

The test method of *Figure 11* is appropriate for bench-testing bias current with reasonable accuracy. To understand its operation, first close switch S2 momentarily. When S2 is opened, then



**FIGURE 11. Simple Input Bias Current Test Circuit**

A suitable capacitor for C2 would be a 5 pF or 10 pF silver mica, NPO ceramic, or air-dielectric. When determining the magnitude of  $I_{b-}$ , the leakage of the capacitor and socket must be taken into account. Switch S2 should be left shorted most of the time, or else the dielectric absorption of the capacitor C2 could cause errors.

Similarly, if S1 is shorted momentarily (while leaving S2 shorted)

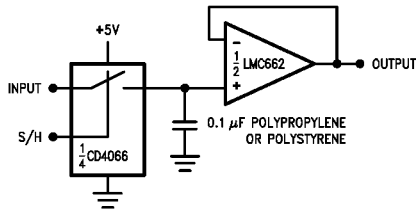
$$I_{b+} = \frac{dV_{OUT}}{dt} \times (C_1 + C_x)$$

where  $C_x$  is the stray capacitance at the + input.

## Typical Single-Supply Applications (V<sup>+</sup> = 5.0 V<sub>DC</sub>)

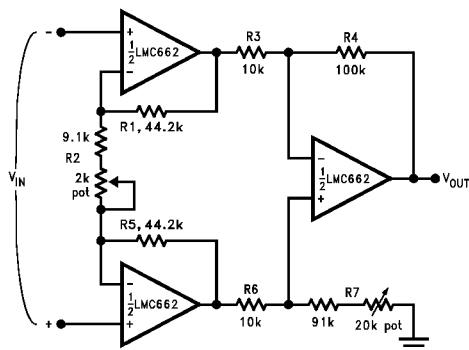
Additional single-supply applications ideas can be found in the LM358 datasheet. The LMC662 is pin-for-pin compatible with the LM358 and offers greater bandwidth and input resistance over the LM358. These features will improve the performance of many existing single-supply applications. Note, however, that the supply voltage range of the LMC662 is smaller than that of the LM358.

### Low-Leakage Sample-and-Hold



DS009763-15

### Instrumentation Amplifier



DS009763-7

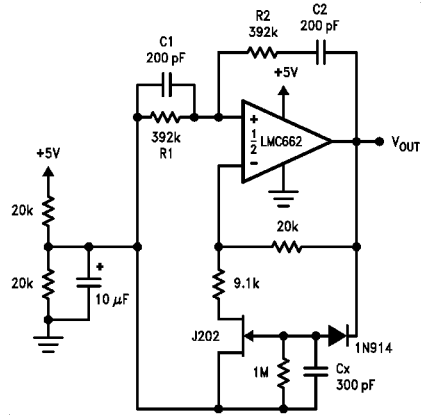
If  $R_1 = R_5$ ,  $R_3 = R_6$ , and  $R_4 = R_7$ ; then

$$\frac{V_{OUT}}{V_{IN}} = \frac{R_2 + 2R_1}{R_2} \times \frac{R_4}{R_3}$$

∴  $A_V \approx 100$  for circuit shown.

For good CMRR over temperature, low drift resistors should be used. Matching of R3 to R6 and R4 to R7 affects CMRR. Gain may be adjusted through R2. CMRR may be adjusted through R7.

### Sine-Wave Oscillator



DS009763-8

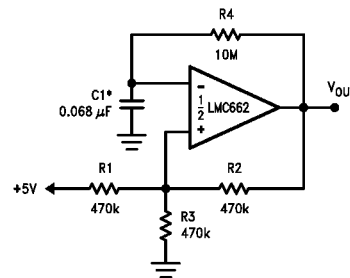
Oscillator frequency is determined by R1, R2, C1, and C2:

$$f_{OSC} = 1/2\pi RC$$

where  $R = R_1 = R_2$  and  $C = C_1 = C_2$ .

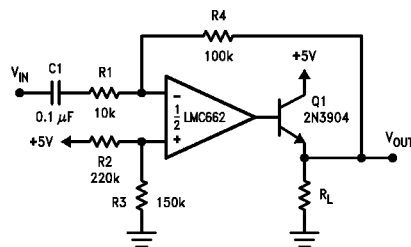
This circuit, as shown, oscillates at 2.0 kHz with a peak-to-peak output swing of 4.5V

### 1 Hz Square-Wave Oscillator



DS009763-9

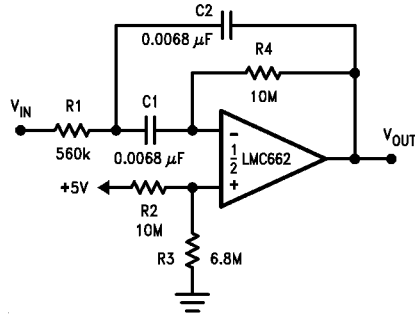
### Power Amplifier



DS009763-10

## Typical Single-Supply Applications $(V^+ = 5.0 V_{DC})$ (Continued)

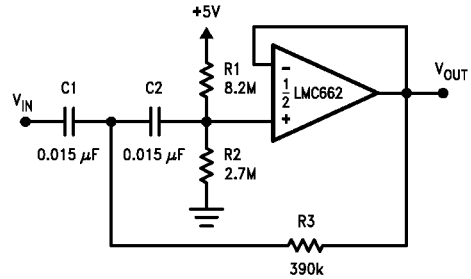
### 10 Hz Bandpass Filter



DS009763-11

$f_o = 10 \text{ Hz}$   
 $Q = 2.1$   
 Gain = -8.8

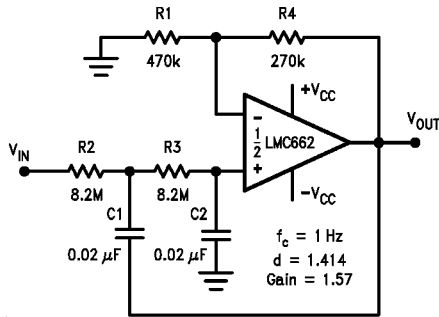
### 10 Hz High-Pass Filter



DS009763-12

$f_o = 10 \text{ Hz}$   
 $d = 0.895$   
 Gain = 1  
 2 dB passband ripple

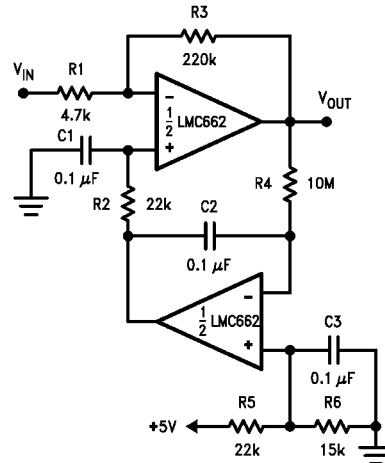
### 1 Hz Low-Pass Filter (Maximally Flat, Dual Supply Only)



DS009763-13

$f_o = 1 \text{ Hz}$   
 $d = 1.414$   
 Gain = 1.57

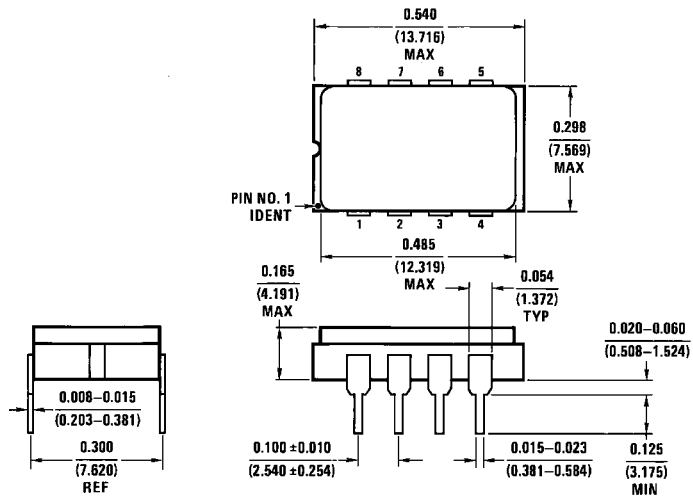
### High Gain Amplifier with Offset Voltage Reduction



DS009763-14

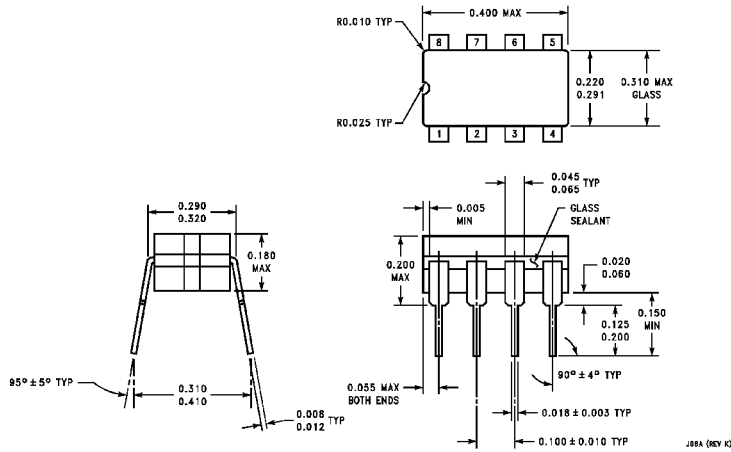
Gain = -46.8  
 Output offset voltage reduced to the level of the input offset voltage of the bottom amplifier (typically 1 mV).

**Physical Dimensions** inches (millimeters) unless otherwise noted



D08C (REV C)

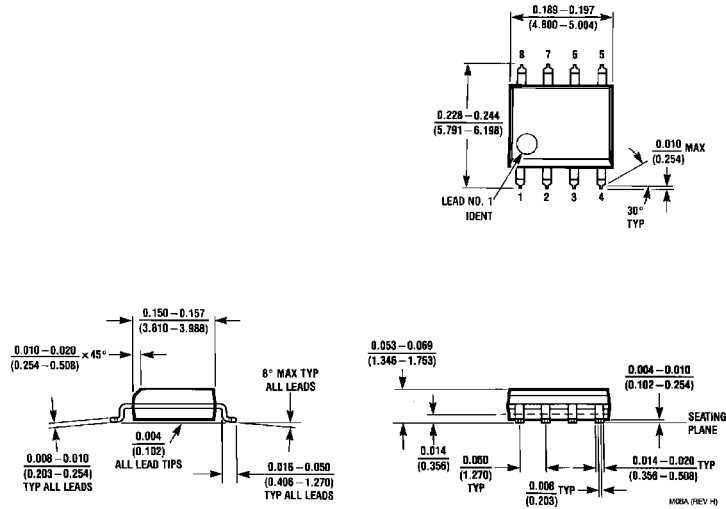
**Hermetic Dual-In-Line Pkg. (D)**  
**Order Number LMC662AMD**  
**NS Package Number D08C**



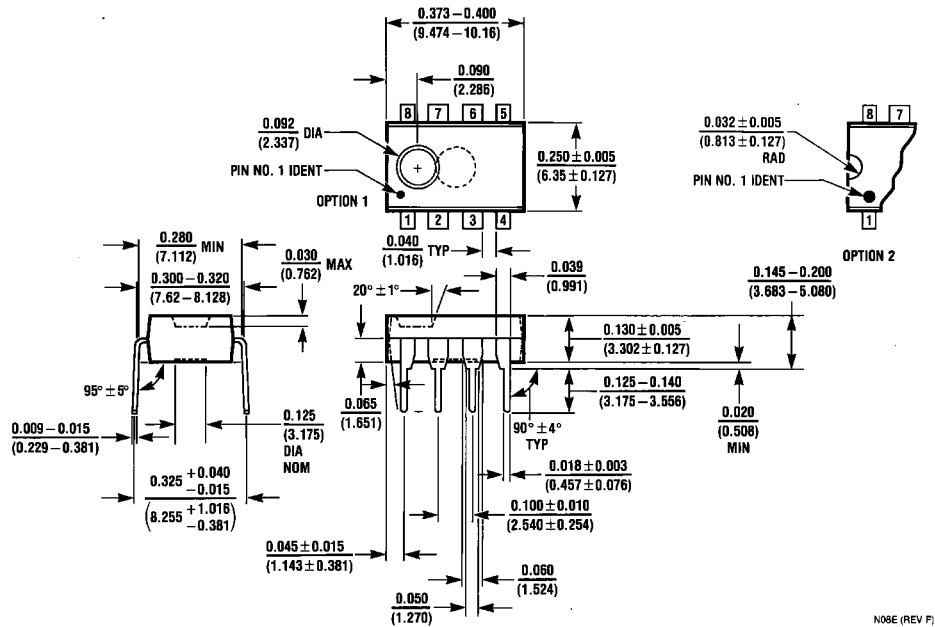
J08A (REV K)

**Ceramic Dual-In-Line Pkg. (J)**  
**Order Number LMC662AMJ/883**  
**NS Package Number J08A**

**Physical Dimensions** inches (millimeters) unless otherwise noted (Continued)



Small Outline Dual-In-Line Pkg. (M)  
Order Number LMC662AIM, LMC662CM or LMC662EM  
NS Package Number M08A



Molded Dual-In-Line Pkg. (N)  
Order Number LMC662AIN, LMC662CN or LMC662EN  
NS Package Number N08E