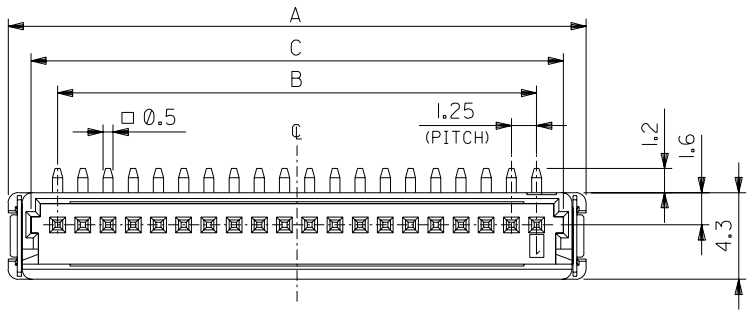
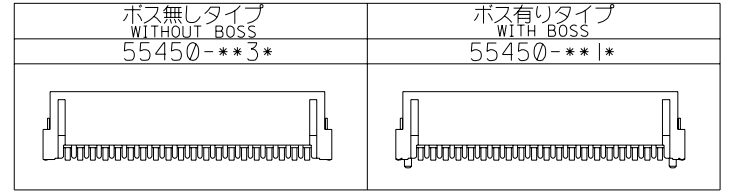


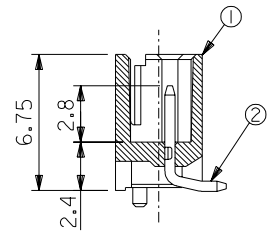
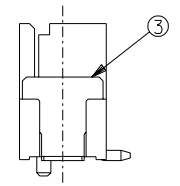
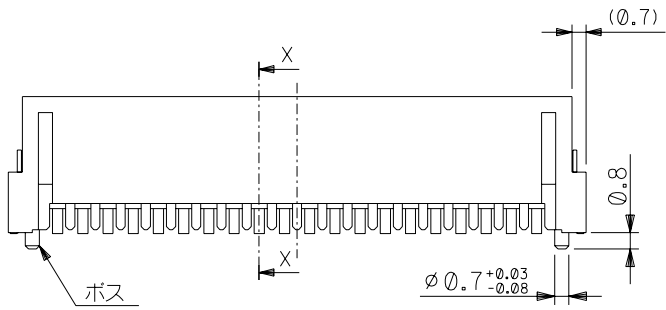
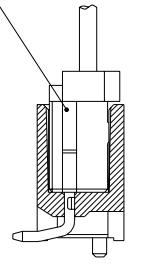
DWG. NO. SD-55450-003



番号 NO.	名称 NAME	原料 MATERIAL	数量 QTY	仕上げ FINISH
①	ウエハー WAFER	ナイロン NYLON	1	UL94V-0
②	ピン PIN	黄銅 BRASS	N	全体錫メッキ PRE-TINNED
③	フィッティングネール FITTING NAIL	黄銅 BRASS	2	半田めっき Sn-Pb PLATING



54596-***1*
リセプタクルアセンブリ
REC. ASS'Y



27.05	26.25	26.4	23.75	28.65	20	55450-20**
25.8	25	25.15	22.5	27.4	19	-19**
24.55	23.75	23.9	21.25	26.15	18	-18**
23.3	22.5	22.65	20	24.9	17	-17**
22.05	21.25	21.4	18.75	23.65	16	-16**
20.8	20	20.15	17.5	22.4	15	-15**
19.55	18.75	18.9	16.25	21.15	14	-14**
18.3	17.5	17.65	15	19.9	13	-13**
17.05	16.25	16.4	13.75	18.65	12	-12**
15.8	15	15.15	12.5	17.4	11	-11**
14.55	13.75	13.9	11.25	16.15	10	-10**
13.3	12.5	12.65	10	14.9	9	-09**
12.05	11.25	11.4	8.75	13.65	8	-08**
10.8	10	10.15	7.5	12.4	7	-07**
9.55	8.75	8.9	6.25	11.15	6	-06**
8.3	7.5	7.65	5	9.9	5	-05**
7.05	6.25	6.4	3.75	8.65	4	-04**
5.8	5	5.15	2.5	7.4	3	-03**
4.55	3.75	3.9	1.25	6.15	2	55450-02**
E	D	C	B	A	極数	製品番号
					CIRCUIT SIZE	MATERIAL NO.

注) NOTES

1. 原料および仕上げ：表参照
MATERIAL AND FINISH: SEE CHART
2. エンボス梱包品の詳細は、
SD-55450-005 参照
REFER TO THE SD-55450-005
FOR THE EMBOSSED PACKAGING.
3. 端子平坦度は 0.15 MAX. とする。
COPLANALITY TO BE 0.15 MAX.

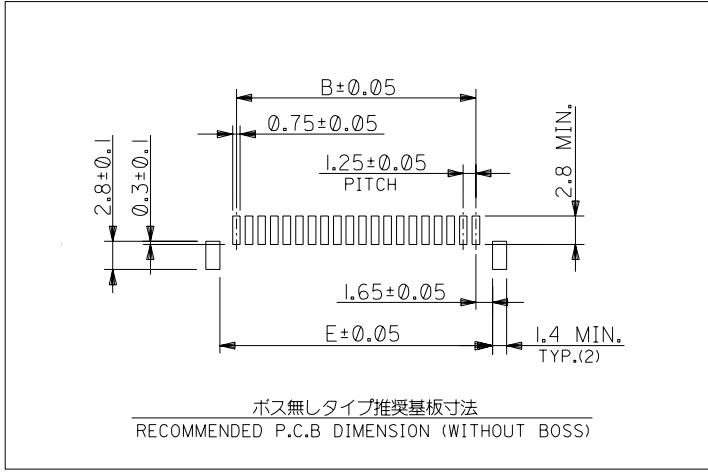
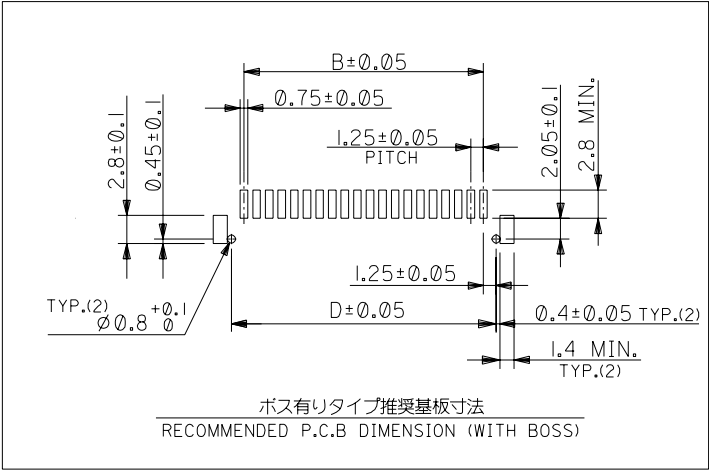
③ 製品番号
MATERIAL NO.

55450-****	極数 CIRCUIT SIZE (02 ~ 20)
ボス BOSS 1: ボス有り WITH BOSS	
3: ボス無し WITHOUT BOSS	
色 COLOR 0: 自然色 NATURAL	

DO NOT SCALE DRAWING

EC NO. DRWN: CHK: APPR:	変更 REVISD EC NO. J2002-2587 DRWN: A.IDA '02/04/12 CHK: M.YAGI APPR: YO.IITO	変更 REVISD EC NO. J2002-1014 DRWN: A.IDA '01/07/25 CHK: M.YAGI APPR: YO.IITO	変更 REVISD EC NO. JD2001-1052 DRWN: M.YAGI '01/02/26 CHK: S.ICHIKAWA/Y.IITO APPR: H.IKESUGI	新規作成 RELEASED EC NO. JD2000-1336 DRWN: M.YAGI '00/06/09 CHK: S.ICHIKAWA/Y.IITO APPR: H.IKESUGI	DESCRIPTION	MATERIAL 材料	FINISH 仕上げ	WIRE RANGE 適用電線範囲	INS. RANGE 被覆外径	GENERAL TOLERANCES: (UNLESS SPECIFIED) 一般公差		SCALE 4-1	DESIGN UNITS <input checked="" type="checkbox"/> mm <input type="checkbox"/> INCH	THIRD ANGLE PROJECTION	DIMENSIONS:		SHT	REV
										10 UNDER 未滿	±0.2				mm INCH	mm mm		
C						SEE CHART	SEE CHART			10 OVER 以上	±0.25	DRAWN BY & DATE M. Yagi '00/06/09		TITLE: Mini MiII I-ROW SMT WAFER ASS'Y (Sn)				
B										30 UNDER 未滿	±0.3	CHECKED BY & DATE S. Ichikawa / Y. Ito		MOLEX MOLEX INCORPORATED				
A										30 OVER 以上	±0.3	APPROVED BY & DATE H. Ikesugi		MATERIAL NO. SEE CHART	DRAWING NO. SD-55450-003	SHEET NO. 1 OF 2		
0										ANGLE 角度	±3°	CAD FILE NAME 55450003.S01		MATERIAL NO. SEE CHART	DRAWING NO. SD-55450-003	SHEET NO. 1 OF 2		
THIS DRAWING CONTAINS INFORMATION THAT IS PROPRIETARY TO MOLEX INCORPORATED AND SHOULD NOT BE USED WITHOUT WRITTEN PERMISSION.																		

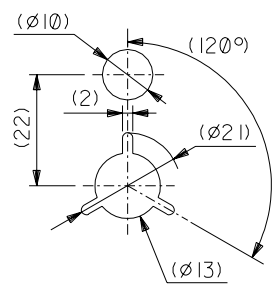
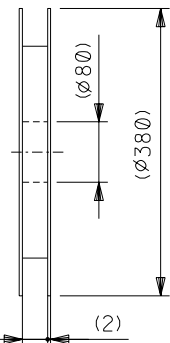
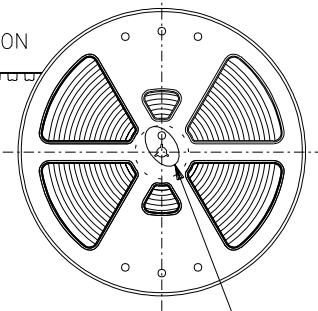
55450003.S01



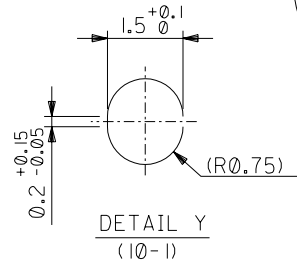
EC NO. DRAWN: CHK'g: APPR:	SEE SHEET 1 OF 2	EC NO. DRAWN: CHK'g: APPR:	SEE SHEET 1 OF 2	EC NO. DRAWN: CHK'g: APPR:	SEE SHEET 1 OF 2	EC NO. DRAWN: CHK'g: APPR:	SEE SHEET 1 OF 2	MATERIAL 材料 SEE SHEET 1 OF 2	GENERAL TOLERANCES: (UNLESS SPECIFIED) 一般公差		SCALE 4-1	DESIGN UNITS <input checked="" type="checkbox"/> mm <input type="checkbox"/> INCH	<input checked="" type="checkbox"/> THIRD ANGLE <input type="checkbox"/> PROJECTION	DIMENSIONS: <input type="checkbox"/> mm <input type="checkbox"/> INCH <input checked="" type="checkbox"/> mm ONLY	SHT	REV
									10 UNDER 未満	±0.2	DRAWN BY & DATE <i>A. Yagi</i> '00/06/09	TITLE: Mini MiII I-ROW SMT WAFER ASS'Y (Sn)				
C	B	A	0	REV	DESCRIPTION 仕上げ	WIRE RANGE 適用電線範囲	INS. RANGE 被覆外径	10 OVER 30 UNDER 以上 未満	±0.25	CHECKED BY & DATE <i>S. Ichikawa / Y.O.</i>	APPROVED BY & DATE <i>[Signature]</i>		MATERIAL NO. SEE CHART		DRAWING NO. SD-55450-003	SHEET NO. 2
								30 OVER 以上	±0.3	CAD FILENAME 55450003.S02		THIS DRAWING CONTAINS INFORMATION THAT IS PROPRIETARY TO MOLEX INCORPORATED AND SHOULD NOT BE USED WITHOUT WRITTEN PERMISSION.		SIZE B		

DWG. NO. SD-55450-005

引き出し方向
PULL OUT DIRECTION

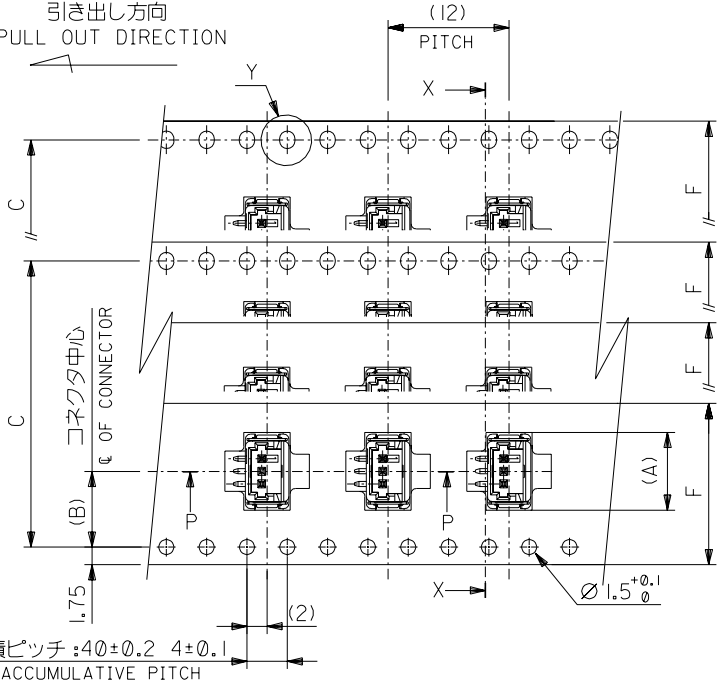


DETAIL Z

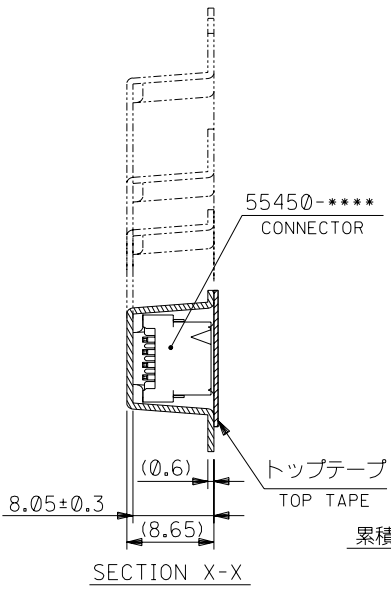


DETAIL Y
(10-1)

引き出し方向
PULL OUT DIRECTION



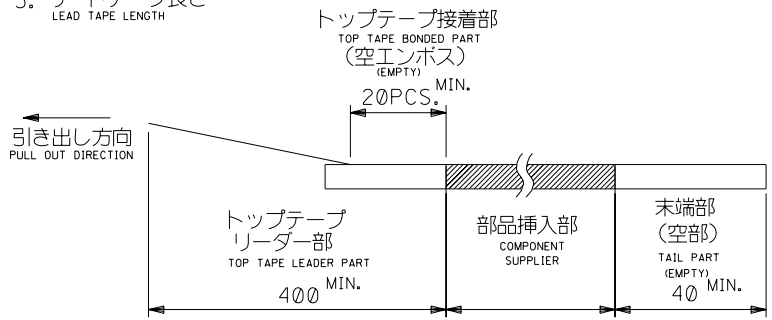
累積ピッチ: 40 ± 0.2 4 ± 0.1
ACCUMULATIVE PITCH



SECTION X-X

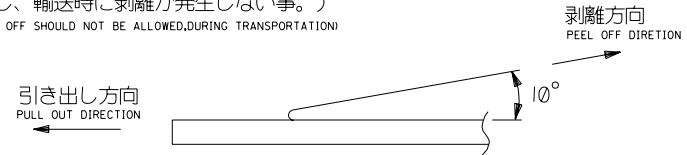
注)
NOTES

- 製品番号 55450-**** の詳細寸法については、SD-55450-003 を参照下さい。
IN THE PACKAGE, PART NO. 55450-**** DETAILED DIMENSIONS, SEE SD-55450-003
- 梱包数量 : 880個/リール
NUMBER OF CONNECTORS : 880 PCS/REEL
- リードテープ長さ
LEAD TAPE LENGTH



- トップテープの剥離強度 (剥離方向は下図参照)
PEELING OFF FORCE OF TOP TAPE (PEELING DIRECTION AS SHOWN IN FOLLOWING FIG.)
0.1~0.7N (10.2~71.4gf)

尚、本規格値は、出荷時に適用。
THIS REQUIREMENT SHOULD BE APPLIED AT SHIPMENT
(但し、輸送時に剥離が発生しない事。)
(PEEL OFF SHOULD NOT BE ALLOWED, DURING TRANSPORTATION)



- 材料
MATERIAL
キャリアテープ : ポリプロピレン (PP)
CARRIER TAPE : POLYPROPYLENE (PP)
トップテープ : PET, PE, PEF
TOP TAPE : PET, PE, PEF
リール : ポリスチレン
REEL : POLYSTYRENE

- テープ巾32, 44mmに適用。
THIS DIMENSION SHOULD BE APPLIED AT TAPE WIDTH OF 32, 44mm

DO NOT SCALE DRAWING

EC NO. DRWN: CHK: APPR:	変更 REVISED EC NO. J2003-2849 DRWN: A.IDA '03/05/09 CHK: M.YAGI APPR: YO.ITO	変更 REVISED EC NO. J2003-0468 DRWN: T.NAKANO '02/08/28 CHK: M.YAGI APPR: YO.ITO	変更 REVISED EC NO. J2002-3107 DRWN: T.NAKANO '02/06/12 CHK: M.YAGI APPR: YO.ITO	DESCRIPTION MATERIAL 材料 FINISH 仕上げ WIRE RANGE 適用層線範囲 INS. RANGE 被覆外径	注参照 SEE NOTES — — —	GENERAL TOLERANCES: (UNLESS SPECIFIED) 一般公差 10 UNDER 未満 ±0.2 10 OVER 以上 30 UNDER 未満 ±0.25 30 OVER 以上 ±0.3 ANGLE 角度 ±3°	SCALE — DRAWN BY & DATE Y. Nogi '00/06/27 CHECKED BY & DATE S. Jinhawa / Y.Oto APPROVED BY & DATE Y. Hasegawa CAB FILENAME 55450005.S01	DESIGN UNITS mm □ mm □ INCH THIRD ANGLE PROJECTION DIMENSIONS: mm □ mm □ INCH □ mm ONLY SHT REV REVISE ON CAD ONLY	TITLE: 55450-**** TAPING PACKAGE MOLEX MOLEX INCORPORATED MATERIAL NO. DRAWING NO. SD-55450-005 SHEET NO. 1 OF 3	SIZE B
----------------------------------	--	---	---	--	---------------------------------	--	--	---	--	-----------

DWG. NO.
SD-55450-005

F

D

V

C

B

DO NOT SCALE DRAWING

8 7 6 5 4 3 2 1

F

E

D

C

B

A

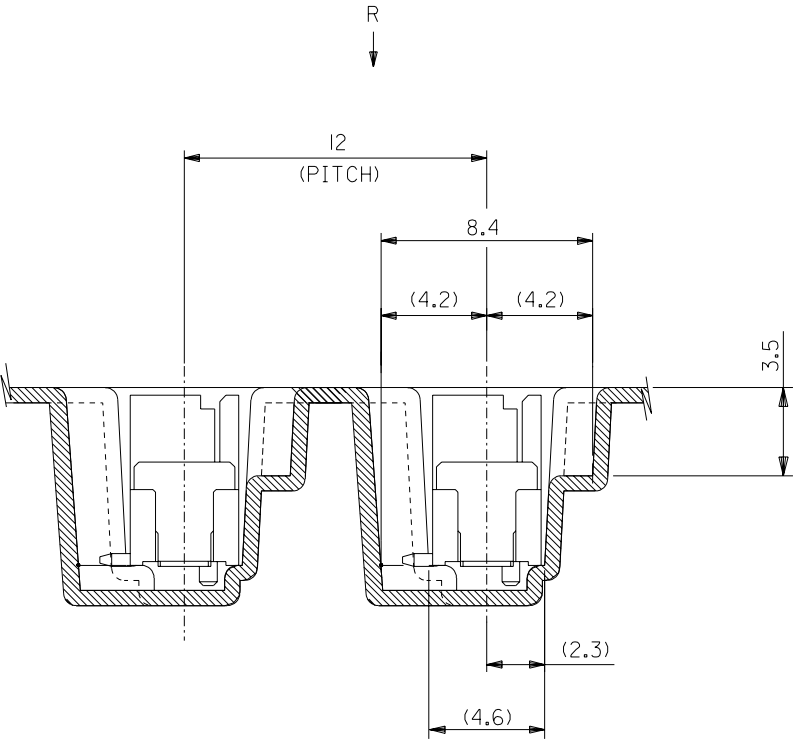
44	3	45.5	40.4	20.2	28.95	55450-2030	55450-2039	55450-2010	55450-2019	20	OK				
					27.7	↑ -1930	↑ -1939					↑ -1910	↑ -1919	19	NO
32	2	33.5	28.4	14.2	26.45	-1830	-1839	-1810	-1819	18	OK				
					25.2	-1730	-1739	-1710	-1719	17	NO				
					23.95	-1630	-1639	-1610	-1619	16	OK				
					22.7	-1530	-1539	-1510	-1519	15	OK				
					21.45	-1430	-1439	-1410	-1419	14	OK				
					20.2	-1330	-1339	-1310	-1319	13	OK				
					18.95	-1230	-1239	-1210	-1219	12	OK				
					17.7	-1130	-1139	-1110	-1119	11	OK				
					16.45	-1030	-1039	-1010	-1019	10	OK				
					15.2	-0930	-0939	-0910	-0919	9	NO				
24	25.5	#	#	11.5	13.95	-0830	-0839	-0810	-0819	8	OK				
					12.7	-0730	-0739	-0710	-0719	7	OK				
					11.45	-0630	-0639	-0610	-0619	6	OK				
					10.2	-0530	-0539	-0510	-0519	5	NO				
16	17.5	#	#	7.5	8.95	-0430	-0439	-0410	-0419	4	NO				
					7.7	↓ -0330	↓ -0339	↓ -0310	↓ -0319	3	OK				
					6.45	55450-0230	55450-0239	55450-0210	55450-0219	2	OK				
F		キャリアテープ巾 TAPE WIDTH	E	(D)	C	(B)	(A)	CONNECTOR	エンボス梱包品 製品番号 MATERIAL NO.	MODEL NO.	CONNECTOR	エンボス梱包品 製品番号 MATERIAL NO.	MODEL NO.	極数 CIRCUIT SIZE	量産対応 AVAILABLE

EC NO. DRAWN: CHK: APPR:	EC NO. DRAWN: CHK: APPR:	SEE SHEET 1 OF 3 EC NO. DRAWN: CHK: APPR:	SEE SHEET 1 OF 3 EC NO. DRAWN: CHK: APPR:	SEE SHEET 1 OF 3 EC NO. DRAWN: CHK: APPR:	DESCRIPTION MATERIAL 材料 SEE SHEET 1 OF 3	GENERAL TOLERANCES: (UNLESS SPECIFIED) 一般公差 10 UNDER 未満 ±0.2 10 OVER 以上 30 UNDER 未満 ±0.25 30 OVER 以上 ±0.3 ANGLE 角度 ±3°	SCALE # DRAWN BY & DATE <i>S. Yaji</i> '00/06/27	DESIGN UNITS <input checked="" type="checkbox"/> mm <input type="checkbox"/> INCH	THIRD ANGLE PROJECTION <input type="checkbox"/> mm <input type="checkbox"/> INCH <input checked="" type="checkbox"/> mm ONLY	TITLE: 55450-**** TAPING PACKAGE	MOLEX MOLEX INCORPORATED	MATERIAL NO. SEE CHART	DRAWING NO. SD-55450-005	SHEET NO. 2 OF 3	REVISE ON CAD ONLY
		G	F	E	FINISH 仕上げ #		CHECKED BY & DATE <i>S. Ichikawa / Y. Ota</i>								
					WIRE RANGE 適用電線範囲 #		APPROVED BY & DATE <i>S. Yaji</i>								
					INS. RANGE 被覆外径 #		CAD FILENAME 55450005.S02								

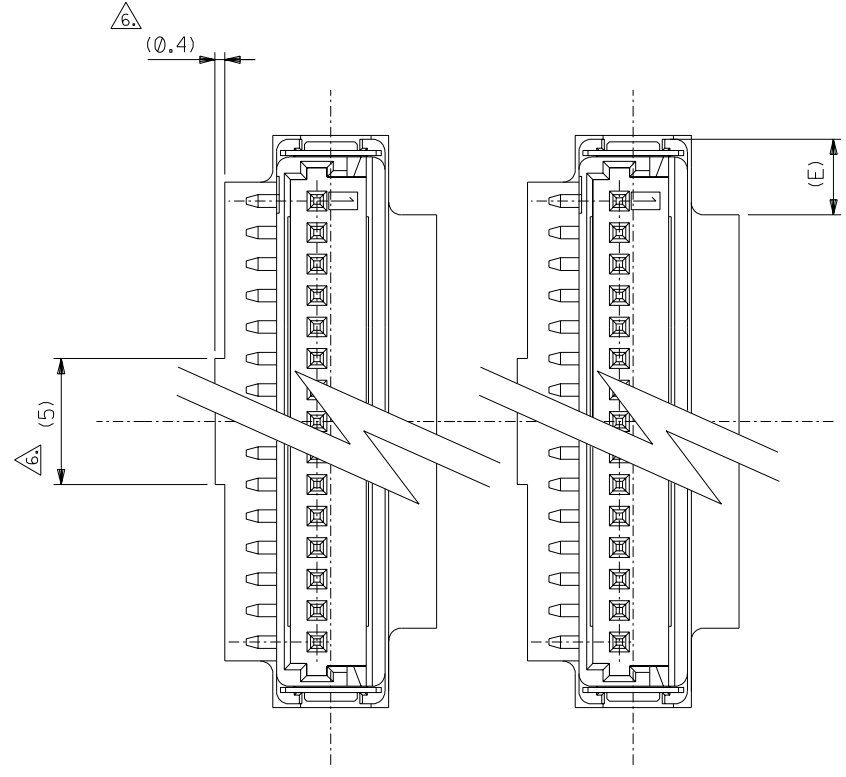
8 7 6 5 4 3 2 1 EN-02J(097) MXJ-54

55449005.S02

8 7 6 5 4 3 2 1



SECTION P-P
(5-1)



VIEW R
(5-1)

EC NO. DRWN: CHK: APPR:	EC NO. DRWN: CHK: APPR:	SEE SHEET 1 OF 3 EC NO. DRWN: CHK: APPR:	SEE SHEET 1 OF 3 EC NO. DRWN: CHK: APPR:	SEE SHEET 1 OF 3 EC NO. DRWN: CHK: APPR:	DESCRIPTION	MATERIAL 材料	GENERAL TOLERANCES: (UNLESS SPECIFIED) 一般公差	SCALE 5-1	DESIGN UNITS <input checked="" type="checkbox"/> mm <input type="checkbox"/> INCH	<input checked="" type="checkbox"/> THIRD ANGLE <input type="checkbox"/> PROJECTION	DIMENSIONS: <input type="checkbox"/> mm <input type="checkbox"/> INCH <input checked="" type="checkbox"/> mm ONLY	SHT	REV	
						SEE SHEET 1 OF 3	SEE SHEET 1 OF 3	SEE SHEET 1 OF 3	SEE SHEET 1 OF 3	SEE SHEET 1 OF 3	SEE SHEET 1 OF 3	SEE SHEET 1 OF 3	SEE SHEET 1 OF 3	SEE SHEET 1 OF 3
FINISH 仕上付						SEE SHEET 1 OF 3	10 UNDER 未満	±0.2	DRAWN BY & DATE <i>M. Yama</i>		TITLE: 55450-**** TAPING PACKAGE			
WIRE RANGE 適用電線範囲						---	10 OVER 30 UNDER 以上 未満	±0.25	CHECKED BY & DATE <i>S. Ichikawa / 2.06</i>		MOLEX MOLEX INCORPORATED			
INS. RANGE 被覆外径						---	30 OVER 以上	±0.3	APPROVED BY & DATE <i>(Signature)</i>		MATERIAL NO. SEE SHEET 2	DRAWING NO. SD-55450-005	SHEET NO. 3	SIZE B
REV						---	ANGLE 角度	±3°	CAD FILE NAME 55450005.S03		THIS DRAWING CONTAINS INFORMATION THAT IS PROPRIETARY TO MOLEX INCORPORATED AND SHOULD NOT BE USED WITHOUT WRITTEN PERMISSION.			