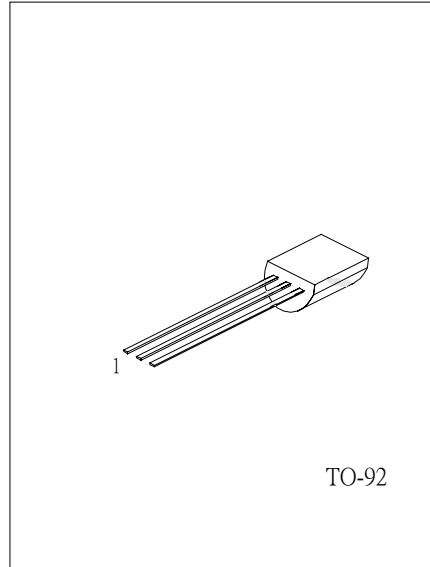
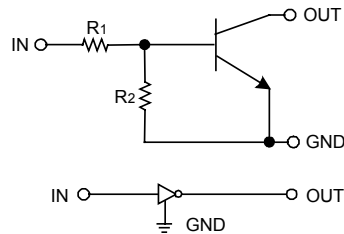


NPN DIGITAL TRANSISTOR
(BUILT-IN RESISTORS)

FEATURES

- * Built-in bias resistors enable the configuration of an inverter circuit without connecting external input resistors (see equivalent circuit).
- * The bias resistors consist of thin-film resistors with complete isolation to allow negative biasing of the input. They also have the advantage of almost completely eliminating parasitic effects.
- * Only the on/off conditions need to be set for operation, making device design easy.

EQUIVALENT CIRCUIT



1: GND 2: OUT 3: IN

ABSOLUTE MAXIMUM RATINGS (Ta = 25°C)

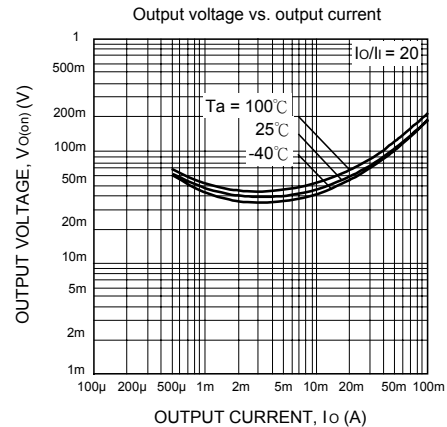
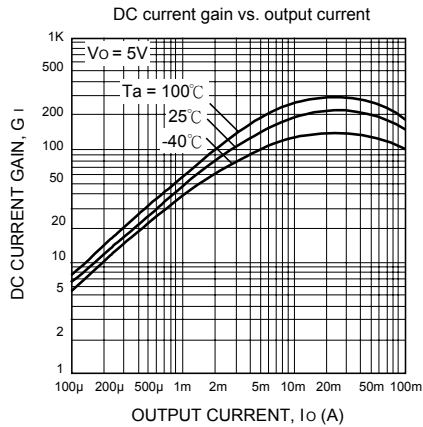
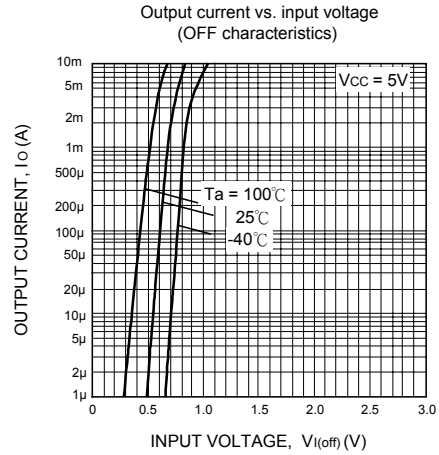
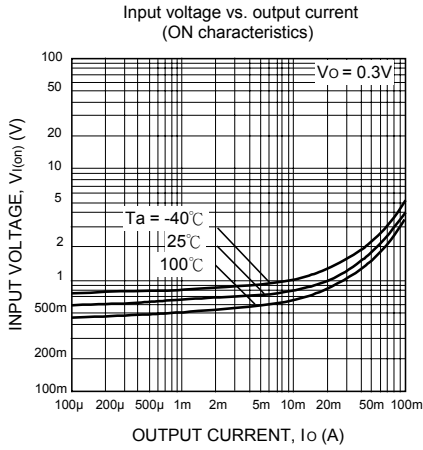
PARAMETER	SYMBOL	RATINGS	UNIT
Supply voltage	Vcc	50	V
Input voltage	VIN	-5 ~ +12	V
Output current	Io	100	mA
	Ic (Max.)	100	
Power Dissipation	Pd	300	mW
Junction temperature	Tj	150	°C
Storage temperature	Tstg	-55 ~ +150	°C

ELECTRICAL CHARACTERISTICS (Ta = 25°C)

PARAMETER	SYMBOL	TEST CONDITIONS	MIN	TYP	MAX	UNIT
Input voltage	VI (off)	Vcc=5V, Io=100 μA			0.5	V
	VI (on)	Vo=0.3V, Io=5mA	1.1			
Output voltage	VO (on)	Io/Ii=5mA/0.25mA		0.1	0.3	V
Input current	Ii	VI=5V			3.6	mA
Output current	Io (off)	Vcc=50V, VI=0V			0.5	μA
DC current gain	GI	Vo=5V, Io=10mA	80			
Input resistance	R1		1.54	2.2	2.86	KΩ
Resistance ratio	R2/R1		17	21	26	
Transition frequency	fT	VCE=10V, IE=-5mA, f=100MHz *		250		MHz

* Transition frequency of the device

ELECTRICAL CHARACTERISTIC CURVES



UTC assumes no responsibility for equipment failures that result from using products at values that exceed, even momentarily, rated values (such as maximum ratings, operating condition ranges, or other parameters) listed in products specifications of any and all UTC products described or contained herein. UTC products are not designed for use in life support appliances, devices or systems where malfunction of these products can be reasonably expected to result in personal injury. Reproduction in whole or in part is prohibited without the prior written consent of the copyright owner. The information presented in this document does not form part of any quotation or contract, is believed to be accurate and reliable and may be changed without notice.