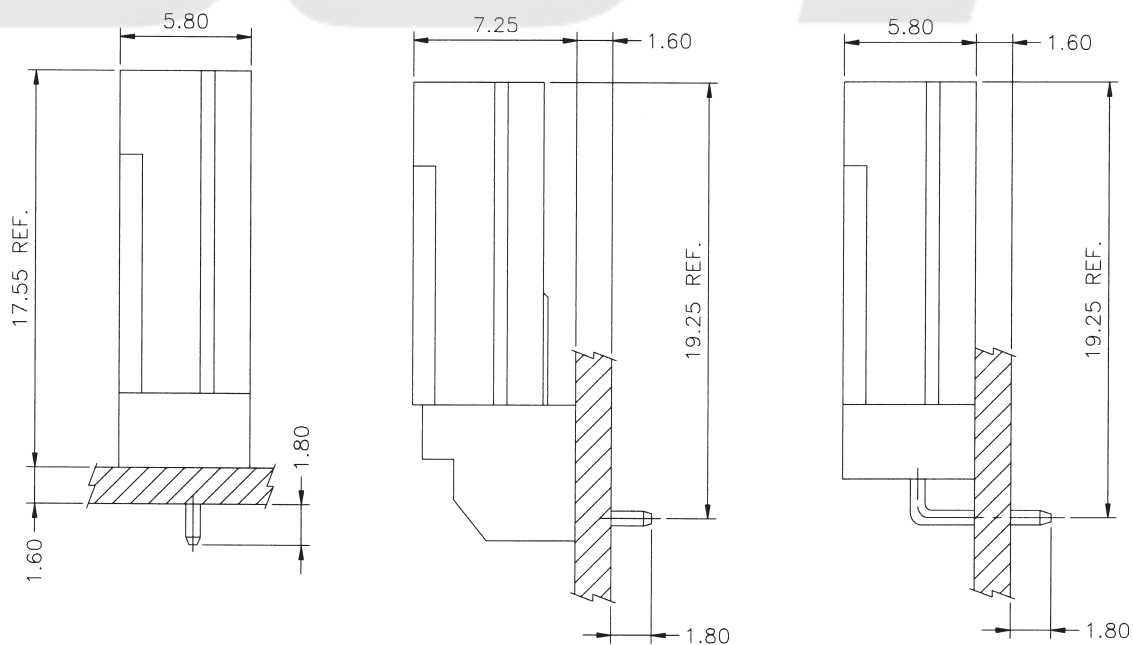


Specifications

- Current rating: 3A AC,DC
- Voltage rating: 250V AC,DC
- Temperature range: -25°C ~ +85°C
- Contact resistance: 10mΩ Max.
- Insulation resistance: 500MΩ Min.
- Withstanding voltage: 800V AC/minute

Assembly layout

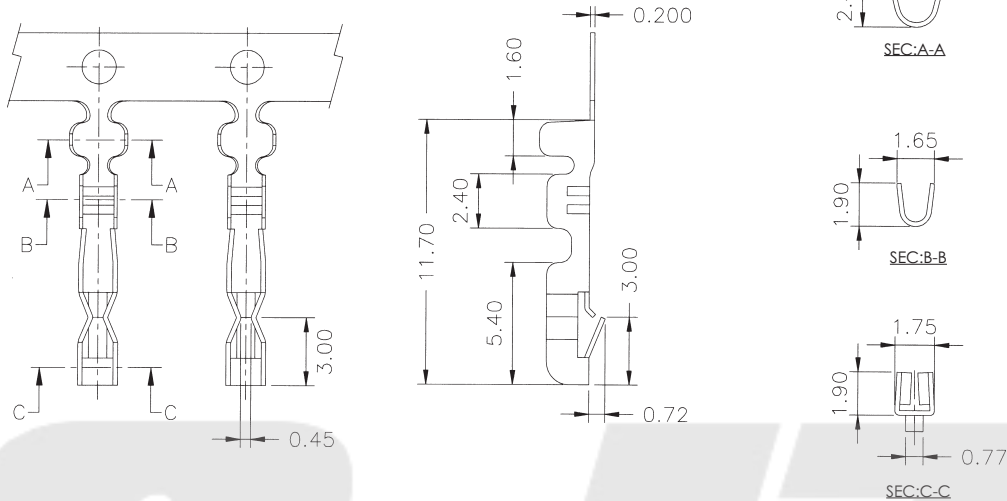


A2544-T — 2.50mm pitch Crimp Terminal

Reference Informations:

*Used in CJT A2544 series Housing

*Tolerance:(unit:mm) .0 ±0.25/ .00 ±0.15/ .000 ±0.10



Ordering Information & Specifications:

Unit:mm

Part No.	Wire Range	Insulation O.D.	Material	Finish	Qty/reel
A2544-TB	AWG#20-#26	1.90mm(max)	Brass	Tin-plated	10,000pcs

A2544H — 2.50mm pitch Housing

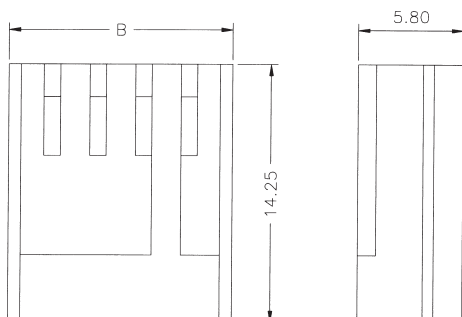
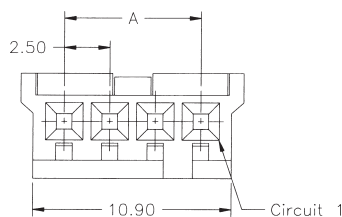
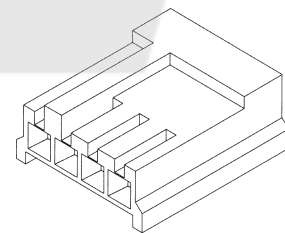
Reference Informations:

*Material: Nylon 66,UL94V-0

*Suitable CJT A2544 series Terminal

*Mates with CJT A2544 series Wafer

*Tolerance:(unit:mm) .0 ±0.25/ .00 ±0.15/ .000 ±0.10



Ordering Information & Dimensions:

PART NO.	Dimensions	
	A	B
A2544H-2P	2.50	7.25
A2544H-3P	5.00	9.75
A2544H-4P	7.50	12.25
A2544H-5P	10.00	14.75
A2544H-6P	12.50	17.25
A2544H-7P	15.00	19.75
A2544H-8P	17.50	22.25
A2544H-9P	20.00	24.75
A2544H-10P	22.50	27.25
A2544H-11P	25.00	29.75
A2544H-12P	27.50	32.25

Unit:mm

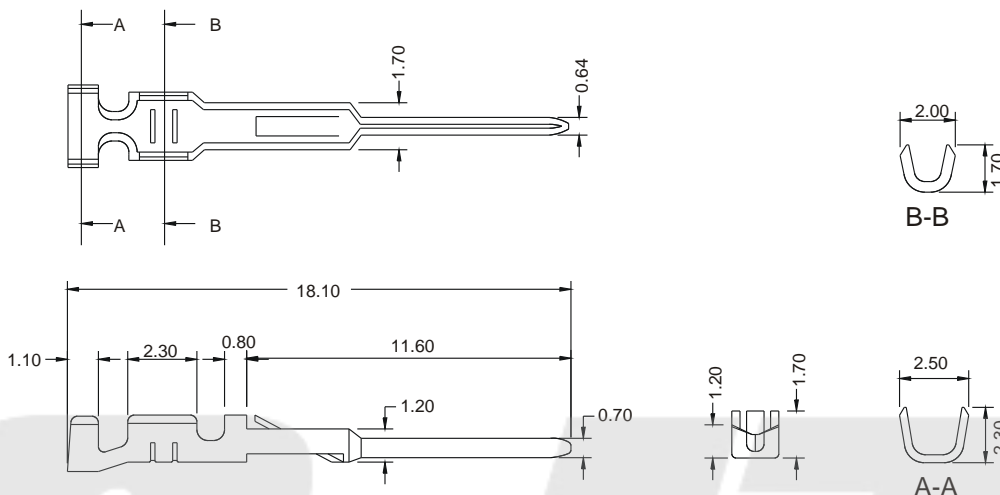
A2544M-T

2.50mm pitch Crimp Terminal

Reference Informations:

*Used in CJT A2544HM series Housing

*Tolerance:(unit:mm) .0 ±0.25/ .00 ±0.15/ .000 ±0.10



Ordering Information & Specifications:

Unit:mm

Part No.	Wire Range	Insulation O.D.	Material	Finish	Qty/reel
A2544M-TB	AWG#20-#26	1.90mm(max)	Brass	Tin-plated	10,000pcs

A2544HM-4P

2.50mm pitch Housing

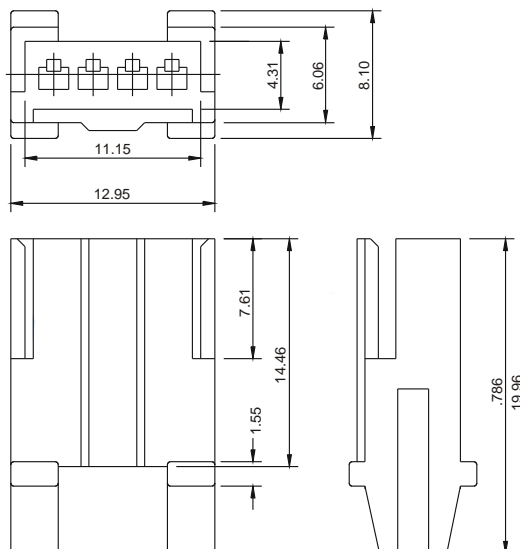
Reference Informations:

*Material: Nylon 66,UL94V-0

*Suitable CJT A2544M series Terminal

*Mates with CJT A2544 series Housing

*Tolerance:(unit:mm) .0 ±0.25/ .00 ±0.15/ .000 ±0.10



A2544WV — 2.50mm pitch 180° Wafer

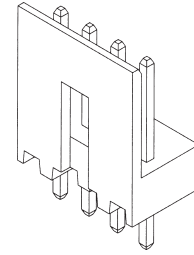
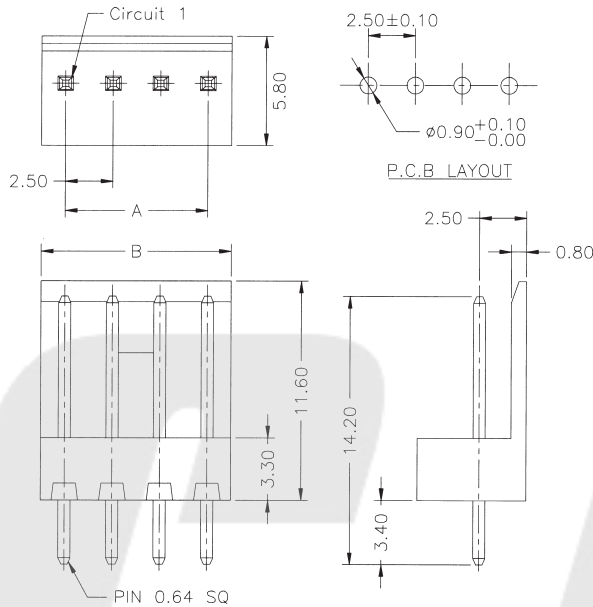
Reference Informations:

*Material: Pin: Brass/Tin-plated

Wafer: Nylon 66,UL94V-0

*Mates with CJT A2544 series Housing

*Tolerance:(unit:mm) .0 ±0.25/ .00 ±0.15/ .000 ±0.10



Ordering Information & Dimensions:

PART NO.	Dimensions	
	A	B
A2544WV-2P	2.50	5.00
A2544WV-3P	5.00	7.50
A2544WV-4P	7.50	10.00
A2544WV-5P	10.00	12.50
A2544WV-6P	12.50	15.00
A2544WV-7P	15.00	17.50
A2544WV-8P	17.50	20.00
A2544WV-9P	20.00	22.50
A2544WV-10P	22.50	25.00
A2544WV-11P	25.00	27.50
A2544WV-12P	27.50	30.00

Unit:mm

A2544WR — 2.50mm pitch 90° Wafer

Reference Informations:

*Material: Pin: Brass/Tin-plated

Wafer: Nylon 66,UL94V-0

*Mates with CJT A2544 series Housing

*Tolerance:(unit:mm) .0 ±0.25/ .00 ±0.15/ .000 ±0.10

Ordering Information:

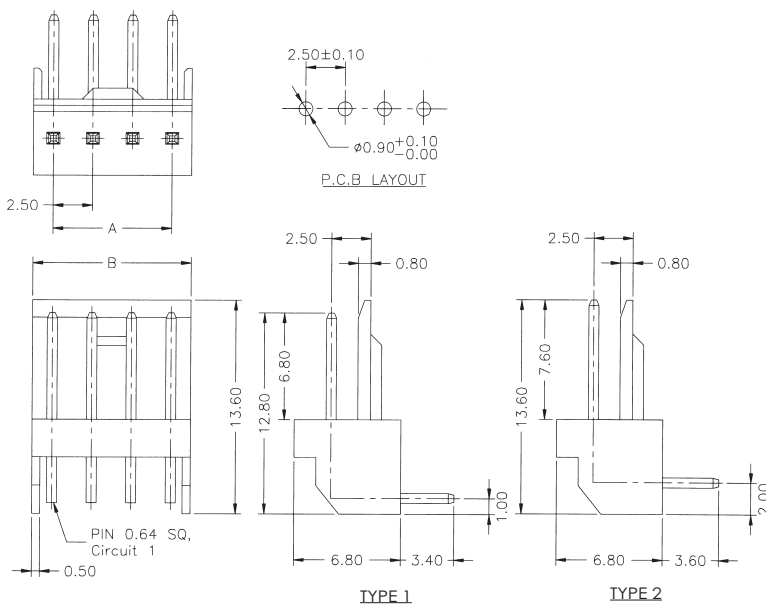
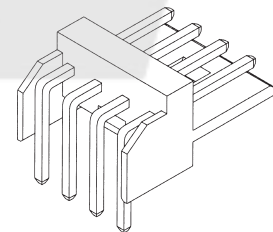
A2544WR-XP - *
1 2

1.Part No.

2.Style:

1-Type 1

2-Type 2



Ordering Information & Dimensions:

PART NO.	Dimensions	
	A	B
A2544WR-2P	2.50	5.00
A2544WR-3P	5.00	7.50
A2544WR-4P	7.50	10.00
A2544WR-5P	10.00	12.50
A2544WR-6P	12.50	15.00
A2544WR-7P	15.00	17.50
A2544WR-8P	17.50	20.00
A2544WR-9P	20.00	22.50
A2544WR-10P	22.50	25.00
A2544WR-11P	25.00	27.50
A2544WR-12P	27.50	30.00

Unit:mm

A2544WVR

2.50mm pitch 90° Wafer

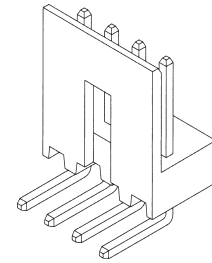
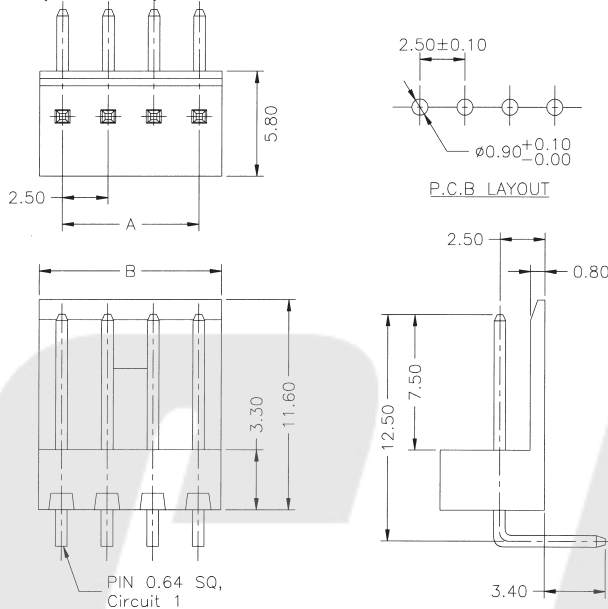
Reference Informations:

*Material: Pin: Brass/Tin-plated

Wafer: Nylon 66,UL94V-0

*Mates with CJT A2544 series Housing

*Tolerance:(unit:mm) .0 ±0.25/ .00 ±0.15/ .000 ±0.10



Ordering Information & Dimensions:

PART NO.	Dimensions	
	A	B
A2544WVR-2P	2.50	5.00
A2544WVR-3P	5.00	7.50
A2544WVR-4P	7.50	10.00
A2544WVR-5P	10.00	12.50
A2544WVR-6P	12.50	15.00
A2544WVR-7P	15.00	17.50
A2544WVR-8P	17.50	20.00
A2544WVR-9P	20.00	22.50
A2544WVR-10P	22.50	25.00
A2544WVR-11P	25.00	27.50
A2544WVR-12P	27.50	30.00

Unit:mm

A2544WVA

2.50mm pitch 180° Wafer

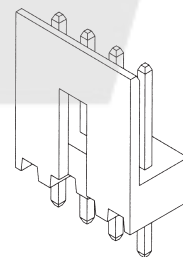
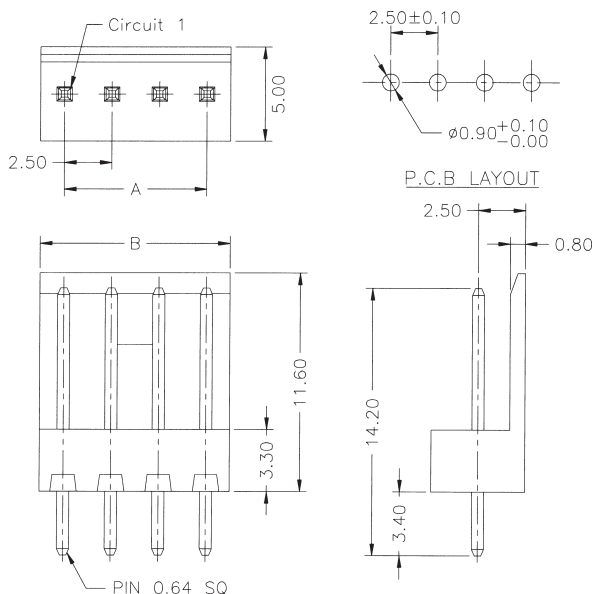
Reference Informations:

*Material: Pin: Brass/Tin-plated

Wafer: Nylon 66,UL94V-0

*Mates with CJT A2544 series Housing

*Tolerance:(unit:mm) .0 ±0.25/ .00 ±0.15/ .000 ±0.10



Ordering Information & Dimensions:

PART NO.	Dimensions	
	A	B
A2544WVA-2P	2.50	5.00
A2544WVA-3P	5.00	7.50
A2544WVA-4P	7.50	10.00
A2544WVA-5P	10.00	12.50
A2544WVA-6P	12.50	15.00
A2544WVA-7P	15.00	17.50
A2544WVA-8P	17.50	20.00
A2544WVA-9P	20.00	22.50
A2544WVA-10P	22.50	25.00
A2544WVA-11P	25.00	27.50
A2544WVA-12P	27.50	30.00

Unit:mm

A2544WVB-4P — 2.50mm pitch 180° Wafer

Reference Informations:

*Material: Pin: Brass/Tin-plated

Wafer: Nylon 66,UL94V-0

*Mates with CJT A2544 series Housing

*Tolerance:(unit:mm) .0 ±0.25/ .00 ±0.15/ .000 ±0.10

