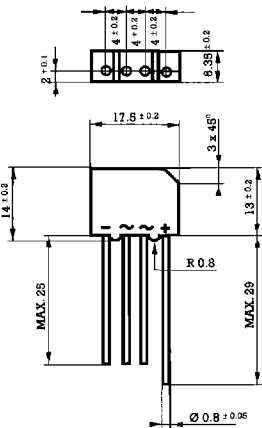



2 Amp. Glass Passivated Single-Phase Bridge Rectifiers

<p>Dimensions in mm.</p>  <p>Top view dimensions: 4 ± 0.05, 4 ± 0.05, 4 ± 0.05, 4 ± 0.05, 8.28 ± 0.2, 2 ± 0.1.</p> <p>Side view dimensions: 17.5 ± 0.2, 3 ± 0.45, 14 ± 0.2, 13 ± 0.2, MAX. 2.9, R 0.8, MAX. 2.9, Ø 0.8 ± 0.06.</p>	<p>Voltage 50 to 1.000 V.</p> <p>Current 2 A.</p> 
	<ul style="list-style-type: none"> • Glass Passivated Junction • UL recognized under component index file number E130180 • Lead and polarity identifications • Terminals: Radial leads • Ideal for printed circuit board (P.C.B.) • Case: Molded Plastic • The plastic material carries U/L recognition 94 V-0

Maximum Ratings, in accordance with IEC publication No. 134

		2FBP 005	2FBP 01	2FBP 02	2FBP 04	2FBP 06	2FBP 08	2FBP 10
V_{RRM}	Peak recurrent reverse voltage (V)	50	100	200	400	600	800	1000
$I_{F(AV)}$	Forward current at $T_{amb} = 50\text{ }^{\circ}\text{C}$	2 A						
I_{FSM}	8.3 ms. peak forward surge current (Jedec Method)	60 A						
T_j	Max. operating temperature range	+ 150 °C						
T_{stg}	Storage temperature range	- 55 to + 150 °C						

Electrical Characteristics at $T_{amb} = 25\text{ }^{\circ}\text{C}$

V_F	Max. forward voltage drop per element at $I_F = 2\text{ A}$	1.1 V
I_R	Max. reverse current per element at V_{RRM}	10 μA

Characteristic Curves

