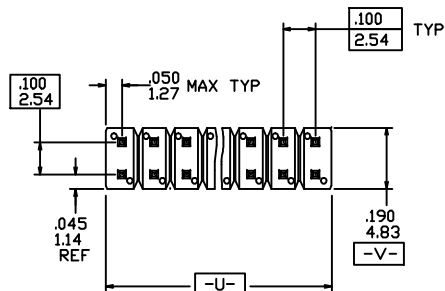


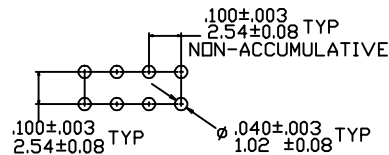
Product Number

XXXXX-YYYXLF

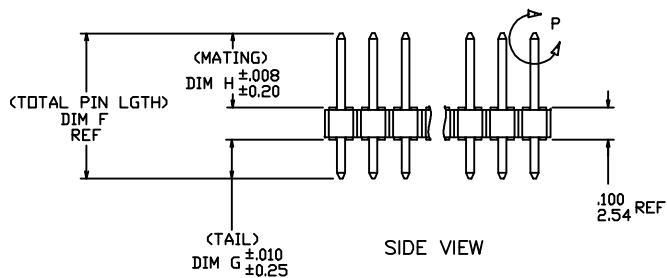
- LEAD FREE OPTION
NOTE 11 & 12
- TUBE PACKAGING OPTION
SEE NOTE 8 & 9
- NO. OF POSITIONS
SEE NOTE 4
- PLATING NUMBER
SEE SHEET 2
- BASE PART NO.



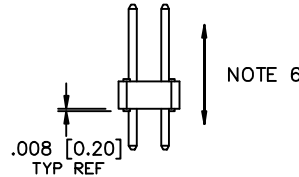
TOP VIEW



RECOMMENDED HOLE PATTERN



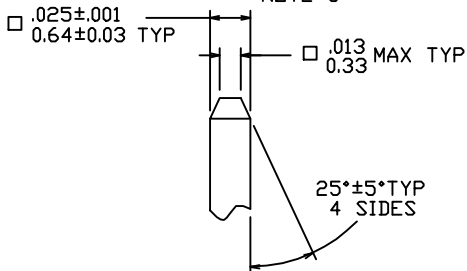
SIDE VIEW



END VIEW

NOTE 6

⊕ ⌀ .020/0.51 (M) U (M) V (S)
NOTE 5



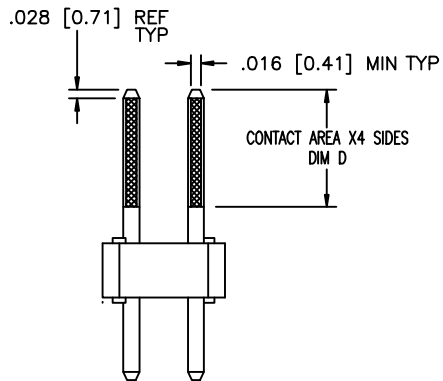
DETAIL P
TYP BOTH ENDS

mat'l. code				surface ISO 902	tolerance ISO 406 ISO 7001	projection ISO 1001	product family BERGSTIK
ltr	ecn no	dr	date	tolerances unless otherwise specified		INCH/MM	title
A	v03-0962	DAI	8/28/03	angles	XXX.01/XXX.03		BERGSTIK® II HDR. DUPLEX SPECIAL
B	M05-0118	ERE	6/02/05	linear	XXX±.006/XXX±0.13	scale 2:1	.100/2.54cc DR STRAIGHT
C	M06-0271	AGS	7/14/06	0'±2'	XXX±.0020/XXX±0.051		dwg no
D	M06-0346	MHT	9/04/06	dr	D. INGRAM	8/28/03	sheet 1 of 3 size
E	M08-0279	MHT	9/30/08	engr	H. SUNDY	8/28/03	10007367
				chr	H. SUNDY	8/28/03	A3
				appd	H. SUNDY	8/28/03	type
sheet	revision	E	E	E			Product Customer Drawing
index	sheet	1	2	3			

PLATING NUMBER	Contact Area "Dim D" (NOTE 3)
XXXXX-1YY	30u"/0.76u Au OVER 50u"/1.27u Ni
XXXXX-2YY	15u"/0.38u Au OVER 50u"/1.27u Ni

NOTES

- ① .BODY MATERIAL: GLASS FIBER REINFORCED PCT FLAME RETARDENT PER UL-94V-O. COLOR: BLACK.
OR
MINERAL FILLED LCP FLAME RETARDENT PER UL-94V-O. COLOR: BLACK.
- ② PIN MATERIAL: PHOS-BRONZE.
- ③ FINISH:
CONTACT AREA: SEE TABLE
SOLDER TAIL: 100u"/2.54u TIN OVER 50u"/1.27u Ni
LEAD FREE OPTION:
SOLDER TAIL: 100u"/2.54u TIN OVER 50u"/1.27u Ni
- ④ ANY NUMBER OF POSITIONS FROM 2 (2X1) THRU 72 (2X36).
- ⑤ MEASURED WITH PART IN RESTRAINED CONDITION.
- ⑥ 2LBS/0.9KG MIN PIN RETENTION IN EITHER DIRECTION.
7. PACKAGED IN POLY BAGS.
- ⑧ EIGHT DIGIT PART NUMBERS FOLLOWED BY A "T" ARE PACKAGED IN TUBES WITHOUT PICK-UP CAPS, SEE SPECIFIC PART NUMBERS FOR AVAILABILITY.
- ⑨ EIGHT DIGIT PART NUMBERS FOLLOWED BY A "P" ARE PACKAGED IN TUBES WITH PICK-UP CAPS APPLIED.
10. VACUUM CAP MATERIAL: LCP, COLOR BLACK
VACUUM CAP TO BE CENTERALLY LOCATED ON ASSEMBLY REGARDLESS OF PART SIZE WHEN REQUIRED.
- ⑩ . ADD "LF" SUFFIX AT THE END OF PART NUMBER FOR LEAD FREE OPTION.
- ⑪ . THIS PRODUCT MEETS EUROPEAN UNION DIRECTIVES AND OTHER COUNTRY REGULATION AS DESCRIBED IN GS-22-008.
13. THE HOUSING WILL WITHSTAND EXPOSURE TO 260°C PEAK TEMPERATURE FOR 20 SECONDS IN A CONVECTION, INFRA-RED OR VAPOR PHASE REFLOW OVEN. OR FOR FOR 15 SECONDS IN A WAVE SOLDER APPLICATION WITH A 1.5mm MINIMUM THICK CIRCUIT BOARD. SEE APPLICATION NOTES/PROCEDURES IF THEY ARE AVAILABLE.



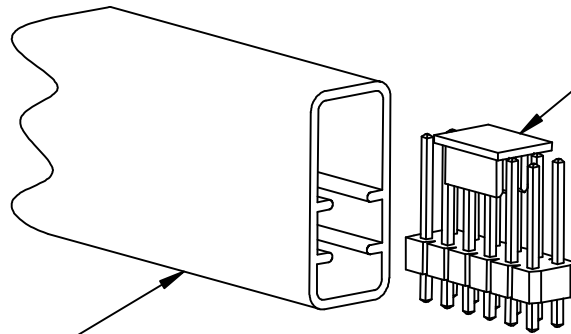
END VIEW



Copyright FCI

mat'l. code		surface ISO 902		tolerance ISO 406 ISO 7001		projection 		product family BERGSTIK	
ltr	ecn no	dr	date	tolerances unless otherwise specified					
E				angles	linear	Xxx.01/Xxx.03 XXX±.005/XXX±0.13		INCH/MM	
				0'±2'		XXX±.0020/XXX±0.05		scale 2:1	
		dr	D. INGRAM	8/28/03					
		engr	H. SUNDY	8/28/03					
		chr	H. SUNDY	8/28/03					
		appd	H. SUNDY	8/28/03					
sheet	revision	dwg no							
index	sheet	10007367							
		sheet 2 of 3 size A3							
		type Product Customer Drawing							

PRODUCT NO.	TOTAL PIN LENGTH		TAIL LENGTH		MATING LENGTH		CONTACT AREA		PACKAGING
	DIM F	DIM F	DIM G	DIM G	DIM H	DIM H	DIM D	DIM D	
	ENGLISH	METRIC	ENGLISH	METRIC	ENGLISH	METRIC	ENGLISH	METRIC	
10007367-XYX	0.525	13.34	0.100	2.54	0.325	8.26	0.273	6.93	NOTE 7, 8, 9
10007367-XYLF	0.525	13.34	0.100	2.54	0.325	8.26	0.273	6.93	NOTE 7, 8, 9



WITH OR WITHOUT
VACUUM CAP

PACKAGING TUBE

BERGSTIK
ASSEMBLY

FOR TUBE PACKAGING SEE NOTE 8 OR 9

mat'l. code				surface ISO 1302		tolerance ISO 406 ISO 7001		projection 		product family BERGSTIK	
ltr	ecn no	dr	date	tolerances unless otherwise specified							
E				angles		linear		INCH/MM		title BERGSTIK® II HDR. DUPLEX SPECIAL .100/2.54cc DR STRAIGHT	
				0° ± 2'		.XXX ± .01 / .XXX ± .03 .XXX ± .005 / .XXX ± .013 .XXX ± .0020 / .XXX ± .005		scale 2:1		dwg no 10007367	
				dr	D. INGRAM	8/28/03			sheet 3 of 3		size A3
				engr	H. SUNDY	8/28/03			type Product Customer Drawing		
				chr	H. SUNDY	8/28/03					
				appd	H. SUNDY	8/28/03					
sheet	revision										
index	sheet										



Copyright FCJ