

SPECIFICATIONS

Friction Header Connector

Mechanical

Contact Retention Force: 2.0 KGF Min
Durability: 500 Cycles

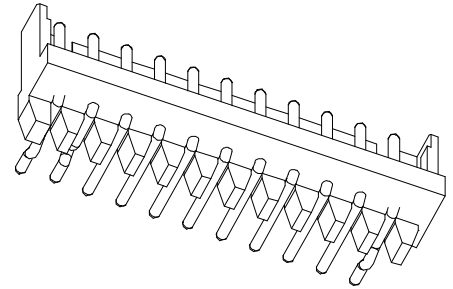
HF59 Series
Friction R/A Type
2.00mm [.079"] Pitch

Electrical

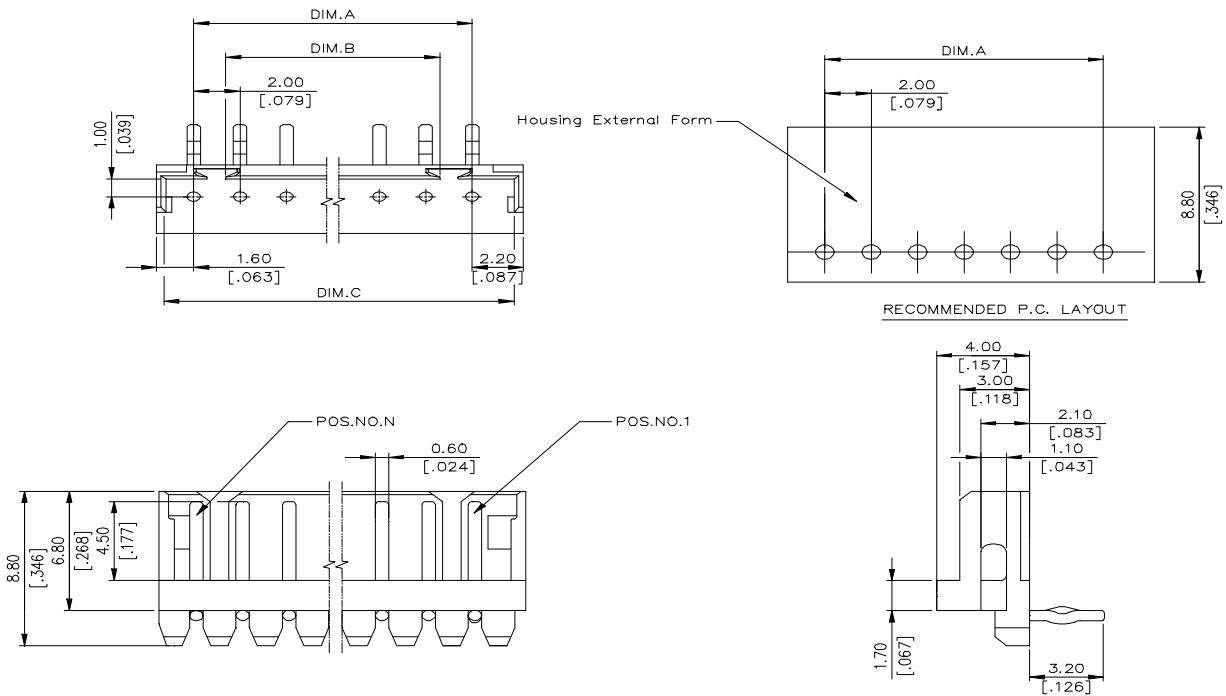
Voltage Rating: 800V
Current Rating: 3.5A per pin min
Insulation Resistance: 1000MW min

Physical

Housing: Thermoplastic, Glass Filled, UL94V-0 Rating
Contact: Copper Alloy
Plating: See "ORDERING INFORMATION"
Operating Temperature: -40 to +105



DRAWING



ORDERING INFORMATION

PRODUCT NO.: HF59***-*

Header
 High Friction Header
 Termination & Contact Type
 No. Of Pos
 2=2 Pos
 3=3 Pos
 ⋮
 16=16 Pos

Optional For Housing Color
 NONE:NO KINK
 K:FOR 2~4 POS. ALL PINS ARE KINKED.
 FOR 5~16 POS. THE 1ST 2ND,N & N-1 PIECES OF TERMINALS ARE KINKED.

Optional For Plating
 0=100u" Tin/Lead
 E=100u" min. Tin with Lead free "RoHS Compliance"

HF5916*-*	16	33.00 [1.300]	27.20 [1.083]	30.00 [1.181]
HF5915*-*	15	31.00 [1.221]	25.20 [.992]	28.00 [1.103]
HF5914*-*	14	29.00 [1.142]	23.20 [.913]	26.00 [1.024]
HF5913*-*	13	27.00 [1.064]	21.20 [.835]	24.00 [.945]
HF5912*-*	12	25.00 [.985]	19.20 [.756]	22.00 [.867]
HF5911*-*	11	23.00 [.906]	17.20 [.677]	20.00 [.788]
HF5910*-*	10	21.00 [.827]	15.20 [.598]	18.00 [.709]
HF5909*-*	9	19.00 [.748]	13.20 [.520]	16.00 [.63]
HF5908*-*	8	17.00 [.67]	11.20 [.441]	14.00 [.552]
HF5907*-*	7	15.00 [.591]	9.20 [.362]	12.00 [.473]
HF5906*-*	6	13.00 [.512]	7.20 [.283]	10.00 [.394]
HF5905*-*	5	11.00 [.433]	5.20 [.205]	8.00 [.315]
HF5904*-*	4	9.00 [.355]	3.20 [.126]	6.00 [.236]
HF5903*-*	3	7.00 [.276]	/	4.00 [.158]
HF5902*-*	2	5.00 [.197]	/	2.00 [.079]
P/N	POS.	DIM. A	DIM. B	DIM. C