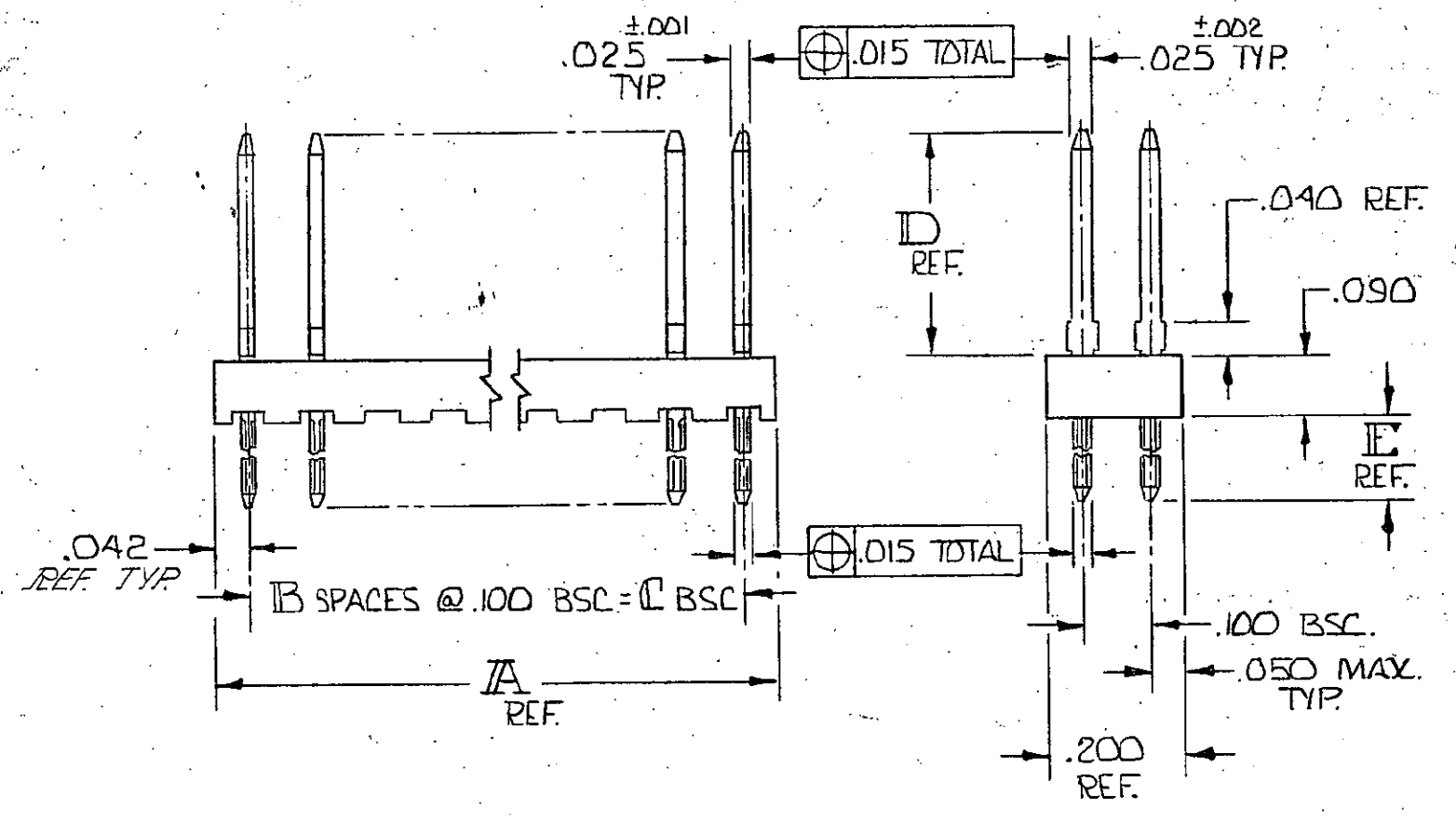
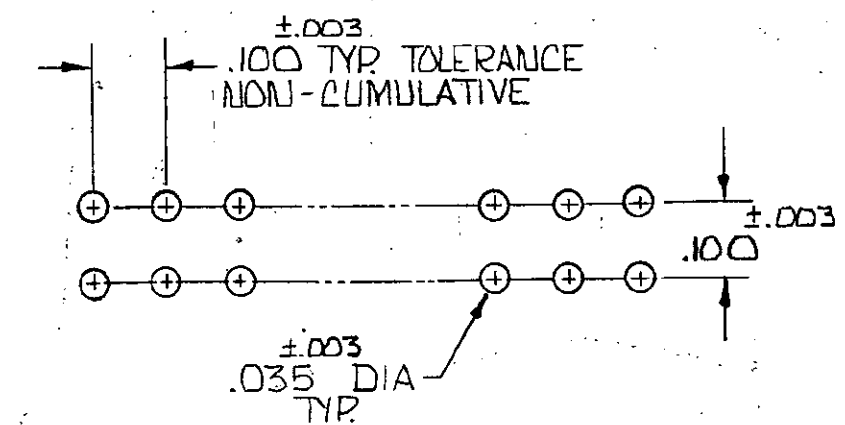


© COPYRIGHT 1975, 81 BY AMP INCORPORATED, HARRISBURG, PA.  
 ALL INTERNATIONAL RIGHTS RESERVED. AMP INCORPORATED PRODUCTS  
 COVERED BY U. S. AND FOREIGN PATENTS AND/OR PATENTS PENDING.

REVISIONS					
REV	ZONE	LTR	DESCRIPTION	DATE	APPROVED
✓		C	REVISED PARTS TO SPARKED POSTS EEN 1480 - 01M	7-20-71	
✓		A	ADDED NOTE 1 EEN 2762	10-5-78	BAW
✓		B	REV PER EEN 3976	6-18-81	DF
✓		B	REV EEN 4237	11-16-89	SD
✓		B	REV LOC & DIST AD-4171	11-27-89	BF
✓		C	REV PER AD-5159	7-15-91	RF
✓		D	REV PER AD-6037	12-30-91	RF
✓		E	REV PER 0010-1355-93	1-25-94	JK
✓		F	EC, 0010-1362-93	9/25/95	TH



1. TRUE POSITION TOLERANCE OF POST TIPS APPLIES WHEN HEADERS ARE HELD FLAT AGAINST PRINTED CIRCUIT BOARD.  
 △ OBSOLETE PART NUMBER



RECOMMENDED HOLE LAYOUT

	.125	.318	3.900	39	3.984	80	4-87543-0
			3.800	38	3.884	78	3-△ -9
			3.700	37	3.784	76	3-△ -8
			3.600	36	3.684	74	3-△ -7
			3.500	35	3.584	72	3-△ -6
SUPERSEDED BY 3-103322-5			3.400	34	3.484	70	3- -5
			3.300	33	3.384	68	3-△ -4
SUPERSEDED BY 3-103322-2			3.200	32	3.284	66	3-△ -3
			3.000	30	3.084	62	3-△ -1
SUPERSEDED BY 3-103322-0	.125	.318	2.900	29	2.984	60	3-87543-0
SUPERSEDED BY 2-103322-5			2.800	28	2.884	58	2- -9
			2.700	27	2.784	56	2-△ -8
			2.600	26	2.684	54	2-△ -7
			2.500	25	2.584	52	2-△ -6
			2.400	24	2.484	50	2- -5
			2.300	23	2.384	48	2-△ -4
			2.200	22	2.284	46	2-△ -3
			2.100	21	2.184	44	2-△ -2
SUPERSEDED BY 2-103322-1			2.000	20	2.084	42	2- -1
	.125	.318	1.900	19	1.984	40	2-87543-0
			1.800	18	1.884	38	1-△ -9
			1.700	17	1.784	36	1-△ -8
			1.600	16	1.684	34	1- -7
SUPERSEDED BY 1-103322-6			1.500	15	1.584	32	1- -6
			1.400	14	1.484	30	1- -5
SUPERSEDED BY 1-103322-4			1.300	13	1.384	28	1- -4
			1.200	12	1.284	26	1- -3
SUPERSEDED BY 1-103322-2			1.100	11	1.184	24	1- -2
			1.000	10	1.084	22	1- -1
	.125	.318	.900	9	.984	20	1-87543-0
SUPERSEDED BY 103322-9			.800	8	.884	18	-9
			.700	7	.784	16	-8
			.600	6	.684	14	-7
			.500	5	.584	12	-6
			.400	4	.484	10	-5
			.300	3	.384	8	-4
			.200	2	.284	6	-3
SUPERSEDED BY 103322-2			.100	1	.184	4	-2
	.125	.318	-	-	.084	2	87543-1

UNLESS OTHERWISE SPECIFIED DIMENSIONS ARE IN INCHES. TOLERANCES ON: DECIMALS ±.005 ANGLES ±	CONTRACT NO	AMP INCORPORATED Harrisburg, Pa.
	DR <i>D. W. Jones</i> 9/4/75	
MATERIAL HSG. - GLASS FILLED NYLON COLOR: BLACK CONTACT - PHOS. BRONZE	CHK <i>D. W. Jones</i> 9-4-75	SIZE CODE IDENT NO DRAWING NO C 00779 87543
FINISH CONTACT 000100 - 000200 BRIGHT TIN-LEAD OVER 000050 NICKEL	APPD <i>Bennett</i> 9/14/75	SCALE
	APPD <i>C. L. Sosinski</i> 9/16/75	SHEET 1 of 1
	DSGN APPD	
	OTHER APPD	