



3.3V CMOS 16-BIT BUFFER/DRIVER WITH 3-STATE OUTPUTS

IDT74ALVC162244

FEATURES:

- 0.5 MICRON CMOS Technology
- Typical $t_{sk(o)}$ (Output Skew) < 250ps
- ESD > 2000V per MIL-STD-883, Method 3015; > 200V using machine model (C = 200pF, R = 0)
- $V_{cc} = 3.3V \pm 0.3V$, Normal Range
- $V_{cc} = 2.7V$ to $3.6V$, Extended Range
- $V_{cc} = 2.5V \pm 0.2V$
- CMOS power levels (0.4 μ W typ. static)
- Rail-to-Rail output swing for increased noise margin
- Available in TSSOP package

DRIVE FEATURES:

- Balanced Output Drivers: $\pm 12mA$
- Low switching noise

DESCRIPTION:

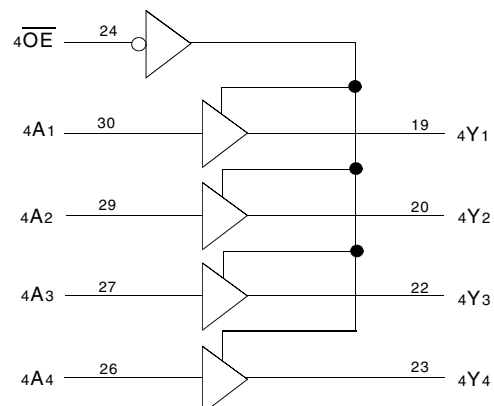
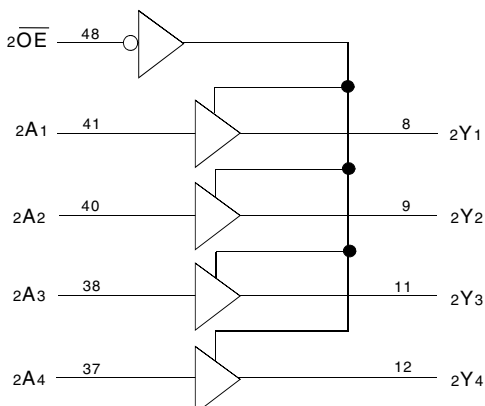
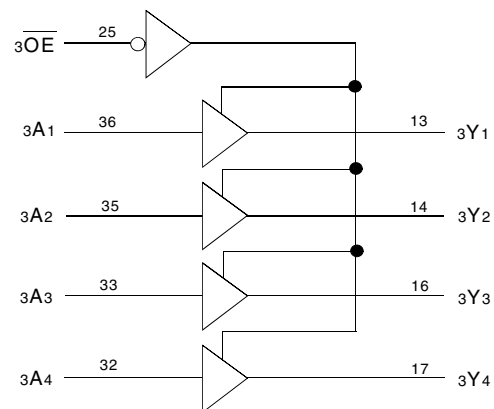
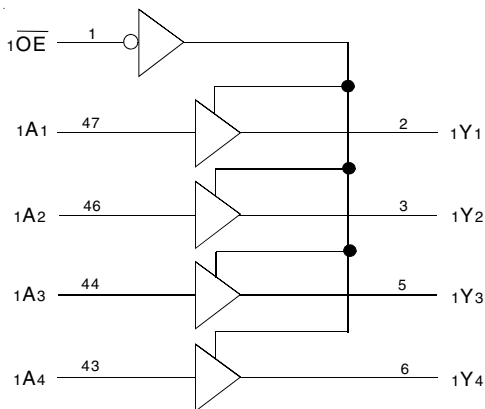
This 16-bit buffer/driver is built using advanced dual metal CMOS technology. The ALVC162244 is designed specifically to improve the performance and density of 3-state memory address drivers, clock drivers, and bus-oriented receivers and transmitters. The device can be used as four 4-bit buffers, two 8-bit buffers, or one 16-bit buffer. It provides true outputs and symmetrical active-low output-enable (\overline{OE}) inputs.

The ALVC162244 has series resistors in the device output structure which will significantly reduce line noise when used with light loads. This driver has been designed to drive $\pm 12mA$ at the designated threshold levels.

APPLICATIONS:

- 3.3V high speed systems
- 3.3V and lower voltage computing systems

FUNCTIONAL BLOCK DIAGRAM

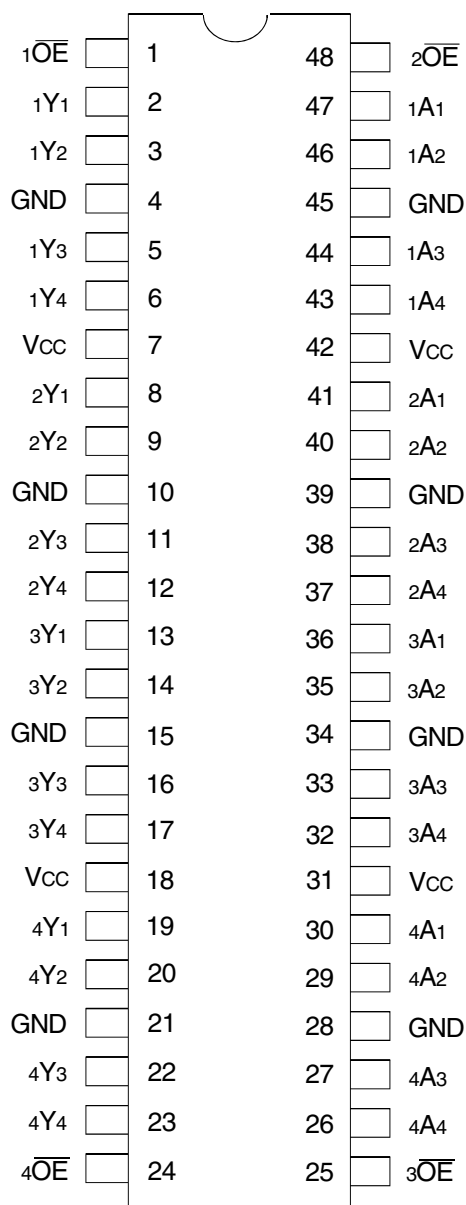


The IDT logo is a registered trademark of Integrated Device Technology, Inc.

INDUSTRIAL TEMPERATURE RANGE

MAY 2006

PIN CONFIGURATION



TSSOP
TOP VIEW

ABSOLUTE MAXIMUM RATINGS⁽¹⁾

| Symbol | Description | Max | Unit |
|------------------------------------|--|------------------------------|------|
| V _{TERM} ⁽²⁾ | Terminal Voltage with Respect to GND | -0.5 to +4.6 | V |
| V _{TERM} ⁽³⁾ | Terminal Voltage with Respect to GND | -0.5 to V _{CC} +0.5 | V |
| T _{STG} | Storage Temperature | -65 to +150 | °C |
| I _{OUT} | DC Output Current | -50 to +50 | mA |
| I _{IK} | Continuous Clamp Current, V _I < 0 or V _I > V _{CC} | ±50 | mA |
| I _{OK} | Continuous Clamp Current, V _O < 0 | -50 | mA |
| I _{CC} I _{SS} | Continuous Current through each V _{CC} or GND | ±100 | mA |

NOTES:

- Stresses greater than those listed under ABSOLUTE MAXIMUM RATINGS may cause permanent damage to the device. This is a stress rating only and functional operation of the device at these or any other conditions above those indicated in the operational sections of this specification is not implied. Exposure to absolute maximum rating conditions for extended periods may affect reliability.
- V_{CC} terminals.
- All terminals except V_{CC}.

CAPACITANCE (T_A = +25°C, F = 1.0MHz)

| Symbol | Parameter ⁽¹⁾ | Conditions | Typ. | Max. | Unit |
|------------------|--------------------------|-----------------------|------|------|------|
| C _{IN} | Input Capacitance | V _{IN} = 0V | 5 | 7 | pF |
| C _{OUT} | Output Capacitance | V _{OUT} = 0V | 7 | 9 | pF |
| C _{OUT} | I/O Port Capacitance | V _{IN} = 0V | 7 | 9 | pF |

NOTE:

- As applicable to the device type.

PIN DESCRIPTION

| Pin Names | Description |
|-------------------|---|
| x \overline{OE} | 3-State Output Enable Inputs (Active LOW) |
| xAx | Data Inputs |
| xYx | 3-State Outputs |

FUNCTION TABLE (EACH 4-BIT BUFFER)⁽¹⁾

| Inputs | | Outputs |
|-------------------|-----|---------|
| x \overline{OE} | xAx | xYx |
| L | H | H |
| L | L | L |
| H | X | Z |

NOTE:

- H = HIGH Voltage Level
X = Don't Care
L = LOW Voltage Level
Z = High-Impedance

DC ELECTRICAL CHARACTERISTICS OVER OPERATING RANGE

Following Conditions Apply Unless Otherwise Specified:

Operating Condition: $T_A = -40^{\circ}\text{C}$ to $+85^{\circ}\text{C}$

| Symbol | Parameter | Test Conditions | | Min. | Typ. ⁽¹⁾ | Max. | Unit |
|------------------|--|---|----------------------------------|------|---------------------|------|------|
| V _{IH} | Input HIGH Voltage Level | V _{CC} = 2.3V to 2.7V | | 1.7 | — | — | V |
| | | V _{CC} = 2.7V to 3.6V | | 2 | — | — | |
| V _{IL} | Input LOW Voltage Level | V _{CC} = 2.3V to 2.7V | | — | — | 0.7 | V |
| | | V _{CC} = 2.7V to 3.6V | | — | — | 0.8 | |
| I _{IH} | Input HIGH Current | V _{CC} = 3.6V | V _I = V _{CC} | — | — | ±5 | μA |
| I _{IL} | Input LOW Current | V _{CC} = 3.6V | V _I = GND | — | — | ±5 | μA |
| I _{OZH} | High Impedance Output Current (3-State Output pins) | V _{CC} = 3.6V | V _O = V _{CC} | — | — | ±10 | μA |
| I _{OZL} | | | V _O = GND | — | — | ±10 | |
| V _{IK} | Clamp Diode Voltage | V _{CC} = 2.3V, I _{IN} = -18mA | | — | -0.7 | -1.2 | V |
| V _H | Input Hysteresis | V _{CC} = 3.3V | | — | 100 | — | mV |
| I _{CC1} | Quiescent Power Supply Current | V _{CC} = 3.6V | | — | 0.1 | 40 | μA |
| I _{CC2} | | V _{IN} = GND or V _{CC} | | | | | |
| I _{CC3} | | | | | | | |
| ΔI _{CC} | Quiescent Power Supply Current Variation | One input at V _{CC} - 0.6V, other inputs at V _{CC} or GND | | — | — | 750 | μA |

NOTE:

1. Typical values are at V_{CC} = 3.3V, +25°C ambient.

OUTPUT DRIVE CHARACTERISTICS

| Symbol | Parameter | Test Conditions ⁽¹⁾ | | Min. | Max. | Unit |
|-------------------------|---------------------|--------------------------------|--------------------------|-----------------------|------|------|
| V _{OH} | Output HIGH Voltage | V _{CC} = 2.3V to 3.6V | I _{OH} = -0.1mA | V _{CC} - 0.2 | — | V |
| | | V _{CC} = 2.3V | I _{OH} = -4mA | 1.9 | — | |
| | | | I _{OH} = -6mA | 1.7 | — | |
| | | V _{CC} = 2.7V | I _{OH} = -4mA | 2.2 | — | |
| | | | I _{OH} = -8mA | 2 | — | |
| | | V _{CC} = 3V | I _{OH} = -6mA | 2.4 | — | |
| I _{OH} = -12mA | 2 | | — | | | |
| V _{OL} | Output LOW Voltage | V _{CC} = 2.3V to 3.6V | I _{OL} = 0.1mA | — | 0.2 | V |
| | | V _{CC} = 2.3V | I _{OL} = 4mA | — | 0.4 | |
| | | | I _{OL} = 6mA | — | 0.55 | |
| | | V _{CC} = 2.7V | I _{OL} = 4mA | — | 0.4 | |
| | | | I _{OL} = 8mA | — | 0.6 | |
| | | V _{CC} = 3V | I _{OL} = 6mA | — | 0.55 | |
| I _{OL} = 12mA | — | | 0.8 | | | |

NOTE:

1. V_{IH} and V_{IL} must be within the min. or max. range shown in the DC ELECTRICAL CHARACTERISTICS OVER OPERATING RANGE table for the appropriate V_{CC} range. T_A = -40°C to +85°C.

OPERATING CHARACTERISTICS, $T_A = 25^\circ\text{C}$

| Symbol | Parameter | Test Conditions | V _{CC} = 2.5V ± 0.2V | V _{CC} = 3.3V ± 0.3V | Unit |
|--------|--|---------------------------------|-------------------------------|-------------------------------|------|
| | | | Typical | Typical | |
| CPD | Power Dissipation Capacitance Outputs enabled | C _L = 0pF, f = 10MHz | 16 | 19 | pF |
| CPD | Power Dissipation Capacitance Outputs disabled | | 4 | 5 | |

SWITCHING CHARACTERISTICS⁽¹⁾

| Symbol | Parameter | V _{CC} = 2.5V ± 0.2V | | V _{CC} = 2.7V | | V _{CC} = 3.3V ± 0.3V | | Unit |
|--------------------------------------|--|-------------------------------|------|------------------------|------|-------------------------------|------|------|
| | | Min. | Max. | Min. | Max. | Min. | Max. | |
| t _{PLH} t _{PHL} | Propagation Delay xAx to xYx | 1 | 4.9 | — | 4.7 | 1 | 4.2 | ns |
| t _{PZH} t _{PZL} | Output Enable Time x $\overline{\text{OE}}$ to xYx | 1 | 6.8 | — | 6.7 | 1 | 5.6 | ns |
| t _{PHZ} t _{PLZ} | Output Disable Time x $\overline{\text{OE}}$ to xYx | 1 | 6.3 | — | 5.7 | 1 | 5.5 | ns |
| t _{SK(0)} | Output Skew ⁽²⁾ | — | — | — | — | — | 500 | ps |

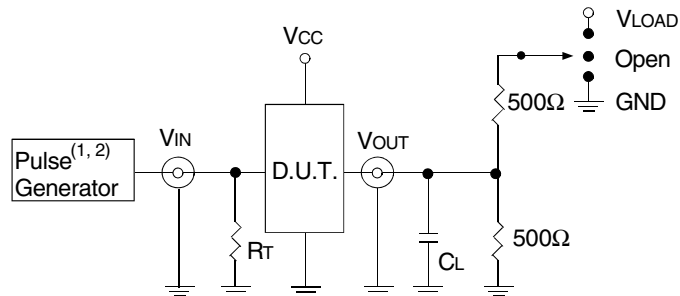
NOTES:

1. See TEST CIRCUITS AND WAVEFORMS. $T_A = -40^\circ\text{C}$ to $+85^\circ\text{C}$.
2. Skew between any two outputs of the same package and switching in the same direction.

TEST CIRCUITS AND WAVEFORMS

TEST CONDITIONS

| Symbol | V _{CC} ⁽¹⁾ = 3.3V ± 0.3V | V _{CC} ⁽¹⁾ = 2.7V | V _{CC} ⁽²⁾ = 2.5V ± 0.2V | Unit |
|-------------------|--|---------------------------------------|--|------|
| V _{LOAD} | 6 | 6 | 2 x V _{CC} | V |
| V _{IH} | 2.7 | 2.7 | V _{CC} | V |
| V _T | 1.5 | 1.5 | V _{CC} / 2 | V |
| V _{LZ} | 300 | 300 | 150 | mV |
| V _{HZ} | 300 | 300 | 150 | mV |
| C _L | 50 | 50 | 30 | pF |



Test Circuit for All Outputs

DEFINITIONS:

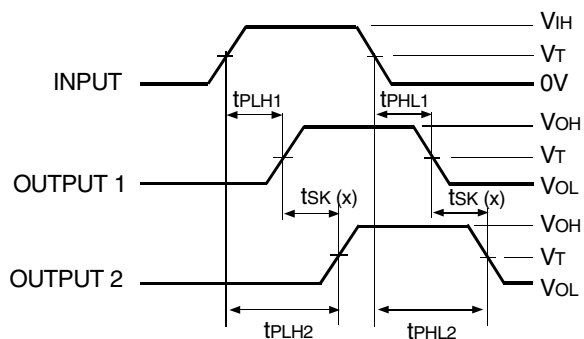
C_L = Load capacitance: includes jig and probe capacitance.
R_T = Termination resistance: should be equal to Z_{OUT} of the Pulse Generator.

NOTES:

1. Pulse Generator for All Pulses: Rate ≤ 1.0MHz; t_r ≤ 2.5ns; t_r ≤ 2.5ns.
2. Pulse Generator for All Pulses: Rate ≤ 1.0MHz; t_r ≤ 2ns; t_r ≤ 2ns.

SWITCH POSITION

| Test | Switch |
|---|-------------------|
| Open Drain Disable Low Enable Low | V _{LOAD} |
| Disable High Enable High | GND |
| All Other Tests | Open |

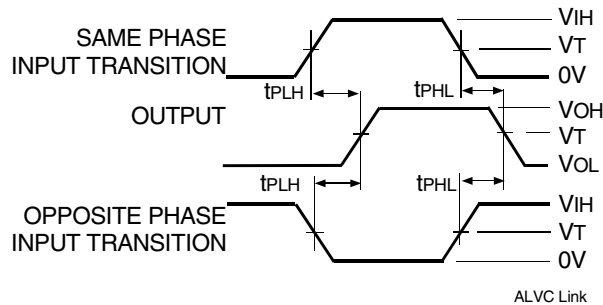


$$tsk(x) = |t_{PLH2} - t_{PLH1}| \text{ or } |t_{PHL2} - t_{PHL1}|$$

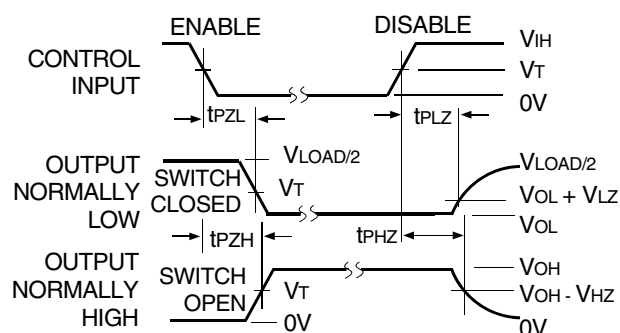
Output Skew - tsk(x)

NOTES:

1. For tsk(o) OUTPUT1 and OUTPUT2 are any two outputs.
2. For tsk(b) OUTPUT1 and OUTPUT2 are in the same bank.



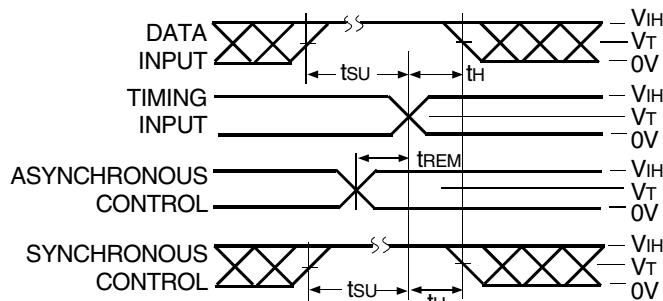
Propagation Delay



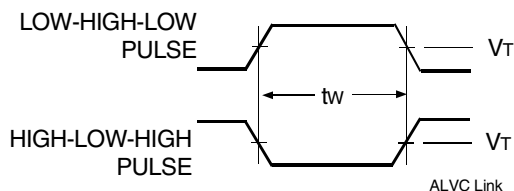
Enable and Disable Times

NOTE:

1. Diagram shown for input Control Enable-LOW and input Control Disable-HIGH.

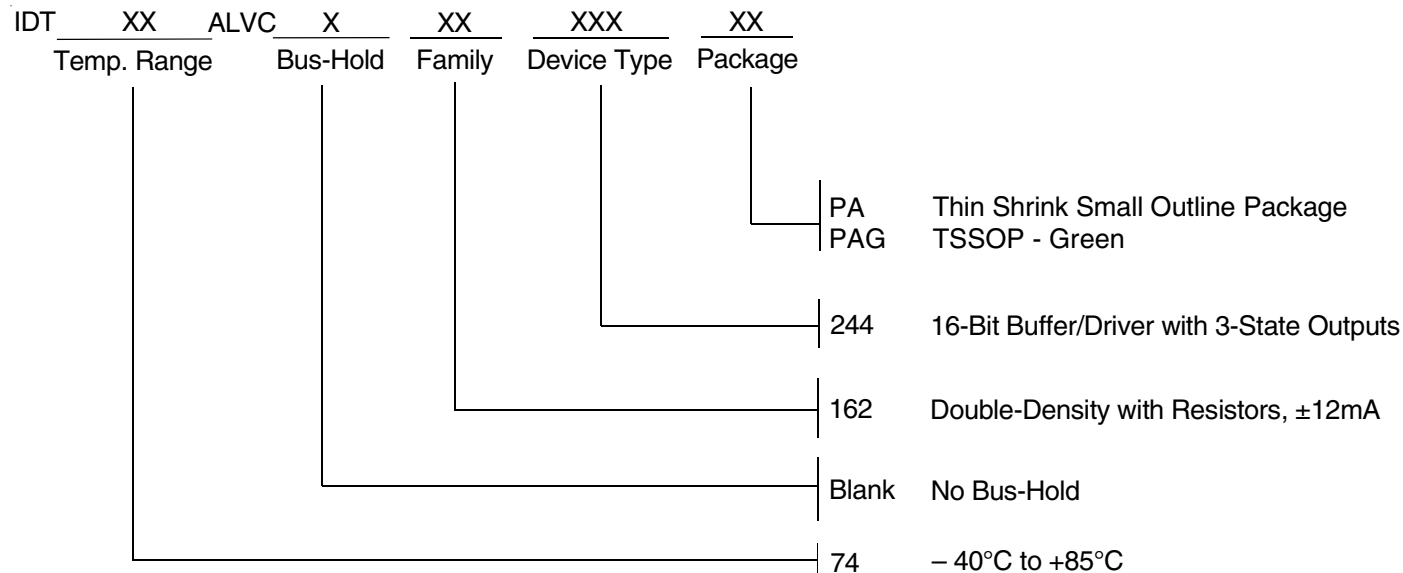


Set-up, Hold, and Release Times



Pulse Width

ORDERING INFORMATION



CORPORATE HEADQUARTERS
 6024 Silver Creek Valley Road
 San Jose, CA 95138

for SALES:
 800-345-7015 or 408-284-8200
 fax: 408-284-2775
 www.idt.com

for Tech Support:
 logichelp@idt.com