

PRODUCT CATALOG

SCHOTTKY POWER RECTIFIERS

1177 BLUE HERON BLVD. • RIVIERA BEACH, FLORIDA 33404
TEL: (407) 848-4311 • TLX: 51-3435 • FAX: (407) 863-5946

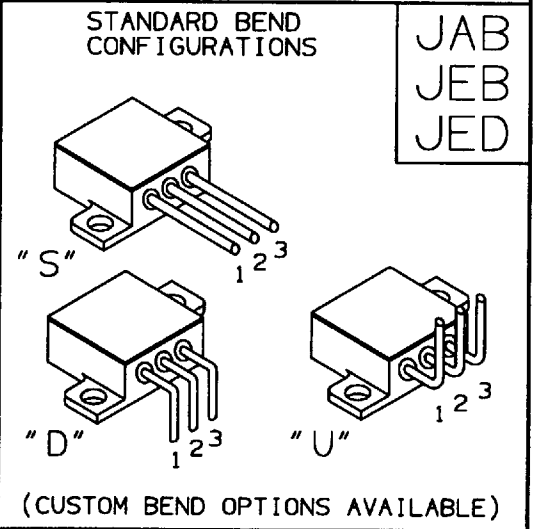
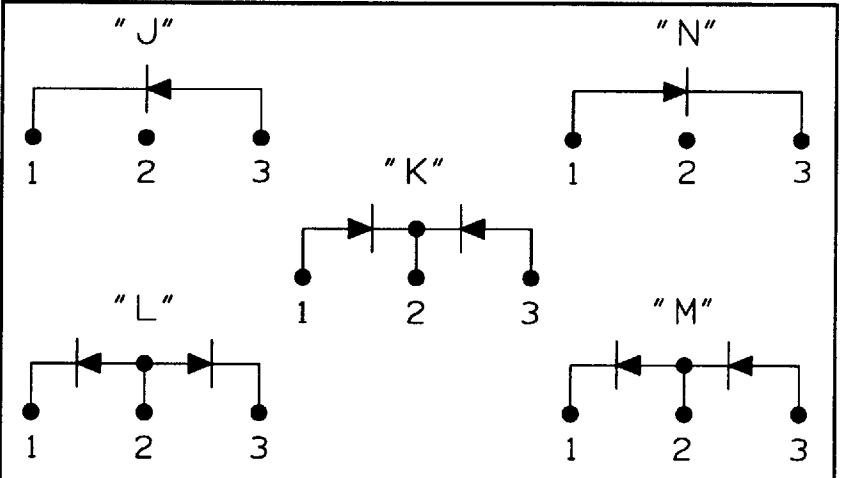
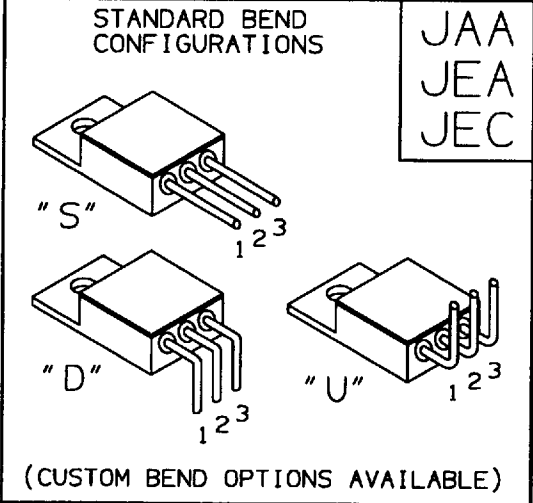
45V, 30A, 0.80V	
SDS30045	JAA
SDS30045	JAB
SDS30045	JEA
SDS30045	JEB
SDS30045	JEC
SDS30045	JED

MAXIMUM RATINGS PER DIODE			
PARAMETER	SYMBOL		UNITS
WORKING PEAK REVERSE VOLTAGE	VRRM	45	V
AVERAGE FORWARD CURRENT	IF(AV)	30	A
PEAK ONE CYCLE NON-REPETITIVE SURGE CURRENT	IFSM	380	A
PEAK REPETITIVE REVERSE CURRENT	IRRM	1.0	A
OPERATING JUNCTION TEMPERATURE RANGE	TJ	-65 TO +175	°C
STORAGE TEMPERATURE RANGE	Tstg	-55 TO +150	°C
THERMAL RESISTANCE JUNCTION TO CASE	RθJc	2.0	°C/W

- ### FEATURES
- RUGGED PACKAGE
 - HI-REL CONSTRUCTION
 - CERAMIC EYELETS
 - LEAD BENDING OPTIONS
 - COPPER CORED 52 ALLOY PINS
 - LOW IR LOSSES
 - LOW THERMAL RESISTANCE
 - OPTIONAL MIL-S-19500 OR MIL-STD-883 SCREENING

ELECTRICAL CHARACTERISTICS T _c = 25°C (UNLESS OTHERWISE SPECIFIED)				
PARAMETER	SYMBOL	TEST CONDITIONS		UNITS
MAX. PEAK FORWARD VOLTAGE ①	V _F	T _J = 25°C IFM = 30A	0.80	V
MAX. PEAK REVERSE CURRENT ①	I _{RM}	T _J = 25°C	15	mA
		T _J = 125°C	40	
CAPACITANCE	C _t	T _c = 25°C, VR = 5VDC	1400	Pf
		f = 100KHZ TO 1 MHZ		

(1) PULSE TEST: PULSE WIDTH 300μS, DUTY CYCLE 2%



PIN	"J"	"K"	"L"	"M"	"N"
1	CATHODE	ANODE	CATHODE	CATHODE	ANODE
2	NO CONN.	COMMON	COMMON	COMMON	NO CONN.
3	ANODE	ANODE	CATHODE	ANODE	CATHODE
PKG.	JAA, JAB	JEA, JEB JEC, JED	JEA, JEB JEC, JED	JEA, JEB JEC, JED	JAA, JAB

CASE = NO CONNECTION