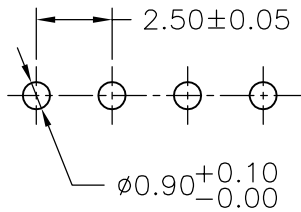
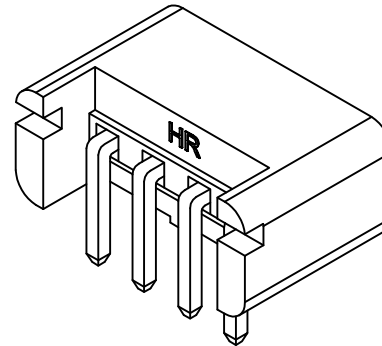


Circuit 1



P.C.B LAYOUT

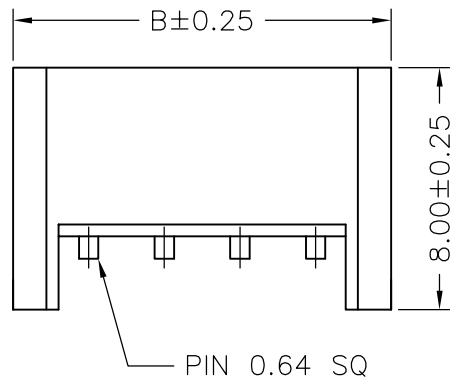


SPECIFICATIONS

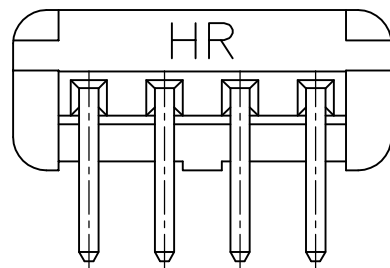
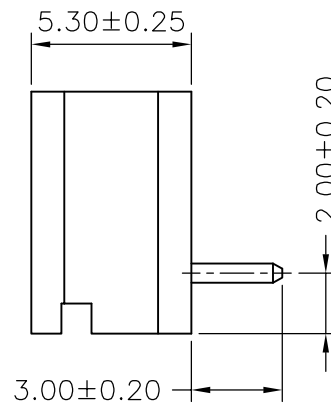
Current Rating: 3A AC,DC
 Voltage Rating: 500V AC,DC
 Temperature Range: -25°C ~ +85°C
 Contact Resistance: 20mΩ Max
 Insulation Resistance: 500MΩ Min
 Withstanding Voltage: 1000V AC/minute
 Pin Material: Brass/Tin-plated
 Material: PBT,UL94V-0
 Color: Natural(Black)

Ordering Information & Dimensions

PART NO.	Dimensions	
	A	B
A2507WR-02P	2.50	7.50
A2507WR-03P	5.00	10.00
A2507WR-04P	7.50	12.50
A2507WR-05P	10.00	15.00
A2507WR-06P	12.50	17.50
A2507WR-07P	15.00	20.00
A2507WR-08P	17.50	22.50
A2507WR-09P	20.00	25.00
A2507WR-10P	22.50	27.50
A2507WR-11P	25.00	30.00
A2507WR-12P	27.50	32.50
A2507WR-13P	30.00	35.00
A2507WR-14P	32.50	37.50
A2507WR-15P	35.00	40.00



PIN 0.64 SQ



				UNIT		SCALE	SHEET	TITLE:
				mm		1 of 1	2.50mm PITCH 90° WAFER	
		DRAWN BY		APPROVED BY				DRAW NO. : A2507WR-XP
		蕭惠風		謝瑞清				
		2004.04.07		2004.04.07				
B2	REVISE	2007.03.05	GENERAL TOLERANCE					
B1	REVISE	2005.11.23	X. X±0.25	ANGLE±				
B0	NEW RELEASE	2005.10.22	X. XX±0.15					
REV.	DESCRIPTION	DATE	X. XXX±0.05					