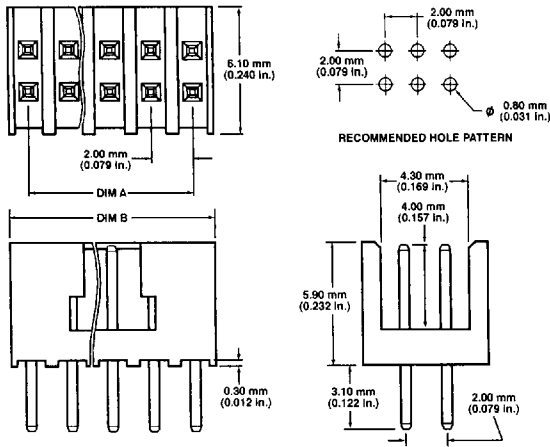
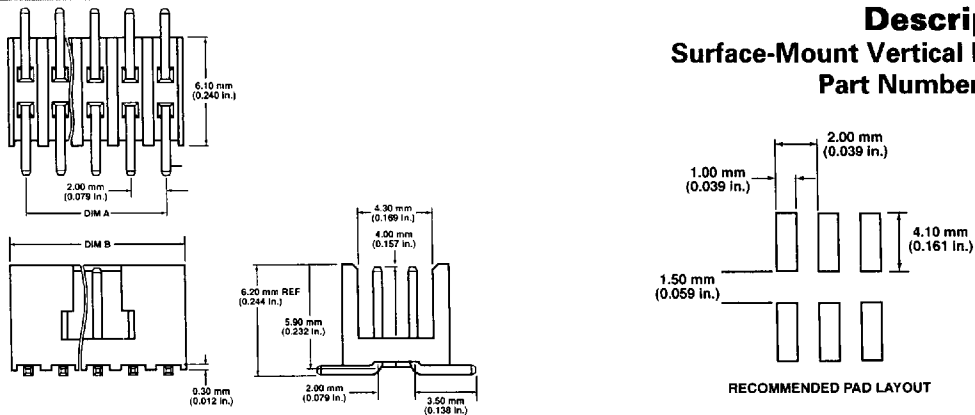


Description
Through-Mount Vertical Header
Part Number 90309



Description
Surface-Mount Vertical Header
Part Number 95615



Ordering Data
Vertical Headers
Part Number 90309 Through-Mount
Part Number 95615 Surface-Mount

Base number specifies configuration.



Dash number specifies plating (X) and number of positions (YY).

Dash Number
X: Plating

No. of Positions	Dash Number	1 = 0.76 μ m (30 μ in.) gold		5 = 0.38 μ m (15 μ in.) GXT™	
		Dimension A		Dimension B	
		mm	in.	mm	in.
0 = 0.20 μ m (8 μ in.) gold					
2 x 2*	X04	2.00	0.079	4.00	0.157
2 x 3	X06	4.00	0.157	6.00	0.236
2 x 4	X08	6.00	0.236	8.00	0.315
2 x 5	X10	8.00	0.315	10.00	0.394
2 x 6	X12	10.00	0.394	12.00	0.472
2 x 7	X14	12.00	0.472	14.00	0.551
2 x 8	X16	14.00	0.551	16.00	0.630
2 x 9	X18	16.00	0.630	18.00	0.709
2 x 10	X20	18.00	0.709	20.00	0.787
2 x 11	X22	20.00	0.787	22.00	0.866
2 x 12	X24	22.00	0.866	24.00	0.945
2 x 13	X26	24.00	0.945	26.00	1.024
2 x 14	X28	26.00	1.024	28.00	1.102
2 x 15	X30	28.00	1.102	30.00	1.181
2 x 16	X32	30.00	1.181	32.00	1.260
2 x 17	X34	32.00	1.260	34.00	1.339

* Note: 2 x 2 header has single latching feature and no center keyway.

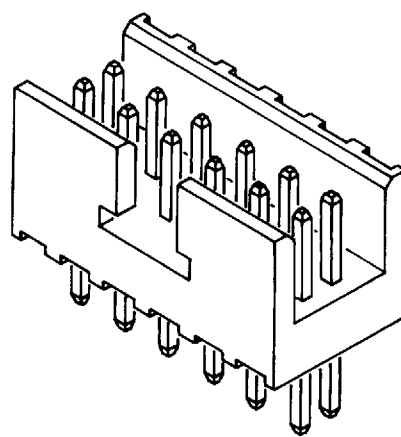
Polarization may be customized to suit individual applications.

Ordering data shown is for our standard product offering. For non-standard or custom products, contact your authorized Berg Electronics representative.

Shrouded Headers

2.00 x 2.00 mm (0.079 x 0.079 in.)
Centerlines

Minitek™ Vertical Headers Through-Mount and Surface-Mount Double-Row



Features

- 2 x 2 through 2 x 17 positions.
- Two-wall shroud protects pins from damage.
- Shroud provides latching keyway for keyed Minitek™ receptacles
- 0.50 mm (0.020 in.) square drawn wire pin provides four smooth mating surfaces.
- High-temperature plastic for wave or reflow soldering
- Standoffs provide clearance for easy cleaning after soldering.

Options

- Polarization by omitting pins.
- Tape-and-reel packaging for surface-mount headers


Mating Data


Berg Electronics Products	Page
▪ Minitek™ 4.50 mm (in.) tall vertical receptacles	9-26
▪ Minitek™ crimp-to-wire receptacle and housing assembly	9-43 to 9-46
▪ Minitek™ 2.00 mm (0.079 in.) IDC receptacles	9-48

Specifications

- JIS-5020
- MIL-STD-202

Approvals and Certifications

 File no. E66906

 File no. LR46923

Technical Data

Materials

- Housing LCP (UL 94 V-0)
 - ▶ Color Cream
 - ▶ Applicable soldering processes. Wave, IR, vapor-phase
- Pin Phosphor-bronze

Operating Environment

- Temperature range -40°C to +105°C

Plating

- Underplate 1.27 µm (50 µin.) min nickel
- Finish
 - ▶ Pin 0.20 µm (8 µin.) min gold or 0.76 µm (30 µin.) min gold or 0.38 µm (15 µin.) min GXT™

Electrical Performance

- Insulation resistance 1000 MΩ min
- Withstanding voltage 650 V rms
- Current rating 2 amp continuous
- Contact resistance 25 mΩ max
- Voltage rating 200 V ac/dc

Mechanical Performance

- Durability (mating cycles) 100

Packaging

- Bags

Customer Support Materials

Description	Order No.	Description	Order No.
Customer Product Drawings	By Part No.	Product Bulletin	950522-001
Product Samples	By Part No.	Product Specifications	DPS-12-011