

2.0mm (0.079") Dual Body Pin Header

Dual Body Type

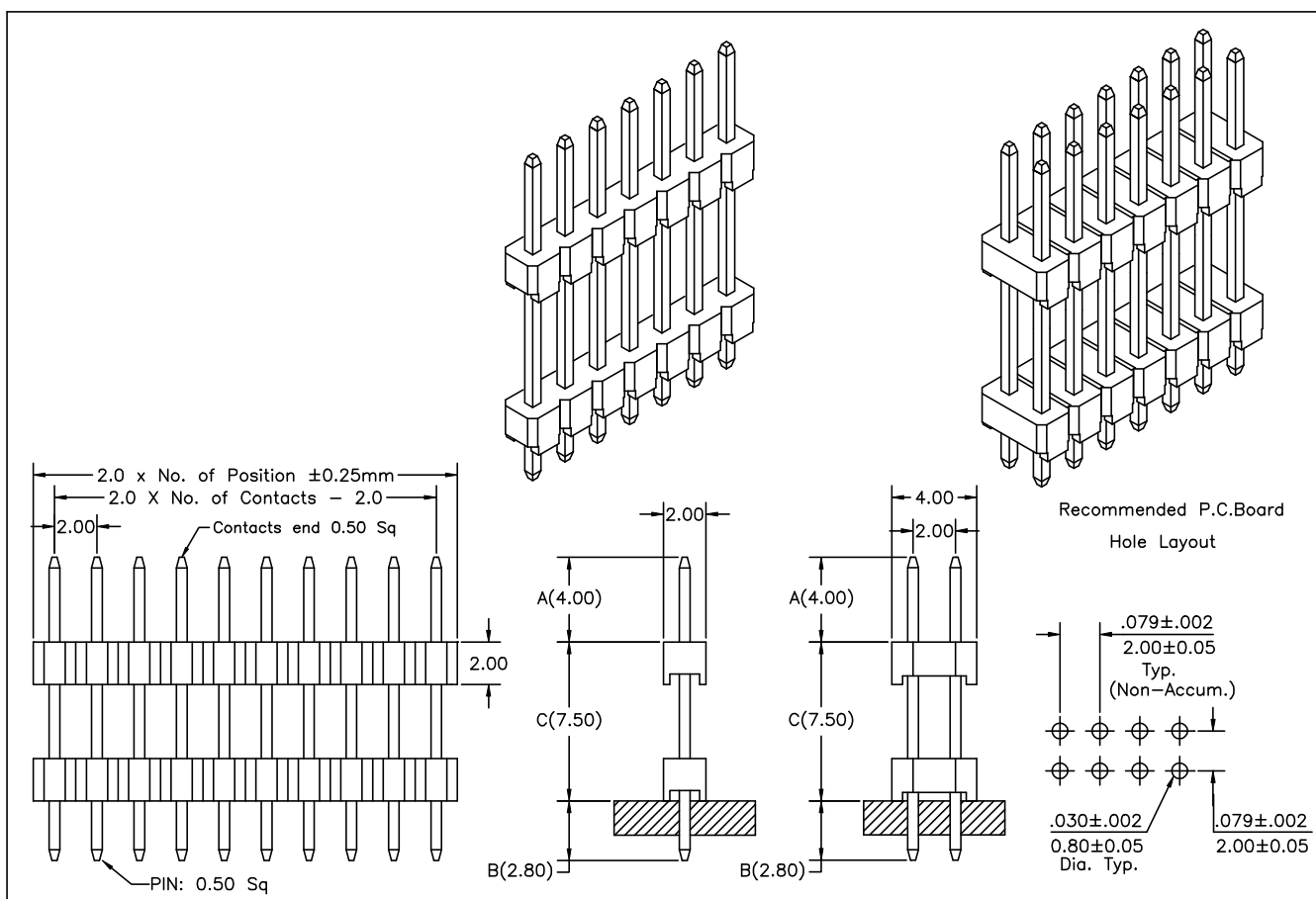
1204X Series

APPLICATION AND FEATURES

1. Side and end stackable (on unbroken edges).
2. Notches for easy breakable.
3. Maintain the dimension between two P.C.Boards.
4. Provides a means of electronically connecting two discrete boards.
5. Variable pin length, gold or tin plated.
6. Standoffs facilitate post soldering clean.

SPECIFICATIONS

Current Rating: 1 Amp
 Insulator resistance: 5000 Megohms min.
 Dielectric withstanding: AC 500 V
 Operating Temperature: -40° to +105°C
 Contact Material: Brass
 Insulator Material: Polyester, UL 94V-0
 ©Standard: P.B.T



Order Information 1204 Series

Example: 1204S - 34 - S - 02 - A/C/B

Series No.	Number of Contacts	Connector Type	Contact Plating	Pin Length mm		
				A	C	B
1204S	02 to 80 Contacts	Straight	Tin Plated 01	4.0	7.5	2.8
1204S (Single Row)	02 to 40 Contacts		Gold Plated			
			Flash 02			
1204D (Dual Row)	04 to 80 Contacts		10 μ" 10			
			30 μ" 30			