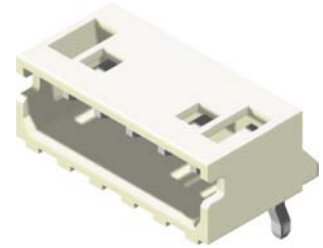


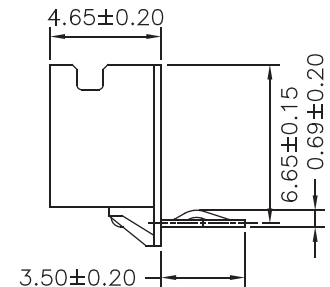
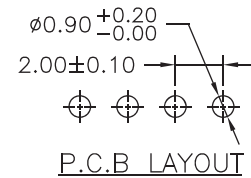
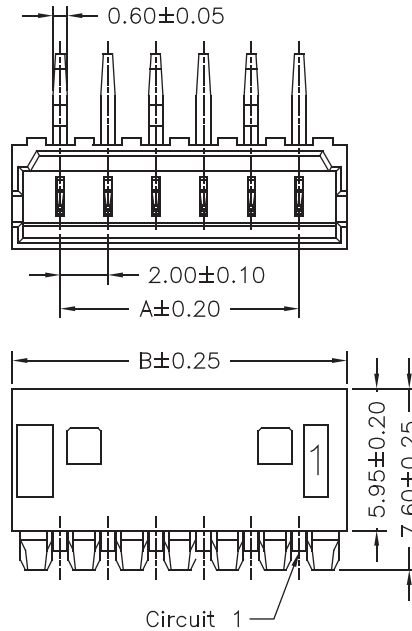
2.0mm Wafer Right Angle / Straight Type

Specifications

Current Rating: 2A AC,DC
 Voltage Rating: 125V AC,DC
 Temperature Range: -25°C to +85°C
 Contact Resistance: 20mΩ Max
 Insulation Resistance: 1000MΩ Min
 Withstanding Voltage: 800V AC/minute
 Terminal: Phosphor Brass / Tin Plated
 Material: Nylon 66,UL94V-0



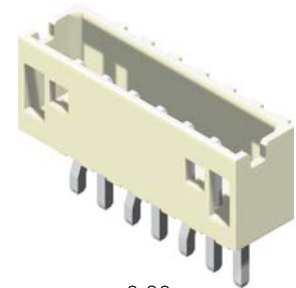
Part No.	Dimensions	
	A	B
2002R-02TW-L	2.00	6.00
2002R-03TW-L	4.00	8.00
2002R-04TW-L	6.00	10.00
2002R-05TW-L	8.00	12.00
2002R-06TW-L	10.00	14.00
2002R-07TW-L	12.00	16.00
2002R-08TW-L	14.00	18.00
2002R-09TW-L	16.00	20.00
2002R-10TW-L	18.00	22.00
2002R-11TW-L	20.00	24.00
2002R-12TW-L	22.00	26.00
2002R-13TW-L	24.00	28.00
2002R-14TW-L	26.00	30.00
2002R-15TW-L	28.00	32.00



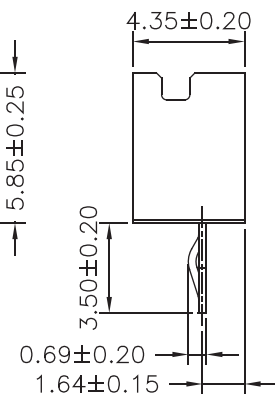
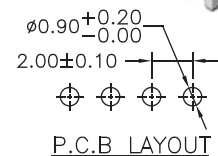
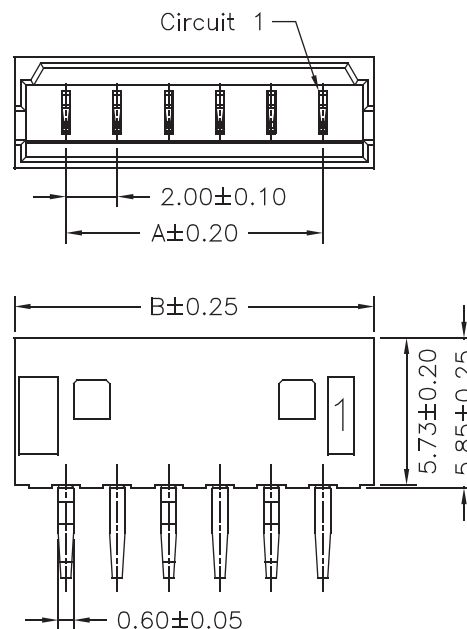
Part No.:2002R-XXTW-L

Specifications

Current Rating: 2A AC,DC
 Voltage Rating: 125V AC,DC
 Temperature Range: -25°C to +85°C
 Contact Resistance: 20mΩ Max
 Insulation Resistance: 1000MΩ Min
 Withstanding Voltage: 800V AC/minute
 Terminal: Phosphor Brass / Tin Plated
 Material: Nylon 66,UL94V-0



Part No.	Dimensions	
	A	B
2002S-02TW-L	2.00	6.00
2002S-03TW-L	4.00	8.00
2002S-04TW-L	6.00	10.00
2002S-05TW-L	8.00	12.00
2002S-06TW-L	10.00	14.00
2002S-07TW-L	12.00	16.00
2002S-08TW-L	14.00	18.00
2002S-09TW-L	16.00	20.00
2002S-10TW-L	18.00	22.00
2002S-11TW-L	20.00	24.00
2002S-12TW-L	22.00	26.00
2002S-13TW-L	24.00	28.00
2002S-14TW-L	26.00	30.00
2002S-15TW-L	28.00	32.00



Part No.:2002S-XXTW-L