

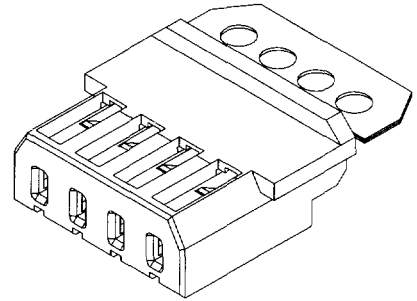
molex® 2.00mm (.079")

Wire-to-Board Connector

30452

Single Row

IDT Connector



FEATURES AND SPECIFICATIONS

Features and Benefits

- Low profile 2.0mm spacing
- Current carrying capability same as KK100
- IDT termination allows for mass termination
- Insulation crimp provides strain relief
- Phosphor Bronze contacts
- Intermatable with 53014, 53015 and 53025

Reference Information

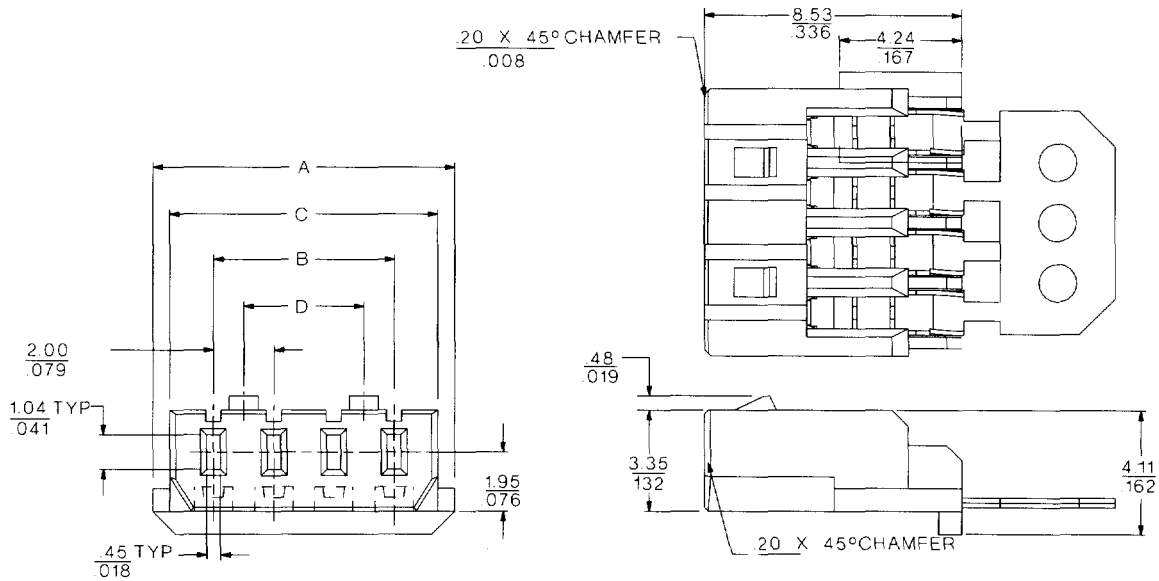
Product Specification: PS-30452-0000
 Packaging: Mylar bandolier pockets
 UL File No.: E29179
 CSA File No.: L219980
 Mates With: 53014, 53015 and 53025
 Designed In: Millimeters
 Uses Molex Cable: 24462

Electrical

Voltage: 250V DC or AC peak
 Current: 2.5A max.
 Contact Resistance: 10mΩ max.
 Dielectric Withstanding Voltage: 1500V
 Insulation Resistance: >5000 MΩ min.

Physical

Housing: Glass-filled polyester, UL 94V-0
 Contact: Phosphor Bronze
 Plating: Pre-plate Tin/Lead dip



ORDERING INFORMATION AND DIMENSIONS

| Circuits | Order No. | Dimension | | | |
|----------|------------|---------------|---------------|---------------|---------------|
| | | A | B | C | D |
| 4 | 30452-0400 | 9.87 (.389) | 6.00 (.236) | 8.90 (.350) | 4.00 (.157) |
| 5 | 30452-0500 | 11.87 (.467) | 8.00 (.315) | 10.90 (.429) | 6.00 (.236) |
| 6 | 30452-0600 | 13.87 (.546) | 10.00 (.394) | 12.90 (.508) | 8.00 (.315) |
| 7 | 30452-0700 | 15.87 (.625) | 12.00 (.472) | 14.90 (.587) | 10.00 (.394) |
| 8 | 30452-0800 | 17.87 (.704) | 14.00 (.551) | 16.90 (.665) | 12.00 (.472) |
| 9 | 30452-0900 | 19.87 (.782) | 16.00 (.630) | 18.90 (.744) | 14.00 (.551) |
| 10 | 30452-1000 | 21.87 (.861) | 18.00 (.709) | 20.90 (.823) | 16.00 (.630) |
| 11 | 30452-1100 | 23.87 (.940) | 20.00 (.787) | 22.90 (.902) | 18.00 (.709) |
| 12 | 30452-1200 | 25.87 (1.019) | 22.00 (.866) | 24.90 (.980) | 20.00 (.787) |
| 13 | 30452-1300 | 27.87 (1.097) | 24.00 (.945) | 26.90 (1.059) | 22.00 (.866) |
| 14 | 30452-1400 | 29.87 (1.176) | 26.00 (1.024) | 28.90 (1.138) | 24.00 (.945) |
| 15 | 30452-1500 | 31.87 (1.255) | 28.00 (1.102) | 30.90 (1.217) | 26.00 (1.024) |
| 16 | 30452-1600 | 33.87 (1.333) | 30.00 (1.181) | 32.90 (1.295) | 8.00 (.315) |
| 17 | 30452-1700 | 35.87 (1.412) | 32.00 (1.260) | 34.90 (1.374) | 10.00 (.394) |
| 18 | 30452-1800 | 37.87 (1.491) | 34.00 (1.339) | 36.90 (1.453) | 12.00 (.472) |
| 19 | 30452-1900 | 39.87 (1.570) | 36.00 (1.417) | 38.90 (1.531) | 14.00 (.551) |
| 20 | 30452-2000 | 41.87 (1.648) | 38.00 (1.496) | 40.90 (1.610) | 16.00 (.630) |
| 21 | 30452-2100 | 43.87 (1.727) | 40.00 (1.575) | 42.90 (1.689) | 18.00 (.709) |