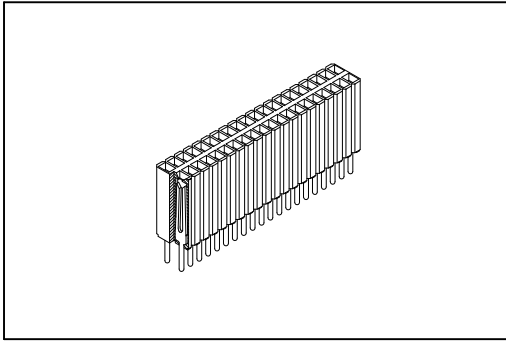


2246 Series

P.C.B. Socket 1.27mmX2.54mm(0.050"X0.100")



Material:

Housing: High Temperature Plastic UL94V-0.

Contacts: Copper Alloy.

Electrical Characteristics:

Current Rating: 1 A.

Dielectric Withstanding Voltage: AC 500V.

Insulator Resistance: 1000MΩ min.

Contact Resistance: 20mΩ max.

Operating Temperature: -40°C~+105°C.

Features:

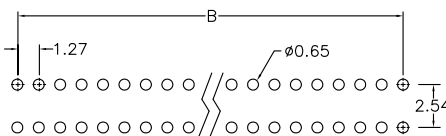
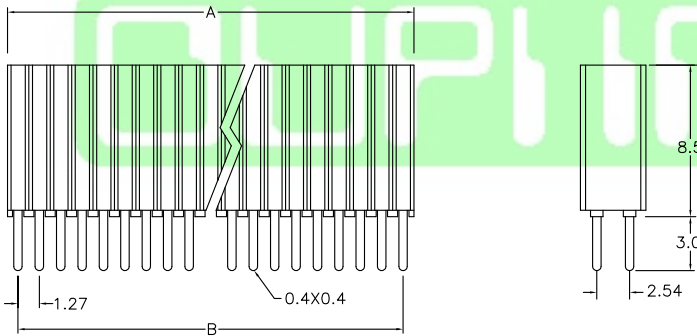
* Straight Type.

* High profile 8.5mm(0.335").

* Mates with 0.46mm(0.018") square pin.

* Additional plating options available.

Mates with: 2211,2212,2214.



P.C. Board Layout

Position Dimension	4 Thru 70
A	1.27 X No. of Positions /2
B	1.27 X No. of Positions /2-1.27

Ordering information

2246- 2 X 35 G 00 S U
 Series Double Row No. of Pin Per Row G: Gold Plated 00: G/F S: Straight U: Tube Package