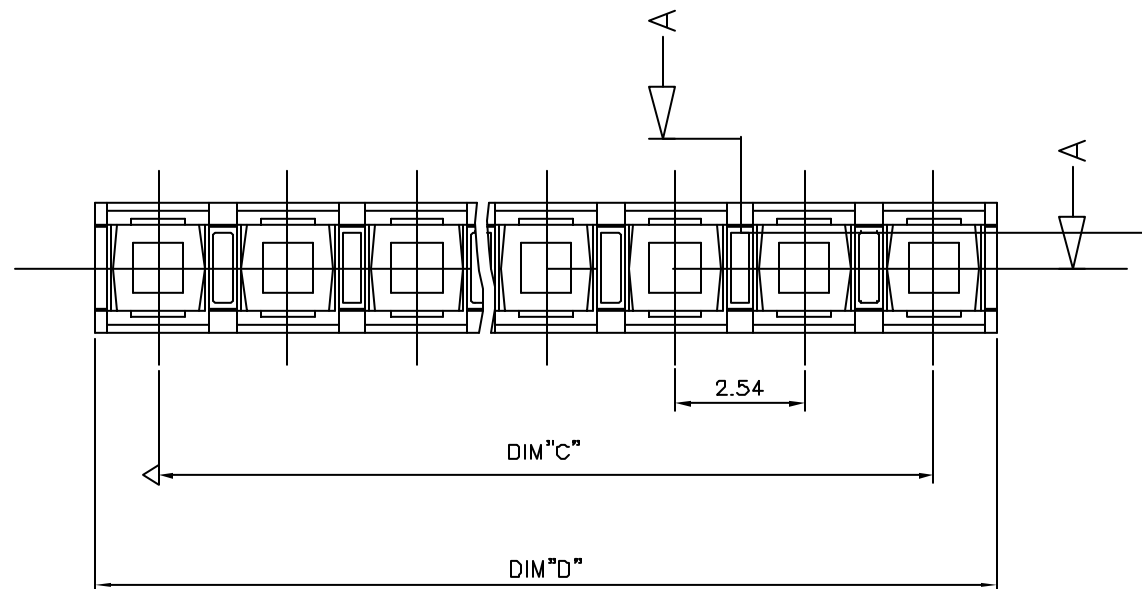
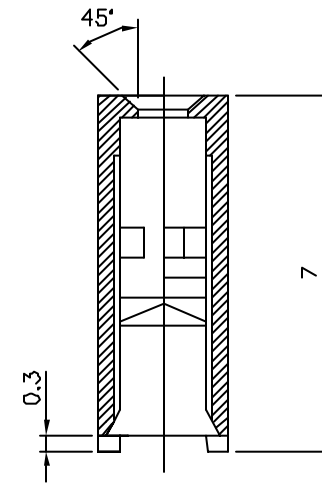
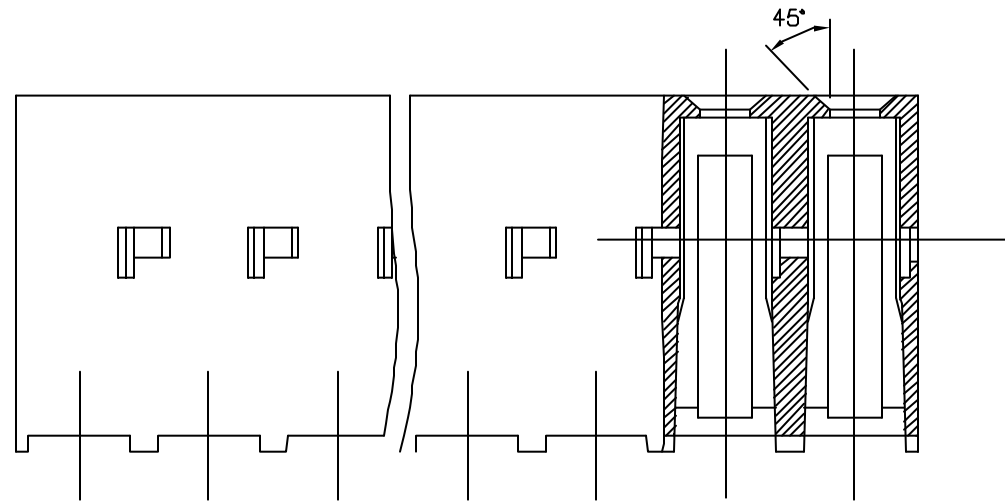
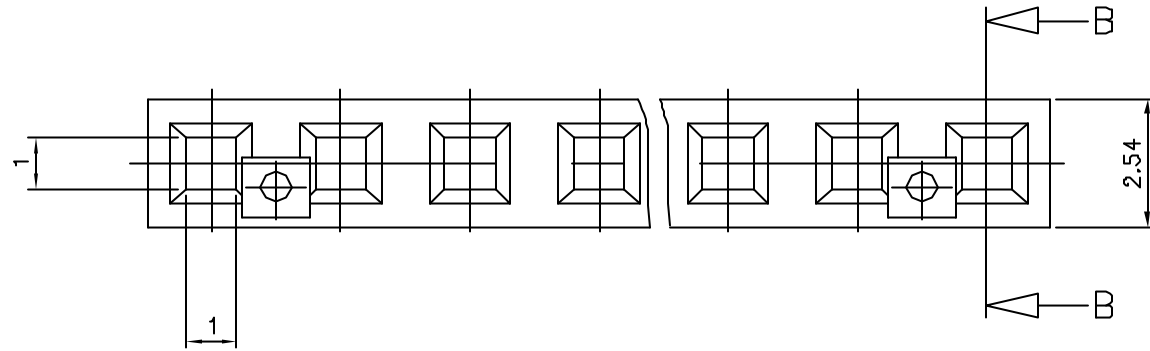


PRODUCT NUMBER	MATERIAL	DIM "C" & DIM "D"
65235-9XXLF	SEE NOTE 1	SEE SHEET 2

WHEN NEEDED, SUFFIX LETTER "LF" INDICATES THE PRODUCT IS RoHS COMPLIANT, SEE NOTE 3.



NOTES:

- 1 - MATERIAL HOUSING: TERMOPLASTIC POLYESTER, 30% GLASS FILLED COLOUR BLUE, FLAME RETARDANT PER UL-94 CATEGORY V0.
 - 2 - ABOVE 25 POS. ON SPECIAL REQUEST.
 - 3 - RoHS COMPATIBLE PRODUCT SPECIFICATIONS
 - a - LABELING:
 - MEETS PACKAGING SPECS AS PER GS-14-920
 - b - LEGAL STATEMENT: SEE GS-22-008
- THE PRODUCT IS NOT INTENDED TO BE EXPOSED TO A MANUFACTURING SOLDER PROCESS.

CUSTOMER DRAWING FOR REFERENCE ONLY

mat'l. code SEE NOTES		surface ISO 1302	tolerance ISO 416 ISO 101	projection mm	product family DUBOX VCC SR
Ltr	ecr no	dr	date	tolerances unless otherwise specified	title HOUSING
A	F60855	PNZ	96.09.19	Linear	scale 10:1
B	FDS-0284	DLE	03.10.07		dwg no 65235
C	FD6-0188	DLE	06.06.13		sheet 1 of 2 A3
		dr	P.NIZZI	96.09.19	type CUSTOMER
		engr	JM.PHAWVAN	96.09.19	Drawing
		chr	P.NIZZI	96.09.19	
		appd	JMP	96.09.19	
sheet index	revision sheet	C	B		
	1	2			

PRODUCT NUMBER	NB OF POS.	DIM"C"	DIM"D"
65235-902LF	1x02	2.54	5.00
65235-903LF	1x03	5.08	7.54
65235-904LF	1x04	7.62	10.08
65235-905LF	1x05	10.16	12.62
65235-906LF	1x06	12.70	15.16
65235-907LF	1x07	15.24	17.70
65235-908LF	1x08	17.78	20.24
65235-909LF	1x09	20.32	22.78
65235-910LF	1x10	22.86	25.32
65235-911LF	1x11	25.40	27.86
65235-912LF	1x12	27.94	30.40
65235-913LF	1x13	30.48	32.94
65235-914LF	1x14	33.02	35.48
65235-915LF	1x15	35.56	38.02
65235-916LF	1x16	38.10	40.56
65235-917LF	1x17	40.64	43.10
65235-918LF	1x18	43.18	45.64
65235-919LF	1x19	45.72	48.18
65235-920LF	1x20	48.26	50.72
65235-921LF	1x21	50.80	53.26
65235-922LF	1x22	53.34	55.80
65235-923LF	1x23	55.88	58.34
65235-924LF	1x24	58.42	60.88
65235-925LF	1x25	60.96	63.42
65235-926LF	1x26	63.50	65.96

PRODUCT NUMBER	NB OF POS.	DIM"C"	DIM"D"
65235-927LF	1x27	66.04	68.50
65235-928LF	1x28	68.58	71.04
65235-929LF	1x29	71.12	73.58
65235-930LF	1x30	73.66	76.12
65235-931LF	1x31	76.20	78.66
65235-932LF	1x32	78.74	81.20
65235-933LF	1x33	81.28	83.74
65235-934LF	1x34	83.82	86.28
65235-935LF	1x35	86.36	88.82
65235-936LF	1x36	88.90	91.36
65235-937LF	1x37	91.44	93.90
65235-938LF	1x38	93.98	96.44
65235-939LF	1x39	96.52	98.98
65235-940LF	1x40	99.06	101.52
65235-941LF	1x41	101.60	104.06
65235-942LF	1x42	104.14	106.60
65235-943LF	1x43	106.68	109.14
65235-944LF	1x44	109.22	111.68
65235-945LF	1x45	111.76	114.22
65235-946LF	1x46	114.30	116.76
65235-947LF	1x47	116.84	119.30
65235-948LF	1x48	119.38	121.84
65235-949LF	1x49	121.92	124.38
65235-950LF	1x50	124.46	126.92

mat'l. code		surface		Folerance		projection		product family	
		ISO 1312		ISO 416		1st		DX VCC SR	
Ltr	ecr no	dr	date	tolerances unless otherwise specified				title	
A	F80655	PNZ	08.09.10	angle	linear	.0±.x	HOUSING		
B	F08-0198	DLE	08.06.13			.00±.0x	mm		
				σ±.x		.000±.00x	scale N/A		
		dr	D. LEGRAND	08.08.12			dwg no		
		engr	P. NIZZI	06.06.12			sheet 2 of 2		
		chr	D. LE	08.08.12			65235		
		appd	P. NZ	06.06.12			size		
sheet index		revision sheet						A2	
								Type Product Customer Drawing	