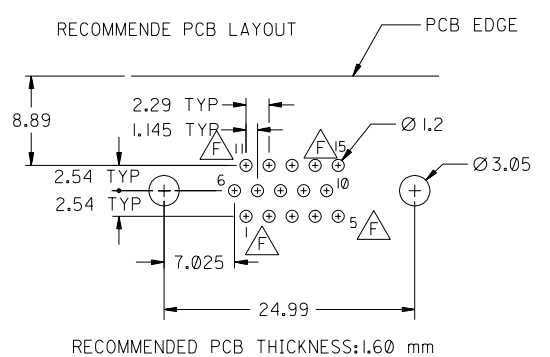
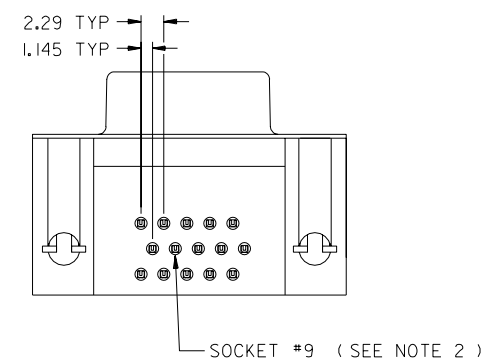
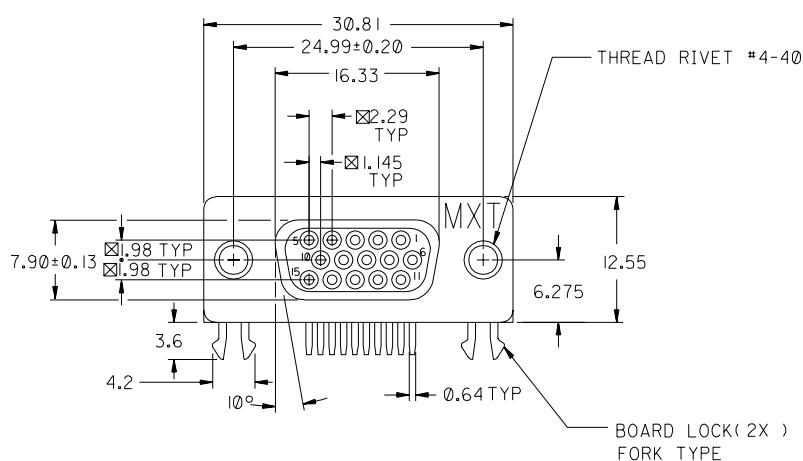
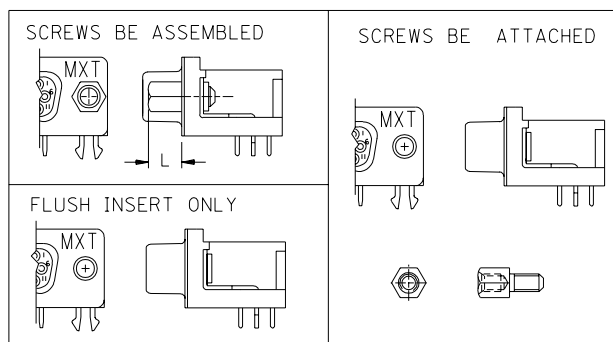
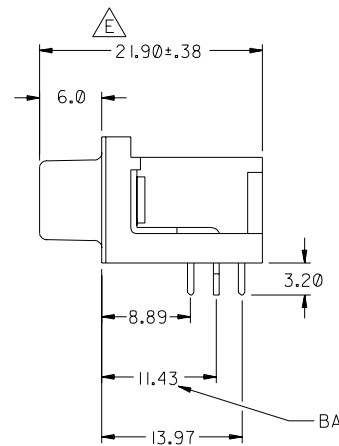


DO NOT SCALE DRAWING
 CAD FILE : S8926367
 SIMILAR ITEM
 EDP NO.
 ENG. NO
 SDA-89263-67**



NOTES:
 1.MATERIALS:
 INSULATOR - POLYESTER GLASS FIBER FILLED,UL-94V-0,COLOR :ROYAL BLUE
 CONTACT - PHOSPHOR BRONZE
 2.SOCKET #9 IS MOVED BACK 1.27MM FOR DDC COMPATIBILITY
 3.THIS PART CONFORMS TO PRODUCT SPECIFICATION:PS-89263



PART NUMBER LEGEND
 89263-6 7 * *
 PLATING SCREW OPTION
 4 : 30 MICROINCH MINIMUM GOLD IN CONTACT AREA
 NICKEL ALL OVER AND 100 MICROINCH
 TIN/LEAD ON TAILS
 5 : 15 MICROINCH MINIMUM GOLD IN CONTACT AREA
 NICKEL ALL OVER AND 100 MICROINCH
 TIN/LEAD ON TAILS
 6 : GOLD FLASH ALL OVER
 7 : GOLD FLASH IN CONTACT AREA
 NICKEL ALL OVER AND 100 MICROINCH
 TIN/LEAD ON TAILS
 2: Flush insert only
 3: 2 pcs #4-40 inner thread screw assembled (L=5mm)
 4: 2 pcs M2.6 inner thread screw assembled (L=5mm)
 5: 2 pcs M3 inner thread screw assembled (L=5mm)
 6: 2 pcs #4-40 inner thread screw attached (L=5mm)
 7: 2 pcs M2.6 inner thread screw attached (L=5mm)
 8: 2 pcs M3 inner thread screw attached (L=5mm)
 9: 2 pcs #4-40 inner thread screw assembled (L=6mm)

F	CORRECT THE PIN ASSIGNMENT	1204-083	TWU	031203	MATERIAL :	SEE NOTES	 MOLEX TAIWAN LTD. SHEET 1 OF 1
E	ADD A SCREW OPTION	T03-011	V. LIN	020717	FINISH :		
D	ADD A PLATING OPTION	T02-227	V. LIN	020401	WIRE RANGE :	GENERAL TOLERANCES ANGLE : ± 3° DIM : ± .25/.010	
C	RELEASE TO MANUFACTURING	T97-381	NEIL	970520	INS. RANGE :	ENG. NO.: SDA-89263-67**	REV F
B	TOOLING COMPLETED	T97-016	NEIL	960807			
A1	REMOVE THE "X"	T96-179	NEIL	951120			
2	UPDATE TAIL DIM.TA95-050		R.YANG	950216			
1	ECN TA94-248,NEW RELEASE		R.YANG	941227			
LTR	REVISION RECORD	ECN	DR	DATE	DRAWN BY 941227 R.YANG	CHK'D BY	TITLE : HI-DENSITY ,15 CIRCUIT DDC COMPATIBLE D-SUB
REVISE ONLY ON CAD SYSTEM					APPR'D BY	SCALE 2:1	