

RIGHT ANGLED-SUB DSM-590 SERIES

SPECIFICATIONS

For complete specifications see www.samtec.com?DSM-590

Insulator Material:
Black High Temperature Thermoplastic

Pin Material:
Brass

Socket Material:
Phosphor Bronze

Shell Material:
Steel

Operating Temp Range:
-65°C to +125°C

Plating:
Gold Flash on Contacts, Nickel on Shell and Tin-Lead on Tails

Current Rating:
5 A per contact

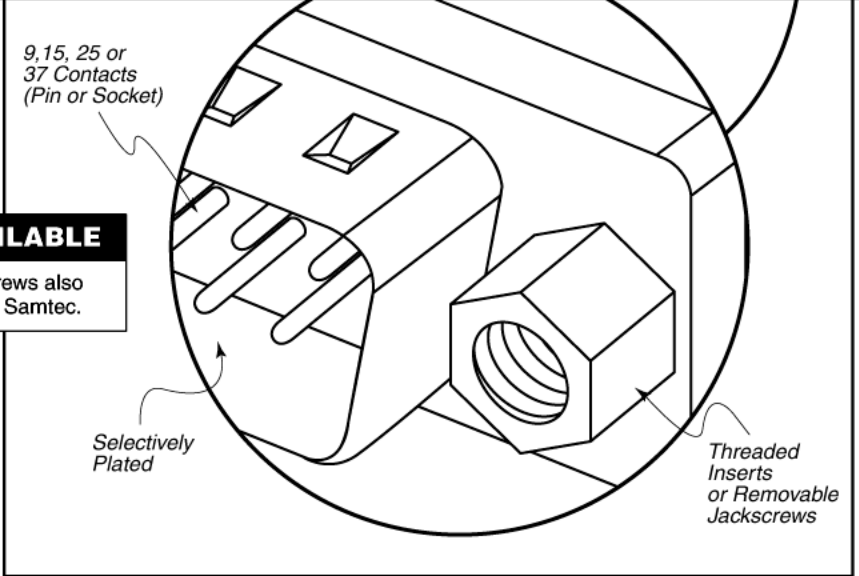
Voltage Rating:
40 VAC

Contact Resistance:
20 m max

Minimum Cycles:
1000

ALSO AVAILABLE

Metric Jackscrews also available. Call Samtec.

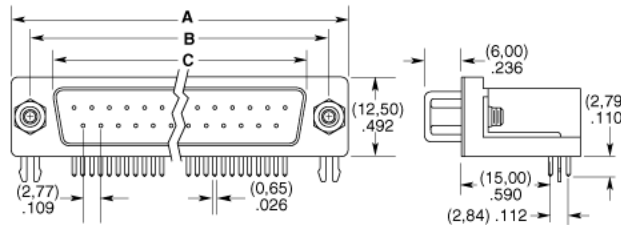
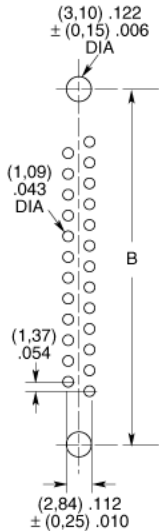


DSM 590 SHELL SIZE-POSITIONS GENDER PLATING BOARD MOUNT FACE MOUNT

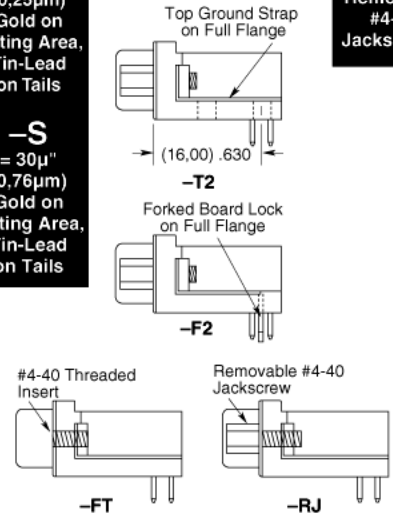
- E-09 = 9 Positions
 - A-15 = 15 Positions
 - B-25 = 25 Positions
 - C-37 = 37 Positions
- P = Pin
 - S = Socket
- F = Gold Flash on Mating Area, Tin-Lead on Tails
 - L = 10µ" (0,25µm) Gold on Mating Area, Tin-Lead on Tails
 - S = 30µ" (0,76µm) Gold on Mating Area, Tin-Lead on Tails
- T2 = Top Side Ground on Full Flange
 - F2 = Forked Board Locks on Full Flange
- FT = #4-40 Flush Threaded Inserts
 - RJ = Threaded Inserts with Removable #4-40 Jackscrews

Processing:

Suggested PCB Layouts:
For reference only. Please contact Samtec or go to www.samtec.com?DSM-590 for recommended PCB layout.



SHELL SIZE-POSITIONS	A	B	C (-P)	C (-S)
-E-09	±(0,25) .010	±(0,25) .010	±(0,25) .010	±(0,25) .010
-A-15	(30,81) 1.213	(24,99) .984	(16,92) .666	(16,33) .643
-B-25	(39,14) 1.541	(33,32) 1.312	(25,25) .994	(24,66) .971
-C-37	(53,04) 2.088	(47,04) 1.852	(38,96) 1.534	(38,38) 1.511
	(69,32) 2.729	(63,50) 2.500	(55,43) 2.182	(54,84) 2.159



Due to technical progress, all designs, specifications and components are subject to change without notice.

WWW.SAMTEC.COM